



# Elite CR-59

## Multi-Throw DC-26.5GHz

### Latching

The CR-59 Switch is a broadband, multi-throw, electromechanical coaxial switch designed to switch a microwave signal from a common input to any of 3, 4, 5, or 6 outputs. The characteristic impedance is 50 Ohms. The switches are small using the popular connector spacing on a 1.062" dia. circle. Each position has an individual actuator mechanism allowing random position selection. This also minimizes switching time.

The CR-59 comes with a latching actuator. The latching switch remains in the last position selected when the switch is de-energized. STD dual command requires a reset pulse before a new selected position. A separate reset circuit allows all positions to be set to an open position. User must provide both reset (clear) and set (select new position) commands.

**Shock:** MIL-STD-202 Method 213, Condition D (500G Non Operating)

**Vibration:** MIL-STD-202 Method 214, Condition D (10G RMS Non Operating)

**Humidity:** Moisture Seal Available

**Typical Contact Life:** 5 Million Cycles

**Insertion Loss Repeatability (1 Million Cycles):**

DC to 6 GHz: 0.05 dB

DC to 20 GHz: 0.1 dB

**RF Power Handling**

### Specifications

**RF Contacts:** Break before make

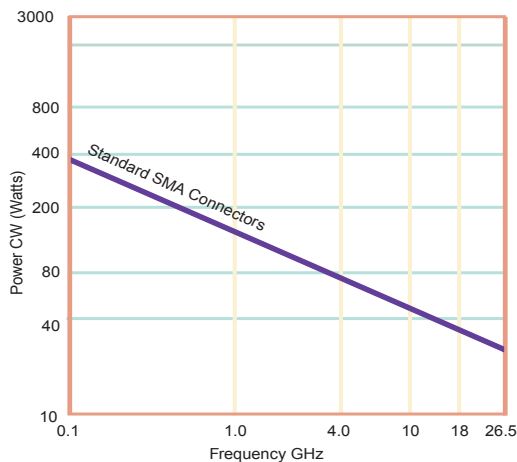
Actuator	Voltage (VDC) 20°C				
	12	15	28		
Latching Current (mA)	255	205	90		
Reset Current (mA)	Positions	3	765	615	270
		4	1020	820	360
		5	1275	1025	450
		6	1530	1230	540

**Switching Time:** 20 msec max

**Connectors:** SMA (f)

**Weight:** 6 oz. max

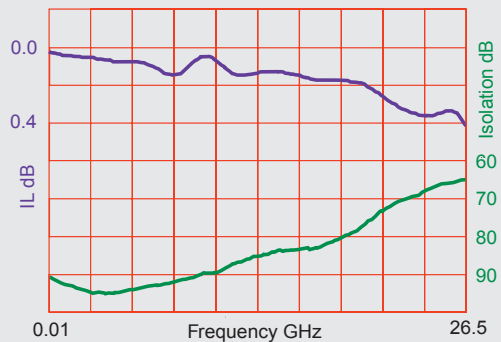
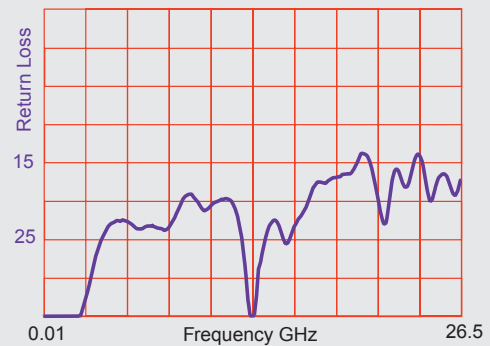
**Temperature Range:** -55°C to +85°C (Operating)



### Specifications

	DC-6 GHz	6-12 GHz	12-18 GHz	18-26.5 GHz
VSWR (max)	1.25:1	1.40:1	1.50:1	1.80:1
Insertion Loss (max)	0.20 dB	0.40 dB	0.50 dB	0.80 dB
Isolation (min)	70.0 dB	60.0 dB	60.0 dB	50.0 dB

### Typical Performance



Specifications subject to change without notice.

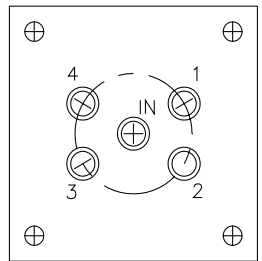
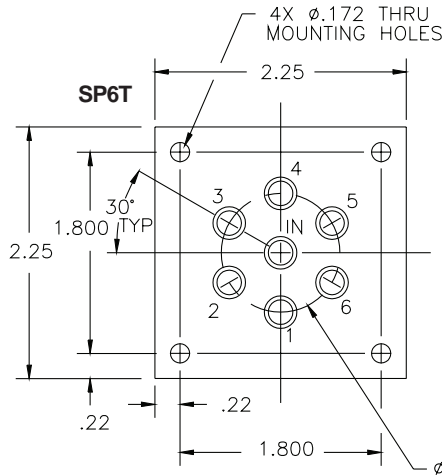
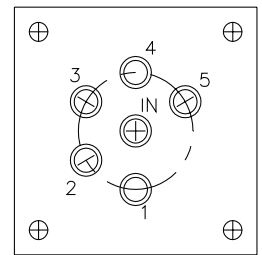
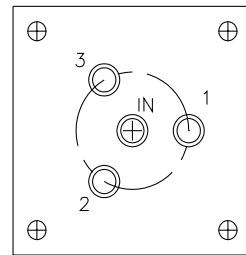
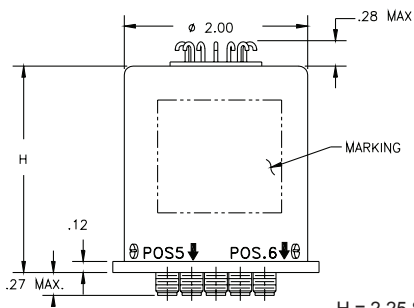
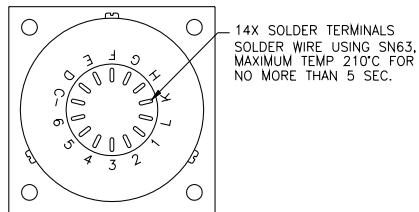
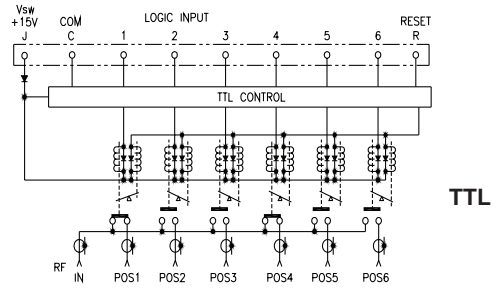
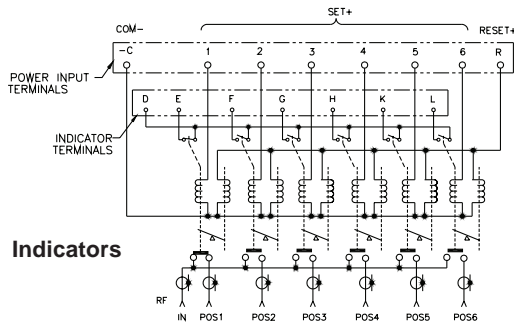
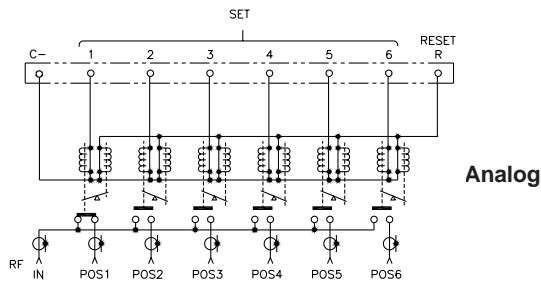
www.teledynecoax.com  
email: coax@teledyne.com

Tel: (800) 351-7368  
10/2007

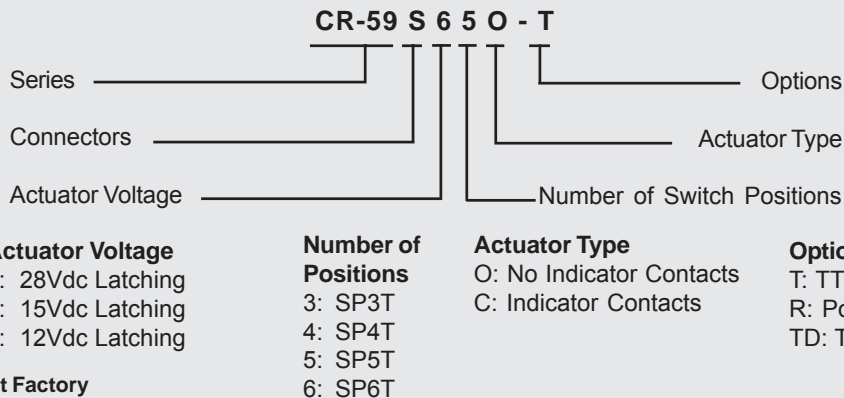
# Elite CR-59

## Multi-Throw DC-26.5GHz

### Latching



### Part Numbering System for CR-59 (Latching)



For other options contact Factory



Specifications subject to change without notice.

www.teledynecoax.com  
email: coax@teledyne.com

Tel: (800) 351-7368  
10/2007