

RER 125-19/14 NH

DC centrifugal compact fan

single-intake



ebm-papst St. Georgen GmbH & Co. KG

Hermann-Papst-Str. 1
D-78112 St. Georgen
Phone +49 (0) 7724 81-0
Fax +49 (0) 7724 81-1309
info2@de.ebmpapst.com
www.ebmpapst.com

Nominal data

Type	RER 125-19/14 NH	
Nominal voltage	VDC	24
Nominal voltage range	VDC	12 .. 28
Speed (rpm)	min ⁻¹	4000
Power consumption	W	13
Min. ambient temperature	°C	-20
Max. ambient temperature	°C	70
Air flow	m ³ /h	166
Sound power level	B	7

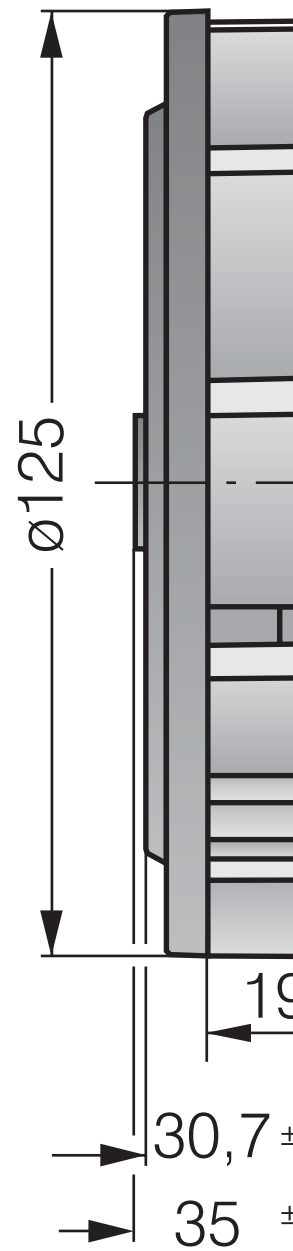
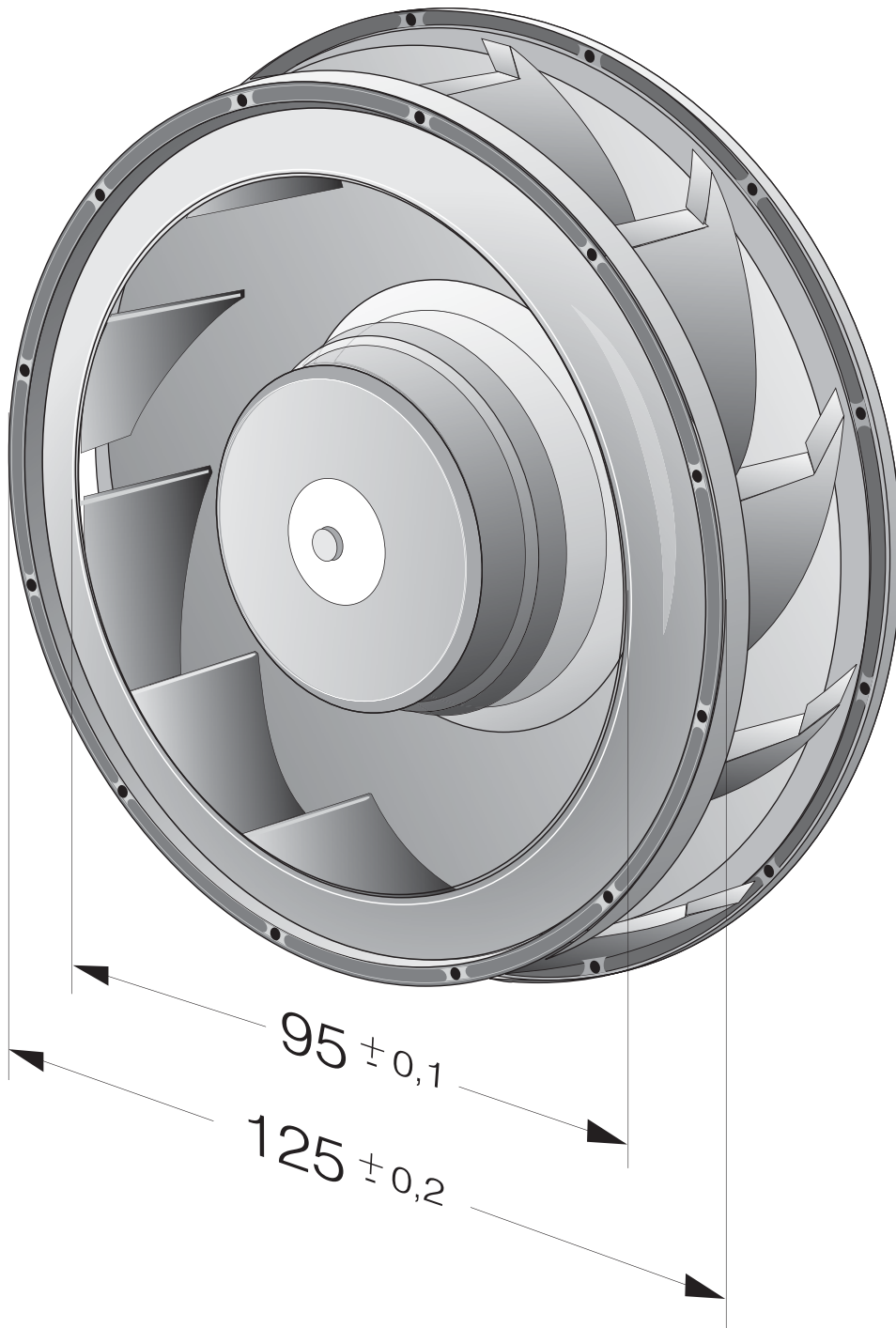
ml = Max. load · me = Max. efficiency · fa = Free air · cs = Customer specification · ce = Customer equipment
Subject to change



Technical description

General description	Backward-curved impeller
Weight	0.320 kg
Dimensions	Ø 138 x 35 mm
Impeller material	Glass-fiber reinforced plastic
Airflow direction	Axial intake, radial discharge
Direction of rotation	Clockwise, viewed toward rotor
Bearing	Ball bearing
Service life L10 at 40 °C	55000 h
Service life L10 at maximum temperature	27500 h
Cable	With leads AWG 22, TR 64
Motor protection	Protection against reverse polarity and blocked rotor.

Product drawing



6 +1



Curves: Air performance

