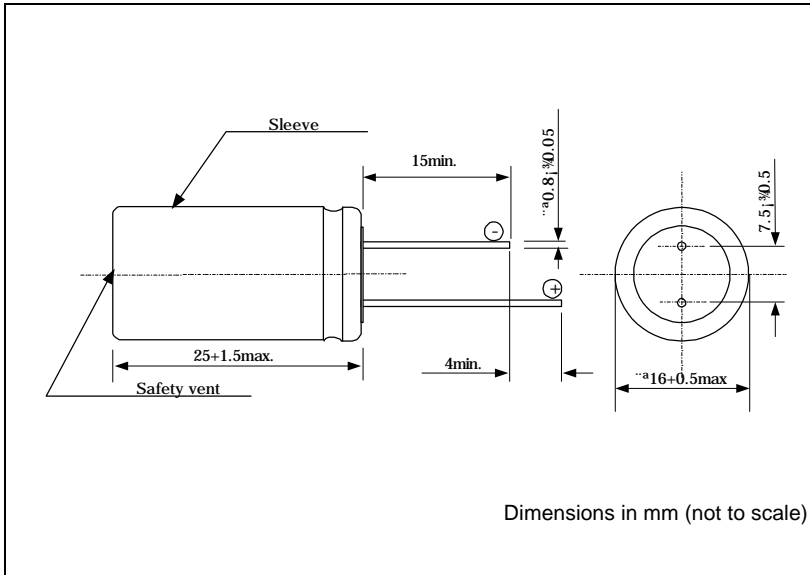


NESSCAP 25F/2.3V

ESLSR-0025C0-002R3

■ Features

- Cylindrical cell
- Radial lead terminals



■ Specifications

Rated Capacitance, C (DCC⁽¹⁾, 25°C)		25 Farads	(1) Discharging with constant current
Capacitance Tolerance		-10% / +20%	
Rated Voltage, V_R		2.3 V	
Surge Voltage		2.7 V	
Rated Current (25°C)⁽²⁾		4.8 A	(2) 5 sec discharge rate to 1/2 V_R
Max. Current (25°C)⁽³⁾		> 14.4 A	(3) 1 sec discharge rate to 1/2 V_R
Max. Stored Energy (at V_R)		66.13J (0.0184 Wh)	
Specific Energy	Gravimetric	2.36 Wh/kg	
	Volumetric	3.68 Wh/l	
Specific Power⁽⁴⁾ (at matched load)	Gravimetric	4.24 kW/kg	(4) Power density at which one-half the energy of the discharge is in the form of electricity and one-half is in heat.
	Volumetric	6.61 kW/l	
Maximum Internal Resistance (ESR)	AC (1kHz)	30 mW	
	DC (2.3A)	40 mW	
Dimensions		∅ 16 x 25 mm	
Volume		5.0 ml	
Weight		7.8 g	
Operating temperature range⁽⁵⁾		-25 ~ 60 °C	(5) ½DC½ < 30% and ESR < 4 times of initially measured value at 25°C, respectively
Storage temperature range		-40 ~ 85 °C	
Max. Leakage Current, L_C(12h, 25°C)		1.2 mA	
Life Time at RT⁽⁶⁾		10 years	(6) ½DC½ < 30% and ESR < 2 times of initially measured value, respectively and LC < specified value

© NESSCAP 2003. All Rights reserved. Design, Specifications are subject to change without notice.