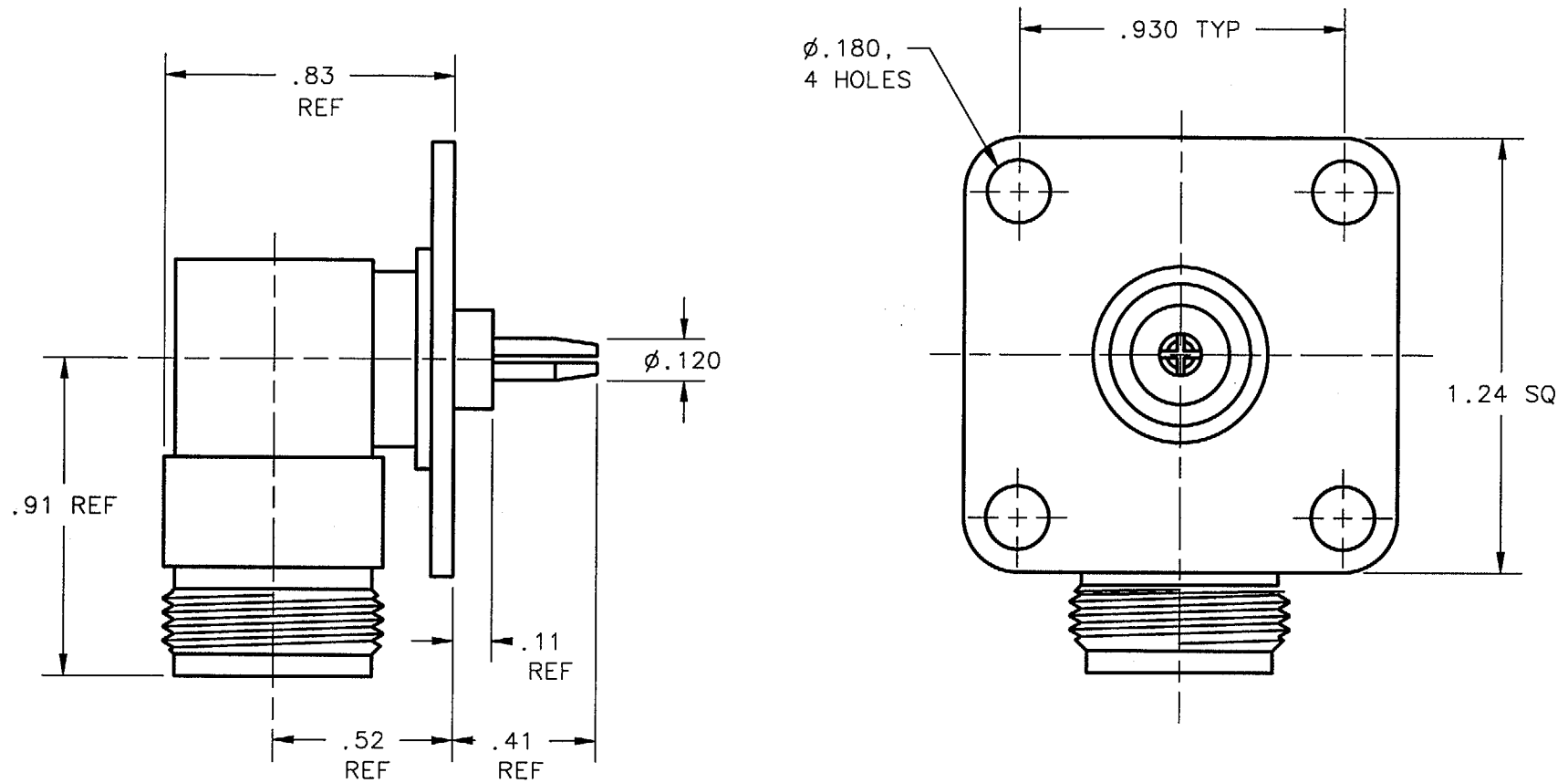


THIS DOCUMENT AND INFORMATION CONTAINED HEREIN ARE THE PROPERTY OF TRU-CONNECTOR CORP. REPRODUCTION OR USE THEREOF, IN WHOLE OR PART, IS PROHIBITED WITHOUT THE WRITTEN CONSENT OF TRU-CONNECTOR CORPORATION.

DWG. NO. TRU-7945



MATERIAL

insulators - TEFLON  
 contact - Beryllium Copper  
 body & plate - BRASS

FINISH

contact - SILVER PLATED  
 body & plate - NICKEL PLATED



CAGE-92180

TRU-CONNECTOR CORPORATION

245 LYNNFIELD STREET  
 PEABODY, MASSACHUSETTS 01960  
 phone: 978-532-0775  
 fax: 978-531-6993  
 E-mail: trusales@tru-con.com

DESCRIPTION

CONNECTOR, COAXIAL, RF  
 ADAPTER, RIGHT ANGLE  
 SERIES: N(f) TO QC(m)

DRAWN BY rmk	DATE 6/4/98	SCALE 2X	CHKD. BY <i>Koh</i>	FILE AS TRU-7945
REFERENCE	THIRD ANGLE PROJECTION	DWG. NO. TRU-7945		