



# Connector Saver

.050"

9 thru 100 Contacts

Rugged Metal

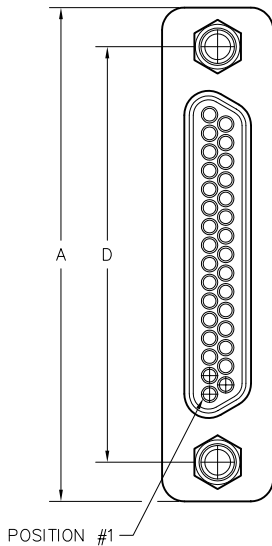
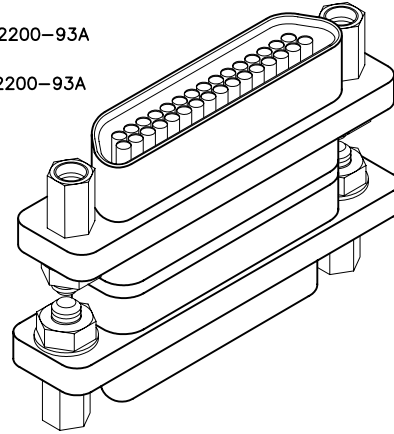
**MM**

Rugged Plastic

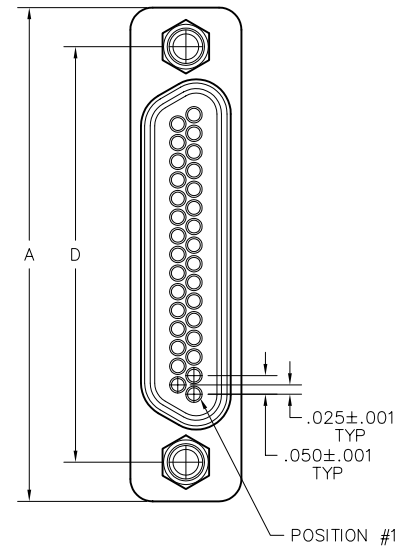
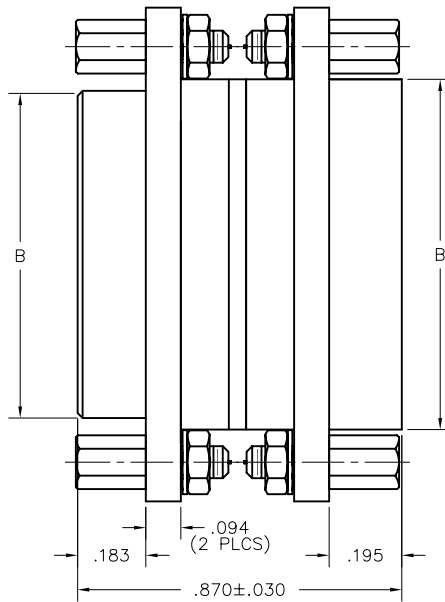
**MN**

MM-212-031-143-2200-93A  
(METAL)

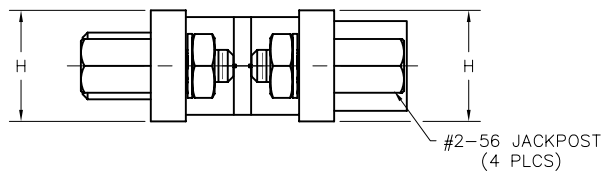
MN-211-031-143-2200-93A  
(PLASTIC)



PLUG



RECEPTACLE



DIMENSIONS							
SIZE	CONTACT ROWS	A	B		D	H	HARDWARE
			PLUG MAX	RCPT MAX			
9	2	.775	.334	.400	.565	.298	#2-56 UNC THD (.092 DIA THRU)
15		.925	.484	.550	.715		
21		1.075	.634	.700	.865		
25		1.175	.734	.800	.965		
31		1.325	.884	.950	1.115		
37		1.475	1.034	1.100	1.265		
51**	3	1.825	1.384	1.450	1.615	.341	
51		1.425	.984	1.050	1.215		
69***		1.725	1.284	1.350	1.515		
100	4	2.160	1.384	1.508	1.800	.384	#4-40 UNC THD (.147 DIA THRU)

\*\* = 2 ROW, 51 POSITION CONNECTORS ARE AVAILABLE IN METAL ONLY (NON MIL-SPEC INTERFACE)  
\*\*\* = 69 POSITION CONNECTORS ARE AVAILABLE IN METAL ONLY.

PLUG/RECEPTACLE: MM- 212 - 031 - 143 - 2200 - 93A  
 MN- 211 - 031 - 143 - 2200 - 93A  
 XX-XXX-XXX-XXX-XXXX-XXX

**SERIES**

MM .050" Rugged Metal  
 MN .050" Rugged Plastic

**BODY**

- 2 2-Row (Sizes 9 thru 51\*\*)
- 3 3-Row (Size 51 & 69\*\*\*)
- 4 4-Row (Size 100)

**BODY STYLE:**

- 1 Plug/Receptacle, straight with mounting ears, receptacle includes interfacial sealing gasket

**BODY MATERIAL:**

- 1 Polyphenylene Sulfide (MN only)
- 2 Polyphenylene Sulfide with electroless nickel shell
- 3 Polyphenylene Sulfide with electrodeposited cadmium shell ☒
- 4 Polyphenylene Sulfide with hard anodized black shell

**SIZE**

XXX 009, 015, 021, 025, 031, 037, 051\*\*, 069\*\*\*, 100

**CONTACTS**

**TYPE CONTACTS/TERMINATIONS:**

- 14 Pin/Socket, straight

**PLATING OPTIONS:**

- 3 50 μ" Au contacts: 10 μ" Au terminations

**HARDWARE**

**STYLE OF HARDWARE:**

- 00 None
- 22 Two fixed jacknut assemblies (62\*)
- JA Turning jackpost with retaining ring, uninstalled (PA\*)
- JP Turning jackpost, internal thread on plug side (PP\*)
- JS Turning jackpost, internal thread on receptacle side (PS\*)

**POLARIZATION / WIRING:**

- 00 None

**SPECIAL DESIGNATORS**

93A Connector saver designator

\* = Use number in parenthesis when ordering size 100.  
 \*\* = 2 row, 51 position connectors are available in metal only (non mil-spec interface)  
 \*\*\* = 69 position connectors are available in metal only.

☒ = Option not RoHS compliant

