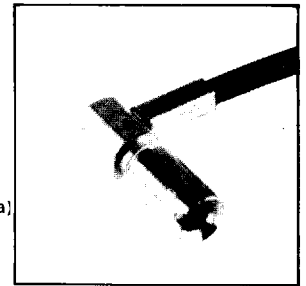
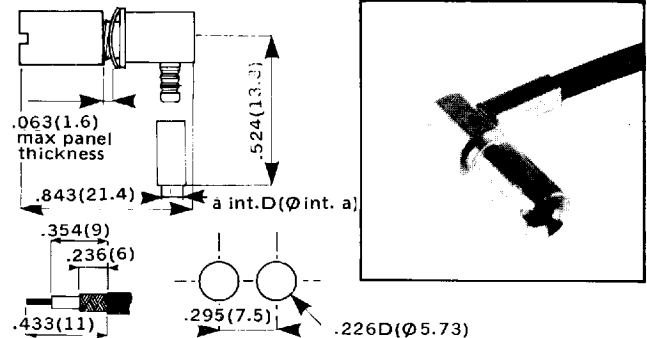


RIGHT ANGLE PANEL PLUGS

CABLE	mini wrapping	L 910/22	L 910/19	L 910/34	
PART NO.		R 120 176	R 120 177	R 120 181	R 120 184
Dia. a		.128(3.25)	.128(3.25)	.181(4.60)	.218(5.55)
Assembly code		M 02	M 02	M 02	M 02

* Max. dim without spring washer
(2.4 with spring washer)



45° PANEL PLUGS

CABLE	L 910/22	L 910/19	L 910/34
PART NO.	R 120 189	R 120 194	R 120 195
Dia. a	.128(3.25)	.181(4.60)	.218(5.55)
Dim. B	1.181(30)	1.209(30.7)	1.22(31)
Assembly code	M 03	M 03	M 03

