

REV.	DESCRIPTION	DATE
—	RELEASE	Sep 24, 2002
B	02*1021	Oct 21, 2002
C	02*1105	Nov 3, 2002
D	03*0120	Jan 16, 2003
E	03*0214	Feb 20, 2003
F	03*0321	Mar 25, 2003
G	03*0825	Aug 13, 2003
H	03*1202	Dec 12, 2003
I	04*0337	Mar 19, 2004

**MATERIALS**

1. HOUSING : HI-TEMP. PLASTIC (UL 94V-0), BLACK.
2. TERMINAL : COPPER ALLOY, GOLD PLATED OVERALL.
3. SHELL : STAINLESS STEEL, NICKEL PLATED. (t=0.30mm)

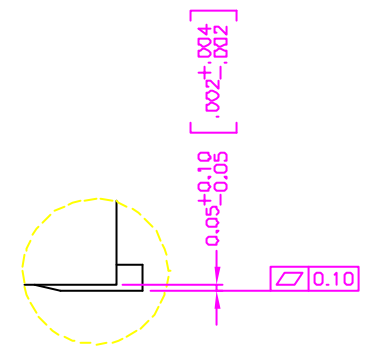
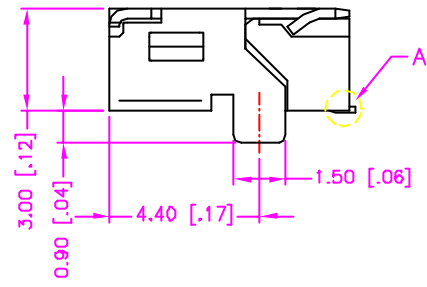
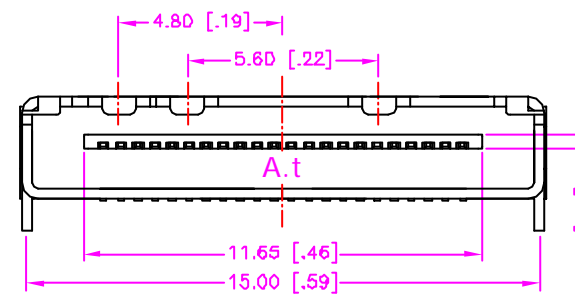
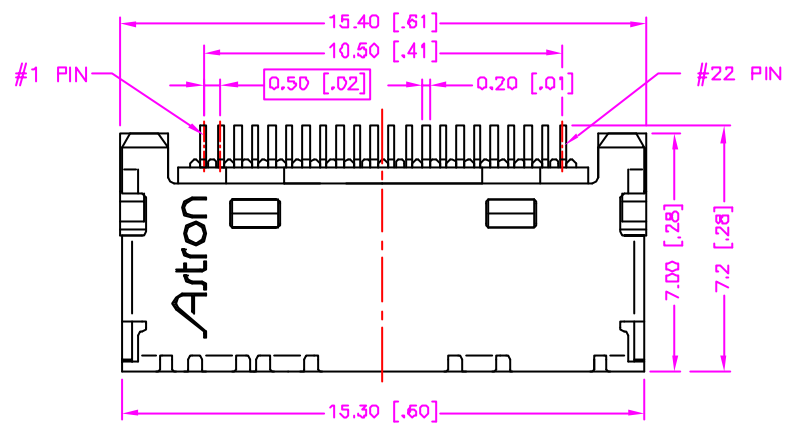
**SPECIFICATION**

1. CURRENT RATING : 0.5 A MAX.
2. DIELECTRIC WITHSTANDING VOLTAGE : 250V AC R.M.S. FOR ONE MINUTE.
3. INSULATION RESISTANCE : 1000 M MIN AT 250V DC.
4. OPERATING TEMPERATURE : -40°C TO +85°C.

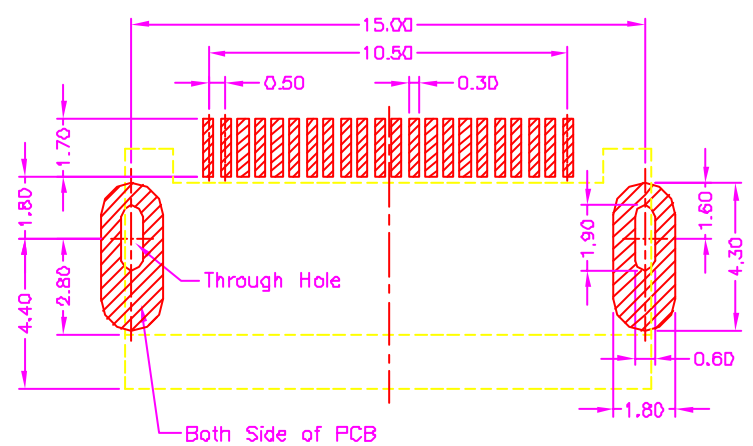
**ORDER INFORMATION :**

6191022-01X

SERIES CODE — FOLLOW NUMBER:  
 SMT — 11: A TYPE; TAPE REEL PACKAGE  
 MALE — 15: A TYPE; TRAY PACKAGE  
 NUMBER OF POSITIONS — CONTACT PLATING:  
 0: GOLD FLASH



DETAIL A  
SCALE 4:1



RECOMMEND P.C.B. LAYOUT  
TOLERANCE ±0.05  
TOP VIEW

TOLERANCE .0±0.38 [.015] .00±0.25 [.010] .000±0.15 [.006] .0000±. ANG.=±3°		DRAWER <i>judy</i>	 <b>Astron</b> ASTRON TECHNOLOGY CORP.
UNITS : mm [inch]		CHECK <i>RUS</i>	
SCALE NONE	SIZE A4	APP'D <i>LJON</i>	DRAW NO. R6191022-011(5)
SHEET 1 OF 1		REV. 	