

MIL-C-39012/59

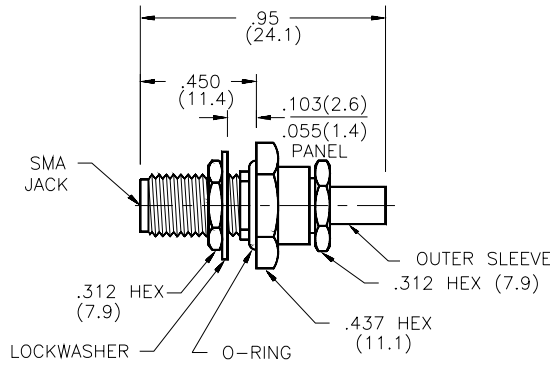
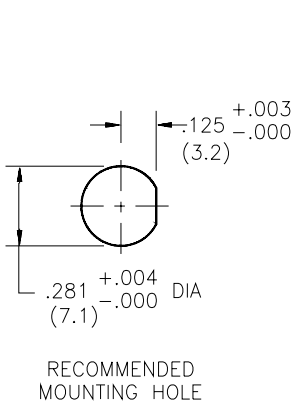


FIGURE 1

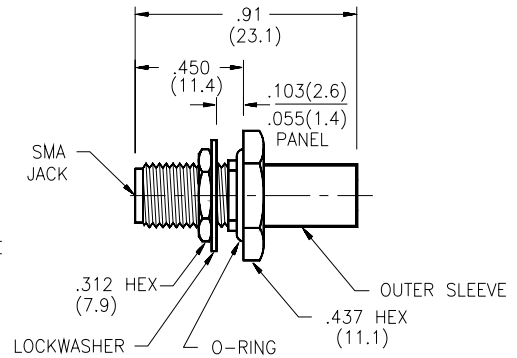


FIGURE 2

MILITARY PART NO.	MIDWEST PART NO.	FIGURE	ASSEMBLY PROCEDURE	CATEGORY	CABLE TYPE	COMMERCIAL ALTERNATE
- 3006	M39012/59-3006	1	SMA -055	A	I	SMA-0196-59-000-02
- 3007	M39012/59-3007	1	SMA -055	A	II	SMA-0188-59-000-02
- 3008	M39012/59-3008	2	SMA -056	A	III	SMA-0122-59-000-02
- 3009	M39012/59-3009	2	SMA -056	A	IV	SMA-0142-59-000-02
- 3010	M39012/59-3010	2	SMA -056	A	V	SMA-0142-59-000-02
- 3025	M39012/59-3025	1	SMA -055	C	I	SMA-1196-59-000-02
- 3026	M39012/59-3026	1	SMA -055	C	II	SMA-1188-59-000-02
- 3027	M39012/59-3027	2	SMA -056	C	III	SMA-1122-59-000-02
- 3028	M39012/59-3028	2	SMA -056	C	IX	SMA-1055-59-000-02
- 3029	M39012/59-3029	2	SMA -056	C	X	SMA-1058-59-000-02
- 3030	M39012/59-3030	1	SMA -055	A	XV	SMA-0316-59-000-02
- 3502	M39012/59-3502	2	SMA -056	D	XI	SMA-3055-59-000-02

Notes:

1. Solder sleeve to be gold plated, all other stainless steel parts are passivated (MIL-C-39012/59D Amendment 1, Note 8).
2. Housing to be gold plated (MIL-C-39012/59D Amendment 1, Note 8).
3. Category A: solder sleeve; Categories B, C and D: crimp sleeve.
4. Qualification to MIL-C-39012/59 is in process at time of printing, please contact Midwest Microwave for current status.
5. See Appendix for description of connector interfaces, categories and cable types.