

Transformers for Inverter or Converter TR Series

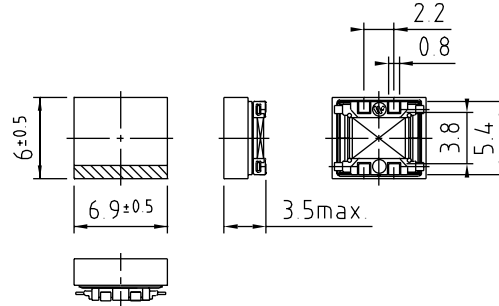
Coils, Filters

TR6-B-S



Specifications
(1) –
(2) 10~300kHz
(3) 0.5W

Features
SMD
1000pcs./Reel

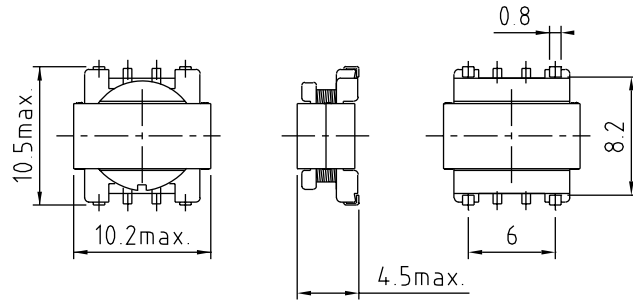


TR9-A-S

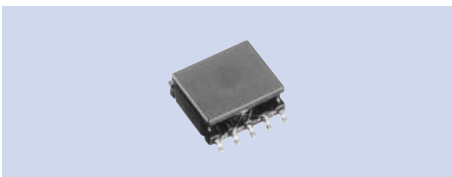


Specifications
(1) –
(2) 10~300kHz
(3) 1.3W

Features
SMD
500pcs./Reel

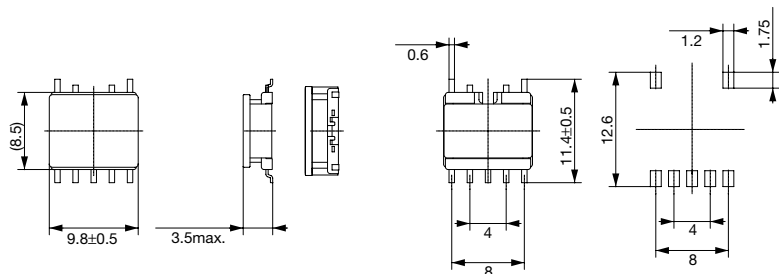


TR9-B-S



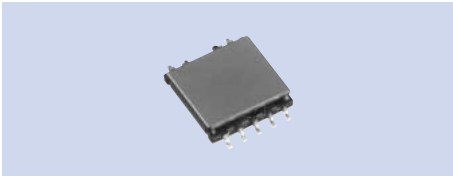
Specifications
(1) –
(2) 10~300kHz
(3) 1W

Features
SMD
500pcs./Reel



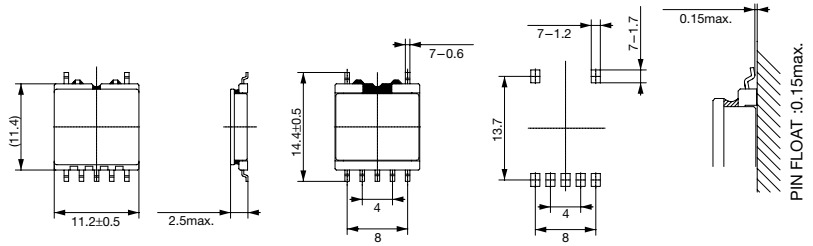
(1) Inductance
(2) Operational frequency
(3) Power Capacity

TR11-D-S

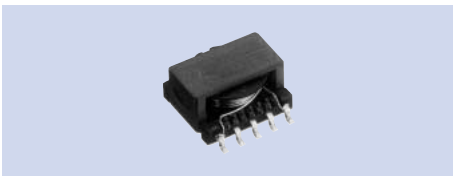


Specifications
 (1) -
 (2) 10~300kHz
 (3) 1W

Features
 SMD
 500pcs./Reel



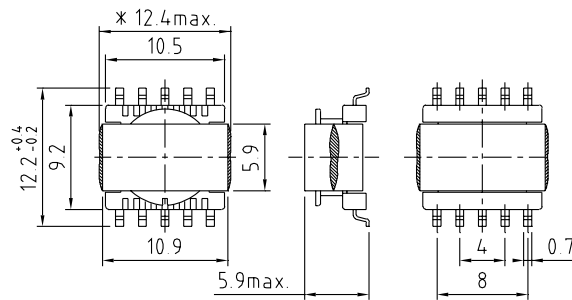
TR11-A-S



Specifications
 (1) -
 (2) 10~300kHz
 (3) 1.5W

Features
 SMD
 500pcs./Reel

* 印の寸法は接着剤はみ出しを含んだ寸法です。

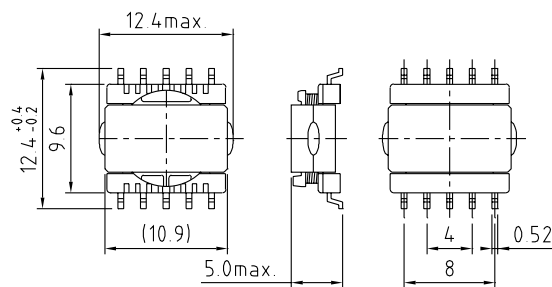


TR11-A1-S



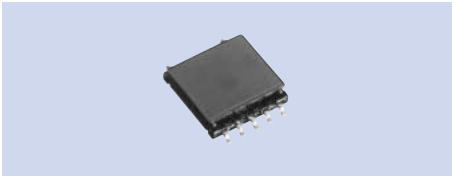
Specifications
 (1) -
 (2) 10~300kHz
 (3) 1.5W

Features
 SMD
 500pcs./Reel



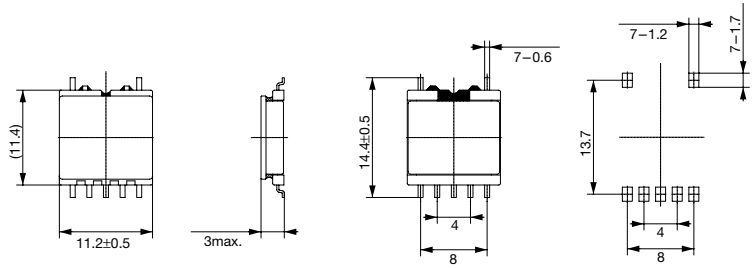
- (1) Inductance
- (2) Operational frequency
- (3) Power Capacity

TR11-C-S



Specifications
 (1) –
 (2) 10~300kHz
 (3) 1.5W

Features
 SMD
 500pcs./Reel

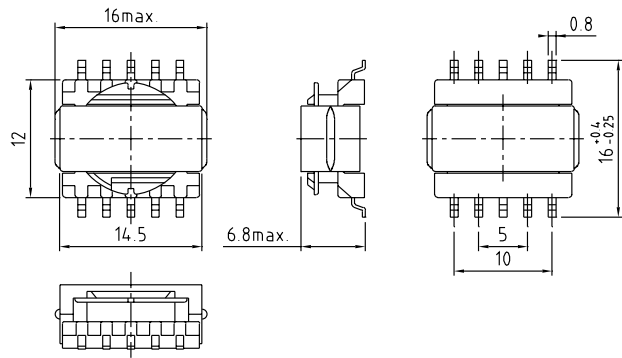


TR14-A-S

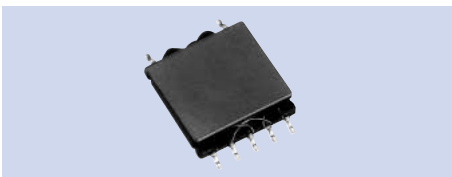


Specifications
 (1) –
 (2) 10~300kHz
 (3) 3.0W

Features
 SMD

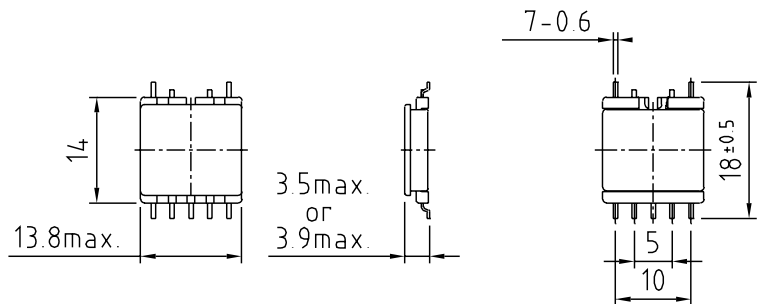


TR14-B-S



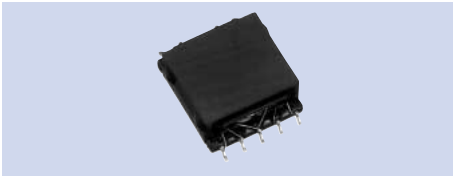
Specifications
 (1) –
 (2) 10~300kHz
 (3) 1.5W

Features
 SMD



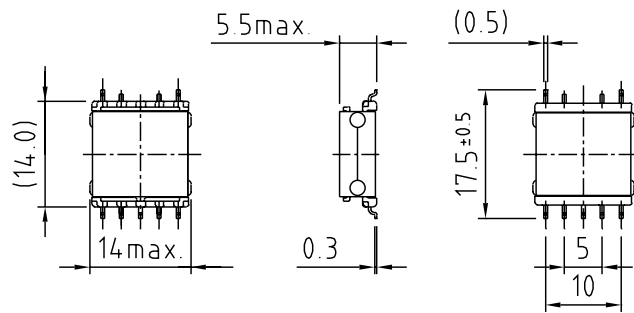
(1) Inductance
 (2) Operational frequency
 (3) Power Capacity

TR15-A-S/A1-S



Specifications
 (1) -
 (2) 10~300kHz
 (3) 2.0W

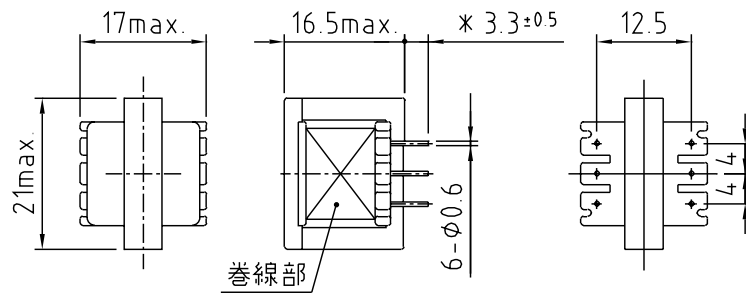
Features
 SMD



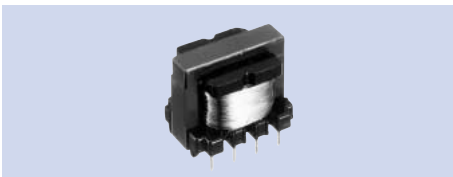
TR19-A-P



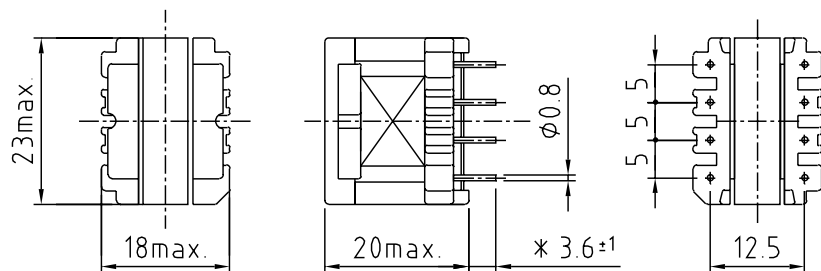
Specifications
 (1) -
 (2) 10~300kHz
 (3) 4.5W



TR22-A-P



Specifications
 (1) -
 (2) 10~300kHz
 (3) 6.0W



(1) Inductance
 (2) Operational frequency
 (3) Power Capacity