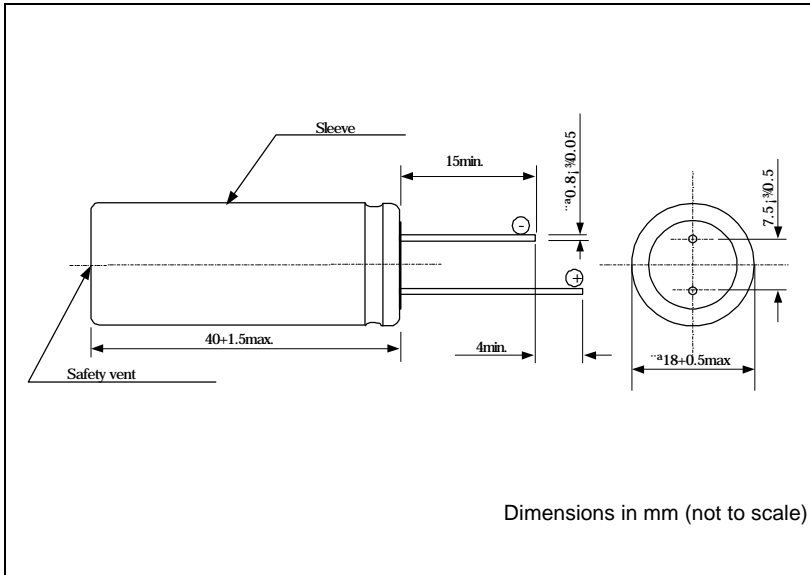


# NESSCAP 60F/2.3V

**ESLSR-0060C0-002R3**

## ■ Features

- Cylindrical cell
- Radial lead terminals



## ■ Specifications

<b>Rated Capacitance, C (DCC<sup>(1)</sup>, 25°C)</b>		<b>60 Farads</b>	<b>(1) Discharging with constant current</b>
<b>Capacitance Tolerance</b>		<b>-10% / +20%</b>	
<b>Rated Voltage, V<sub>R</sub></b>		<b>2.3 V</b>	
<b>Surge Voltage</b>		<b>2.7 V</b>	
<b>Rated Current (25°C)<sup>(2)</sup></b>		<b>10.2 A</b>	<b>(2) 5 sec discharge rate to 1/2 V<sub>R</sub></b>
<b>Max. Current (25°C)<sup>(3)</sup></b>		<b>&gt; 24.6 A</b>	<b>(3) 1 sec discharge rate to 1/2 V<sub>R</sub></b>
<b>Max. Stored Energy (at V<sub>R</sub>)</b>		<b>158.7J (0.0441Wh)</b>	
<b>Specific Energy</b>	<b>Gravimetric</b>	<b>3.15 Wh/kg</b>	
	<b>Volumetric</b>	<b>4.32 Wh/l</b>	
<b>Specific Power<sup>(4)</sup> (at matched load)</b>	<b>Gravimetric</b>	<b>3.15 kW/kg</b>	<b>(4) Power density at which one-half the energy of the discharge is in the form of electricity and one-half is in heat.</b>
	<b>Volumetric</b>	<b>4.32 kW/l</b>	
<b>Maximum Internal Resistance (ESR)</b>	<b>AC (1kHz)</b>	<b>20 mW</b>	
	<b>DC (5.5A)</b>	<b>30 mW</b>	
<b>Dimensions</b>		<b>∅ 18 x l 40 mm</b>	
<b>Volume</b>		<b>10.2 ml</b>	
<b>Weight</b>		<b>14 g</b>	
<b>Operating temperature range<sup>(5)</sup></b>		<b>-25 ~ 60 °C</b>	<b>(5) 1/2DC 1/2 &lt; 30% and ESR &lt; 4 times of initially measured value at 25°C, respectively</b>
<b>Storage temperature range</b>		<b>-40 ~ 85 °C</b>	
<b>Max. Leakage Current, I<sub>C</sub>(12h, 25°C)</b>		<b>1.5 mA</b>	
<b>Life Time at RT<sup>(6)</sup></b>		<b>10 years</b>	<b>(6) 1/2DC 1/2 &lt; 30% and ESR &lt; 2 times of initially measured value, respectively and LC &lt; specified value</b>

© NESSCAP 2003. All Rights reserved. Design, Specifications are subject to change without notice.