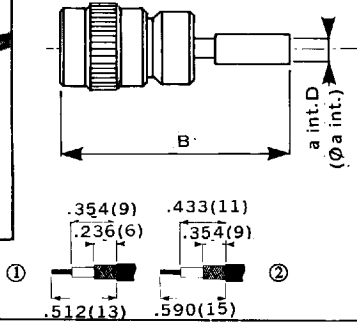
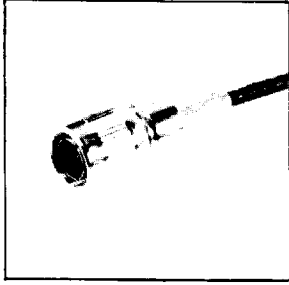


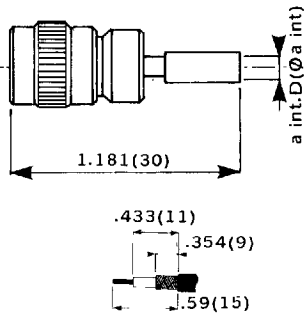
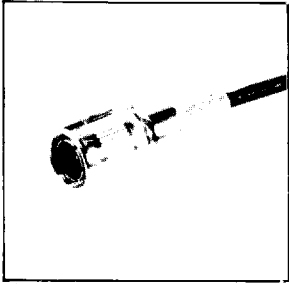
CRIMP TYPE PLUGS

STRAIGHT PLUGS (screw-on)



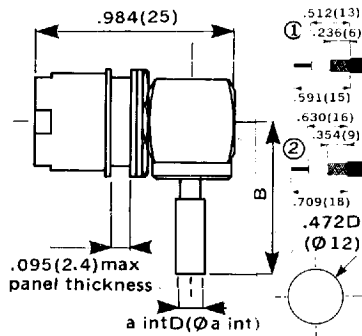
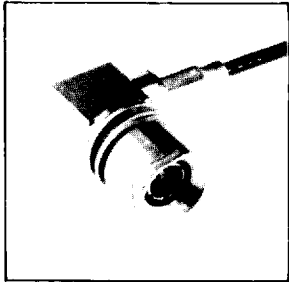
CABLE	.102D(Ø2.6) 75 Ω L 910/22	L 910/34	.236D. (Ø6)75 Ω	L 910/12 L 910/13
PART NO.	R 129 074	R 129 083	R 129 084	R 129 086
Dia. a	.118 (3)	.219 (5.55)	.260 (6.6)	.260 (6.6)
Dim. B	1.181 (30.0)	1.181 (30.0)	1.102 (28.0)	1.181 (30.0)
Assembly code	M 08 ①	M 09 ②	M 10 ②	M 10 ②

STRAIGHT PLUGS (screw-on)



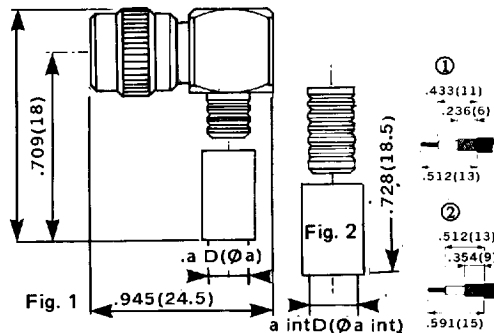
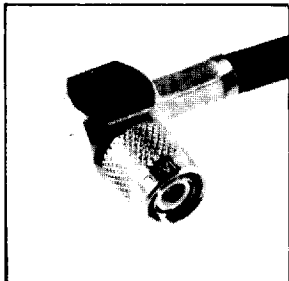
CABLE	.315D(Ø8)75 Ω L 910/7 L 910/8	L 910/16	L 910/30
PART NO.	R 129 088	R 129 089	R 129 091
Dia. a	.346 (8.8)	.219 (5.55)	.217 (5.5)
Assembly code	M 11	M 09	M 09

RIGHT ANGLE PLUGS, INSULATED OR NON-INSULATED (slide-on)



CABLE	.102D(Ø2.6)75 Ω L 910/22	L 910/19	L 910/34
PART NO.	R 131 191	R 131 192	R 131 197
Dia. a	.118 (3)	.181 (4.6)	.219 (5.55)
Dim. B	.689 (17.5)	.768 (19.5)	.768 (19.5)
Assembly code	M 13 ①	M 13 ②	M 13 ②

RIGHT ANGLE PLUGS(screw-on)



CABLE	.236D(Ø6)75 Ω	.263D(Ø6.7)75 Ω
PART NO.	R 129 184	R 129 185
Dia. a	.260 (6.6)	.276(7)
Dim C	.945(24)	.965(24.5)
Assembly code	M 03 ①	M 03 ②
Figure	1	2