

4

3

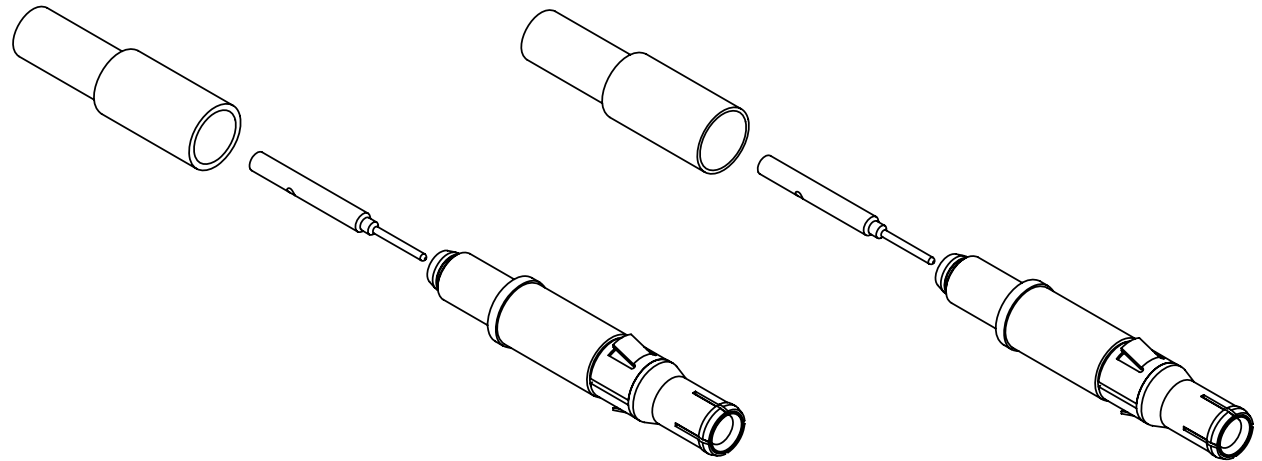
2

1

DO NOT SCALE DRAWING

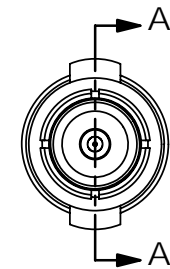
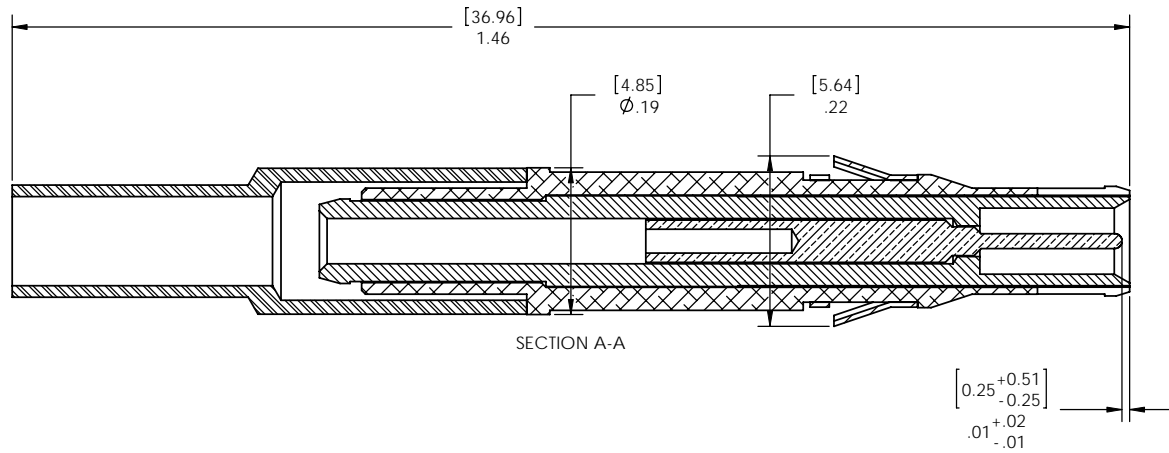
THE INFORMATION CONTAINED HEREIN IS THE EXCLUSIVE PROPERTY OF VIRGINIA PANEL CORPORATION AND IS SUBMITTED FOR USE BY THE CUSTOMER ONLY. THE DATA SHALL NOT BE DUPLICATED, USED, OR DISCLOSED IN WHOLE OR IN PART FOR ANY PURPOSE OTHER THAN TO MAINTAIN THE EQUIPMENT PROVIDED. CONSULT WITH VIRGINIA PANEL CORPORATION ENGINEERING IF MORE DETAIL IS REQUIRED.

REVISIONS			
REV	DESCRIPTION	DATE	ENGR
G	ECN #10-610-0007	8/18/10	RD



610103115  
CONTACT, ITA, MINI COAX, RG316

610103152  
CONTACT, ITA, MINI COAX,  
RG316 DOUBLE SHIELDED WIRE



610103115 - RG316  
610103152 - RG316DS

**CUSTOMER DRAWING**  
**VIRGINIA PANEL CORPORATION**  
WWW.VPC.COM  
**MALE MINI COAX ASSEMBLY**  
**FOR RG316 & RG316DS WIRE**

1. FOR APPLICATION USE & CARE INFORMATION CONSULT VPC USERS GUIDE @WWW.VPC.COM  
NOTES:

DIMENSIONS ARE SHOWN AS:	SIZE	CAGE CODE	DWG. NO.	REV
[MILLIMETERS]	C	18117	4148 00 000	G
[INCHES]	SCALE: NONE	414800000	3/25/87	SHEET 1 OF 1

4

3

2

1