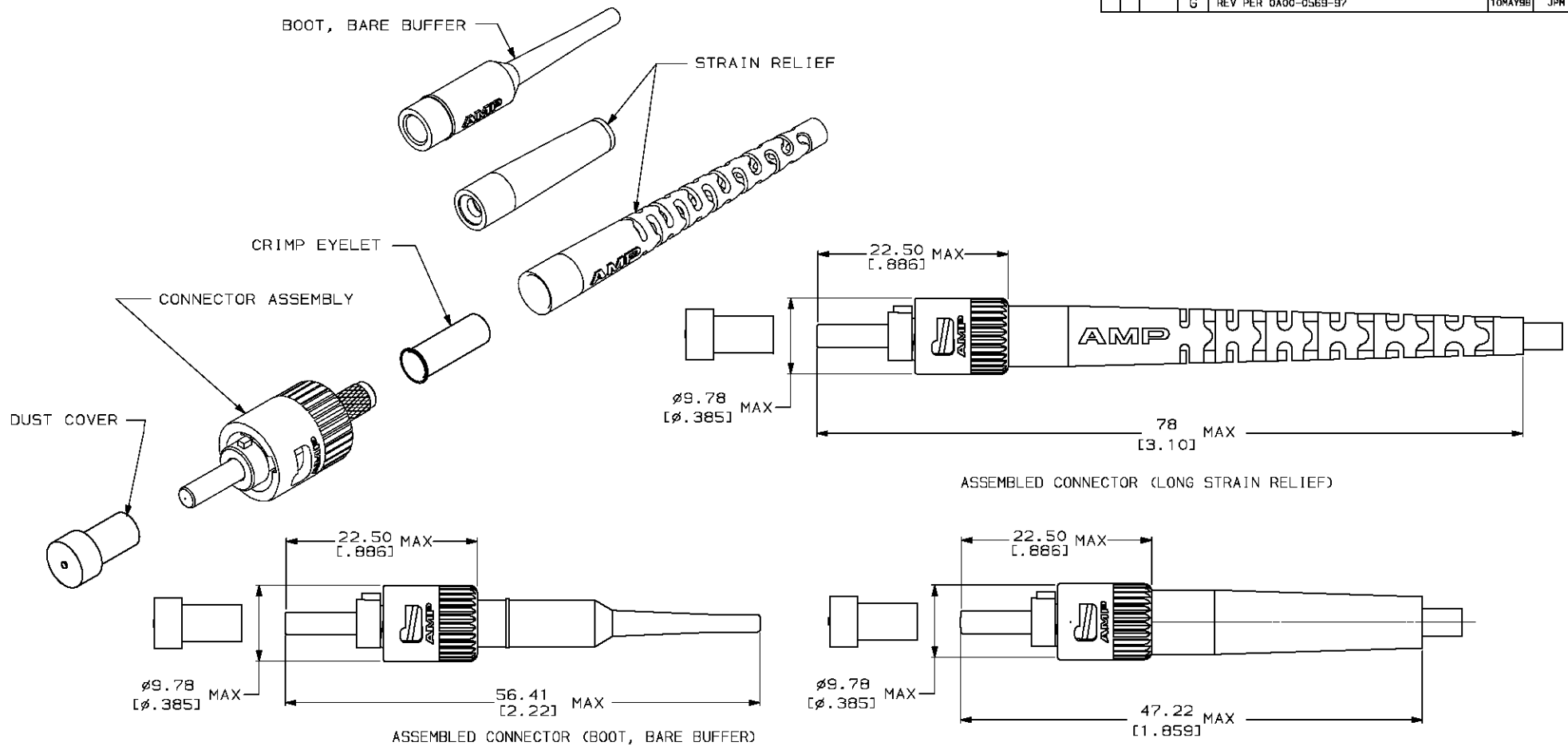


LOC	DIST	P	F	ZONE	LTR	DESCRIPTION	DATE	APPD
CE	16				G	REV PER 0A00-0569-97	10MAY96	JPM



- DIMENSIONS IN [] ARE IN INCHES.
 - INSTRUCTION SHEET 6935.
- △ BODY: BRASS
 CAPILLARY: ZIRCONIUM OXIDE (ZrO₂)
 COUPLING NUT: ZINC
 STRAIN RELIEF: THERMOPLASTIC
 - △ BODY: ELECTROLESS NICKEL
 COUPLING NUT: ELECTROLESS NICKEL
 - △ BULK PACKAGE 1000 PCS PER UNIT.

SUPERSEDED BY 492458-1 △
 SUPERSEDED BY 492458-3 PLUS 1-502128-2 △
 SUPERSEDED BY 492458-2 △
 SUPERSEDED BY 492458-3 PLUS 502128-9 △

BLACK, 900µm	125±2 µm	503274-4
BEIGE, LONG	125±2 µm	503274-3
BLACK, SHORT	125±2 µm	503274-2
BLACK, LONG	125±2 µm	503274-1
STRAIN RELIEF	FIBER SIZE	PART NO

DO NOT SCALE PRINT. UNLESS SPECIFIED DIMENSIONS IN mm TOLERANCES ON: 2 PLC DEC ± 3 PLC DEC ± ANGLES ±	DR 5-17-93 P. YEAGER	AMP INCORPORATED Harrisburg, Pa. 17105	
	CHK 5-17-93 P. YEAGER		
MATERIAL △	APPD 5-17-93 R. FOWLER	NAME CONNECTOR KIT, 2.5mm BAYONET, OPTIMATE® ZIRCONIA	
	APPD 5-17-93 R. FOWLER	DRAWING NO 503274	
FINISH △	PRODUCT SPEC 108-45113	SIZE C	FSCM NO 00779
	APPLICATION SPEC	SCALE 2:1	SHEET 1 OF 1
WEIGHT			

METRIC