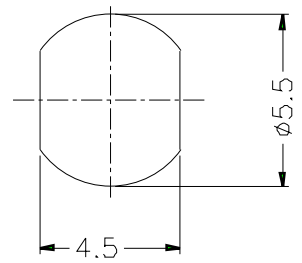
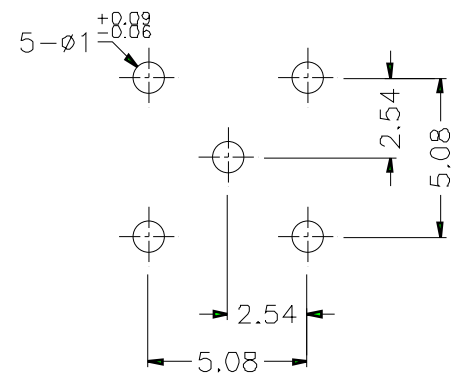


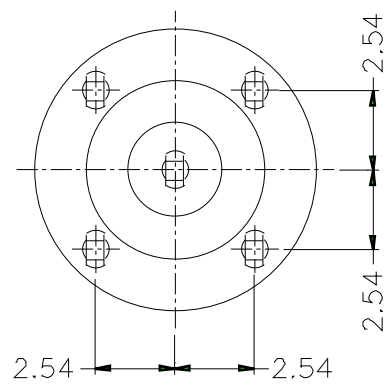
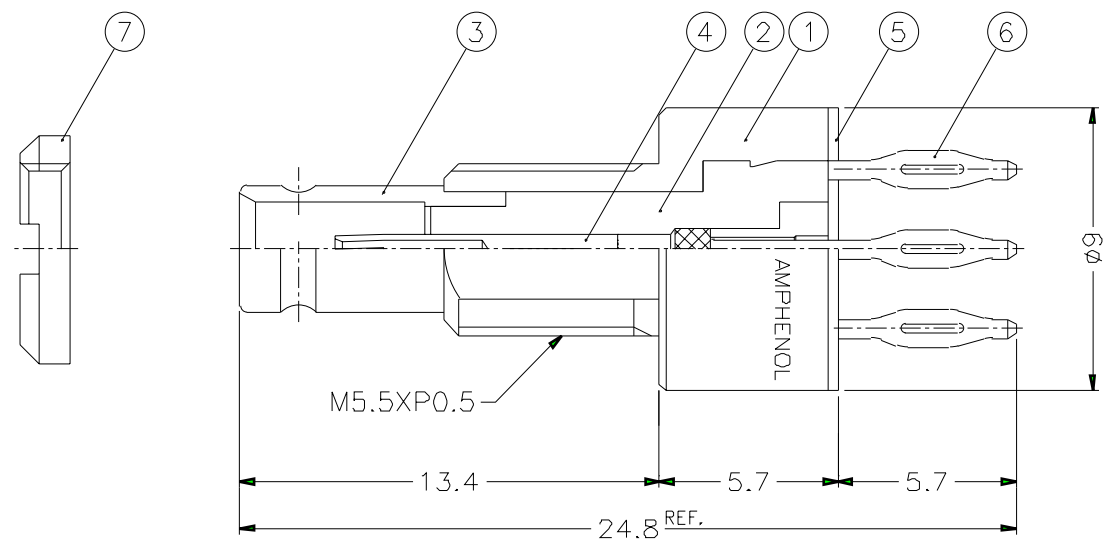
REVISIONS			
ISS	ZONE	DESCRIPTION\PER REQUEST\DATE	



RECOMMENDED MOUNTING HOLE



PCB MOUNTING HOLE



PANEL THICKNESS: 3 MAX.

WITHDRAWAL FORCE  $\geq$  90 N  
 INSERTION FORCE  $\leq$  540 N

- CONNECTOR ACCORDING TO 93-571

NO.	DESCRIPTION	MATERIAL	FINISH	Q'TY	DRAWING NO.	DIMENSIONS ARE IN MILLIMETERS				PART NO.	TITLE
						SCALE	4/1	ISSUE	F		
7	NUT	BRASS	NICKEL	1						1236251PF-ES2	1.0/2.3 PRESS-FIT P.C.B RECEPT. JACK
6	LEG	BRONZE	TIN-LEAD	5					APPROVED		
5	ISOLATING WATER	MYLAR	WHITE	1						10-04-99'	DRAWING NO.
4	CONTACT PIN	BECU	GOLD	1						10-04-99'	FILE NO.
3	BODY	BRASS	GOLD	1						10-04-99'	F:\DWG\ASF\102\811\03
2	INSULATOR	PTFE	NATURAL	1						10-04-99'	
1	BODY	BRASS	NICKEL	1						10-04-99'	

**Amphenol RF**