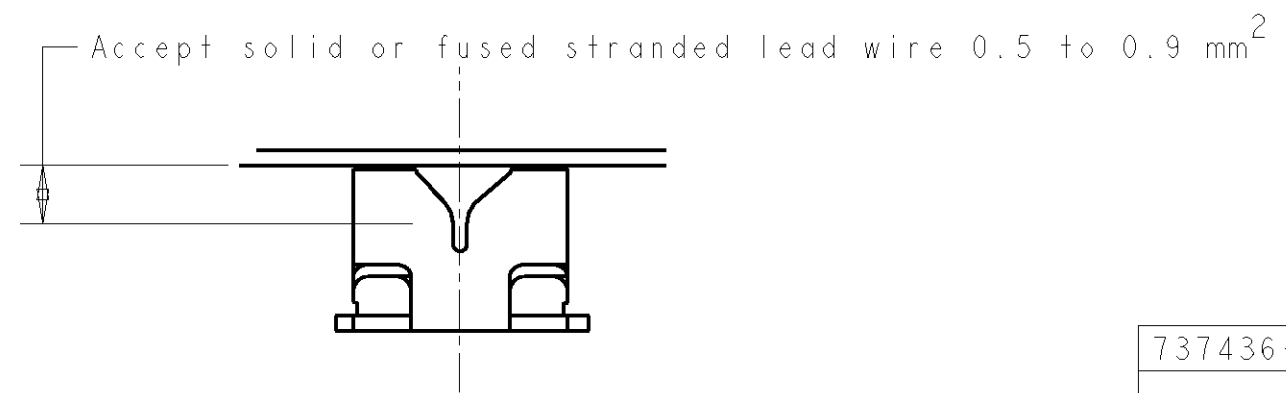
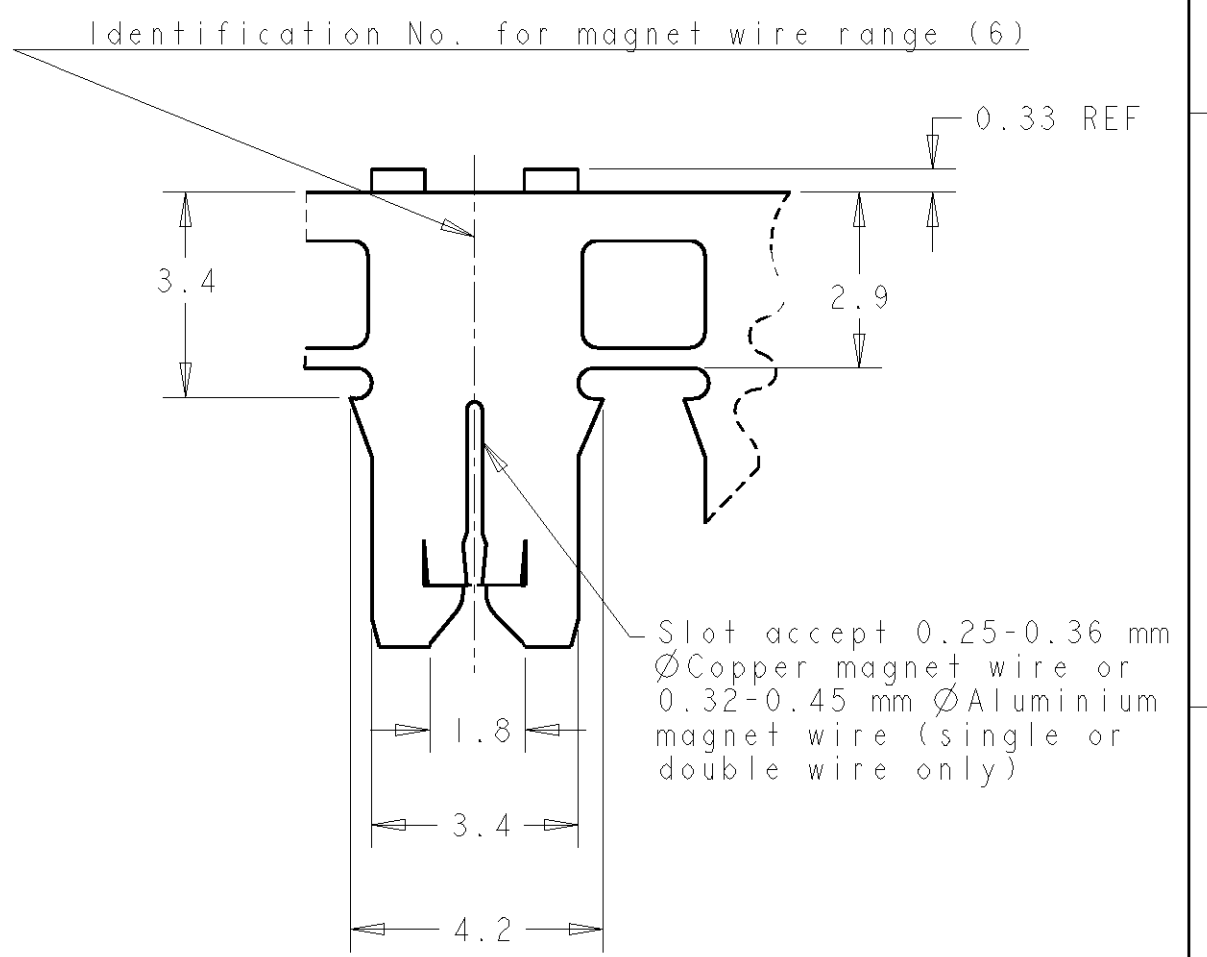
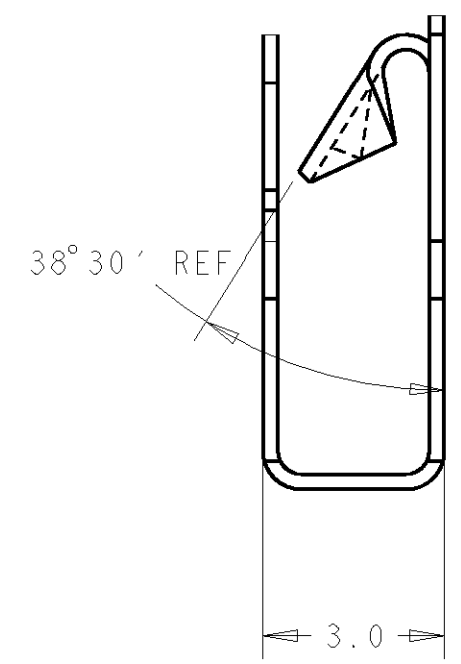
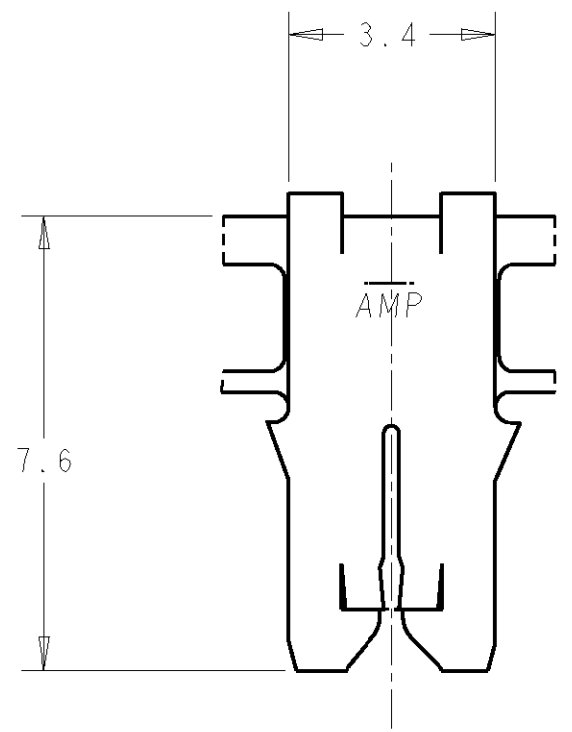


THIS DRAWING IS UNPUBLISHED. RELEASED FOR PUBLICATION 20  
 © COPYRIGHT 20 BY TYCO ELECTRONICS CORPORATION. ALL RIGHTS RESERVED.

LOC	DIST	REVISIONS			
P	LTR	DESCRIPTION	DATE	DWN	APVD
AL	2	B	REVISED PER EC ES00-0100-01	20SEP01	A.H L.B



737436-2	TIN PLATED	BRASS	737433-2
-	-	BRASS	737433-1
LOOSE PIECE	FINISH	MATERIAL	PART NUMBER
<small>THIS DRAWING IS A CONTROLLED DOCUMENT FOR TYCO ELECTRONICS CORPORATION          IT IS SUBJECT TO CHANGE AND THE CONTROLLING ENGINEERING ORGANIZATION          SHOULD BE CONTACTED FOR THE LATEST REVISION.</small>		DWN A.HERRANZ 20SEP01 CHK A.CARBO 21SEP01 APVD L.BATILLO 21SEP01	<b>tyco</b> <b>Electronics</b> Tyco Electronics AMP España, S.A. Barcelona, Spain.
DIMENSIONS: mm 	TOLERANCES UNLESS OTHERWISE SPECIFIED: 0 PLC ±0.5 1 PLC ±0.5 2 PLC ± 3 PLC ± 4 PLC ± ANGLES ±1	PRODUCT SPEC 108-2012 APPLICATION SPEC 114-2046 WEIGHT -	NAME MAG-MATE POKE-IN TERMINAL SIZE A3 CAGE CODE 00779 DRAWING NO C-737433 RESTRICTED TO -
MATERIAL SEE TABLE	FINISH SEE TABLE	CUSTOMER DRAWING	SCALE - SHEET 1 OF 1 REV B