

Special Devices

PROGRAMMABLE UNIUNCTION TRANSISTORS

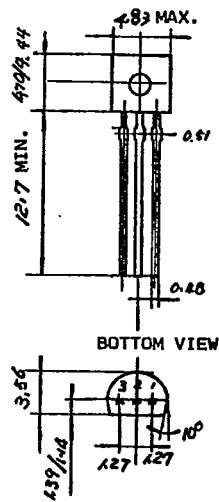
TYPE NO.	CASE	MAXIMUM RATINGS			V _F (V) max	I _F (mA)	V _T (V) max	I _P (μA) max	I _V (μA) max	I _{GKS} (nA) max	I _{GAO} (nA) max
		Pd (mW)	I _A (mA)	BV _{GKF} (V)							
BRY 56	TO-92BA	300	175	70	1.4	100	—	5	50	100	10
BRY 56A	TO-92BA	300	175	70	1.4	100	—	0.22	2	100	10
MEU 21	TO-106	300	150	40	1.5	50	1.6	2	50	100	10
MEU 22	TO-106	300	150	40	1.5	50	0.6	0.15	25	100	10
MTU 21	MT-42	75	150	40	1.5	50	1.6	2	50	100	10
MTU 22	MT-42	75	150	40	1.5	50	0.6	0.15	25	100	10
2N 6027	TO-92BF	300	150	40	1.5	50	1.6	2	50	100	10
2N 6028	TO-92BF	300	150	40	1.5	50	0.6	0.15	25	100	10

SILICON CONTROLLED SWITCHES

TYPE NO.	CASE	MAXIMUM RATINGS			NPN					PNP			VF @ I _E = 50mA (V) max	I _H (mA)		t _{on} (ns) max	
		Pd (mW)	I _E (mA)	V _{CBO} (V)	H _{FE}		V _{CE(sat)} (V)		H _{FE}		I _C (mA)	I _H (mA)					
					min	I _C (mA)	V _{CE} (V)	max	I _C (mA)	min		max		min	max		
BR 101	TO-72	250	100	50	50	10	2	0.6	10	0.25	2.5	1	1.4	0.1	1	10	250
BRY 39	TO-72	250	100	70	50	10	5	0.5	10	0.25	2.5	0.7	1.4	0.1	1	10	250
3N 81	TO-72	400	200	65	15	3	0.5	2	50	0.1	—	1	1.4	—	1.5	10	1500
3N 82	TO-72	400	200	100	15	3	0.5	2	50	0.1	—	1	1.4	—	1.5	10	1500
3N 83	TO-72	200	50	70	15	3	0.5	1.2	25	0.1	—	1	1.4	—	4	10	1500

Mechanical Outlines

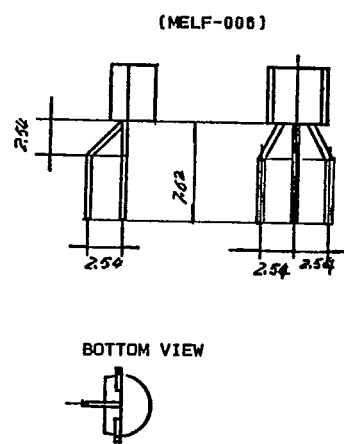
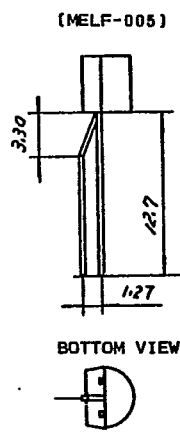
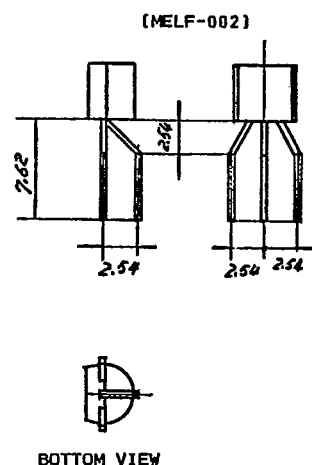
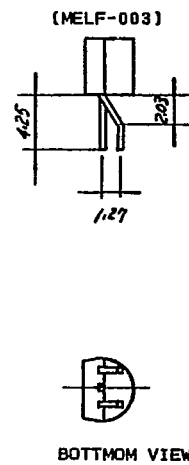
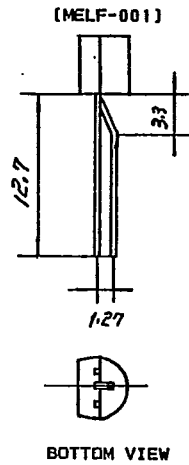
TO-92



LEAD CODE	1	2	3
A	E	B	C
B	E	C	B
C	B	E	C
D	B	C	E
E*	C	E	B
F*	C	B	E
BA*	K	A	G
BF*	A	G	K
DA	B	G	D
DB	B	D	G
DC	D	G	B
DD	D	G	B
DE*	G	B	D
DF*	G	D	B
VOLTAGE REGULATOR			
D	O	G	L

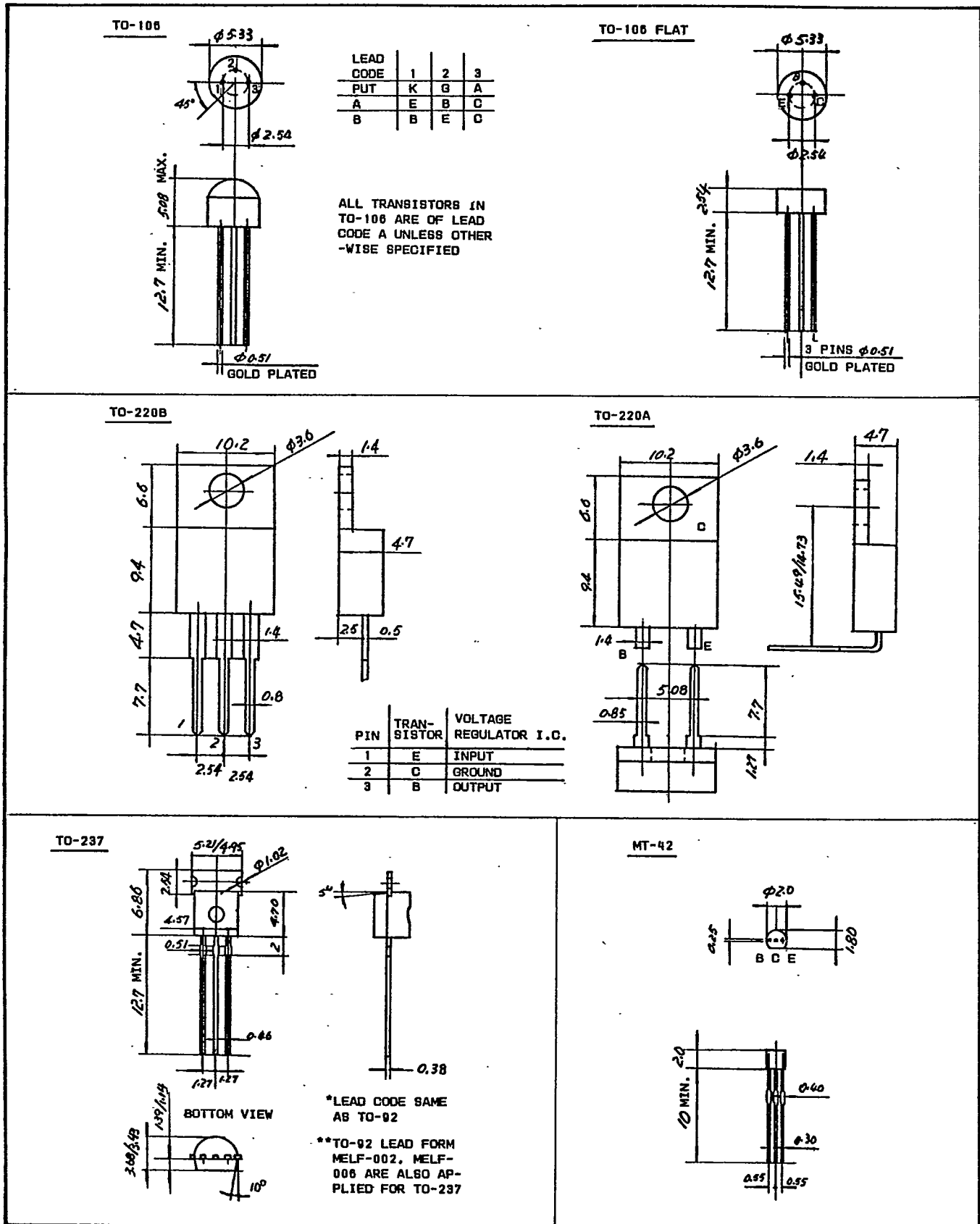
*ALL LEAD FORM TO MELF-001 UNLESS OTHERWISE NOTED.

TO-92 LEAD FORM



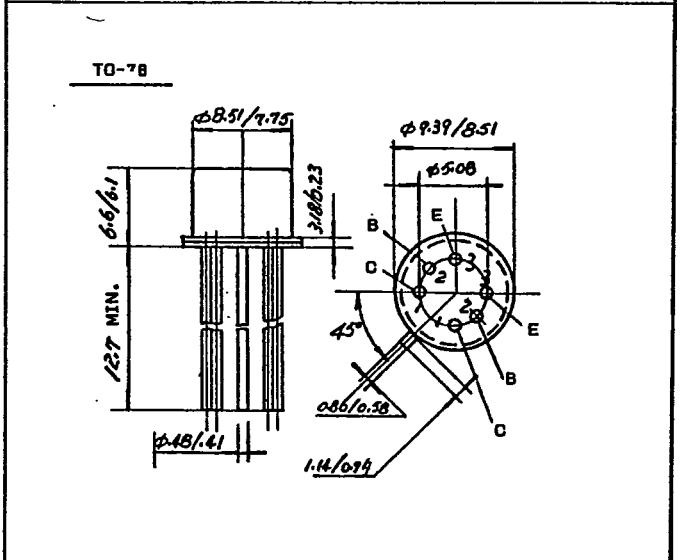
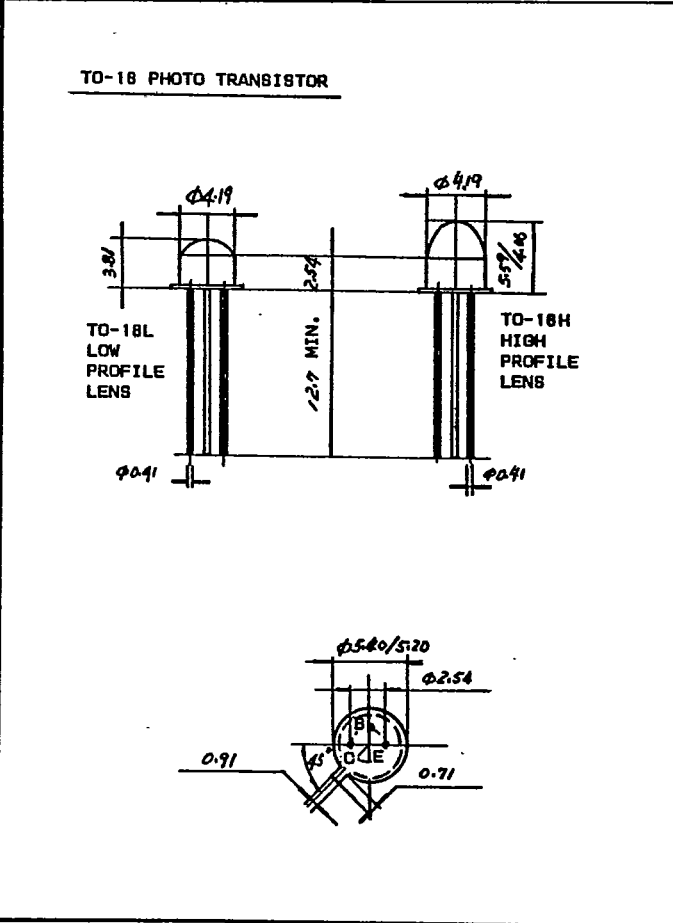
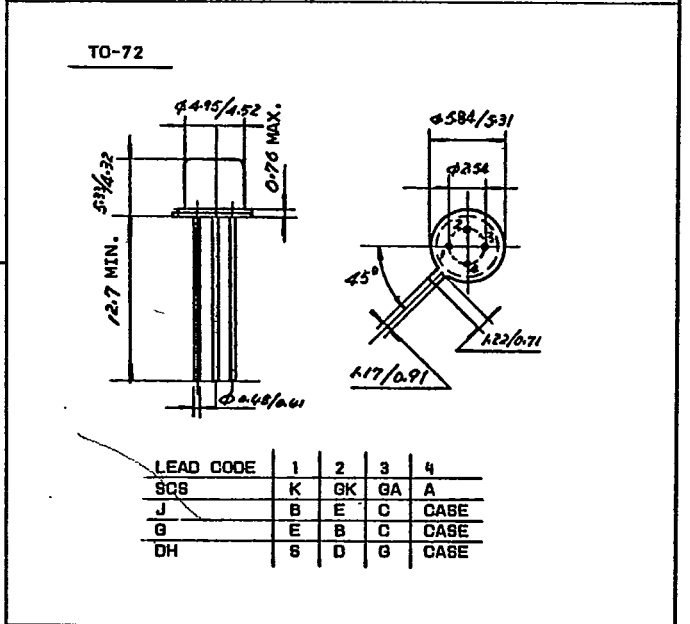
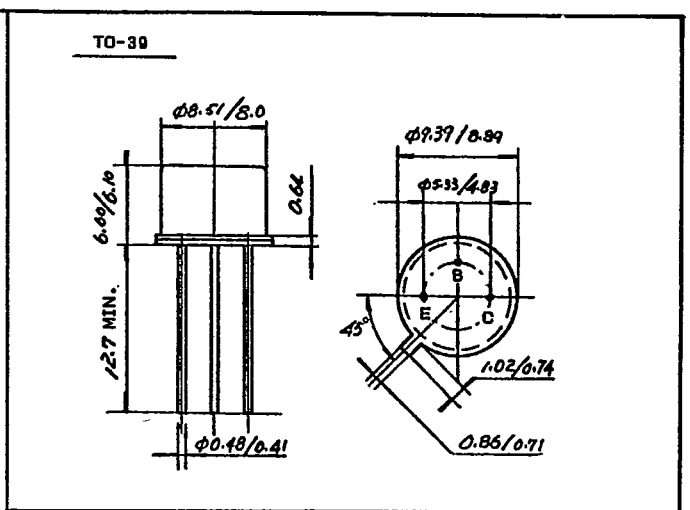
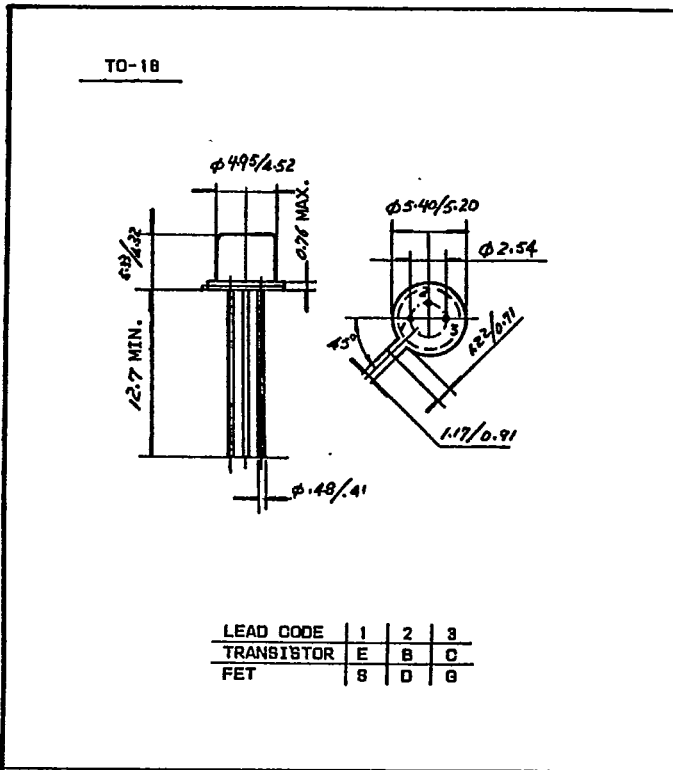
ALL DIMENSIONS IN mm

Mechanical Outlines



ALL DIMENSIONS IN mm

Mechanical Outlines



ALL DIMENSIONS IN mm