

SHORT CIRCUITS

7/16-DIN, DC-7.5 GHz

SPECIFICATIONS:

Models: 7011, 7011C, 7012, 7012C

RoHS
Compliant

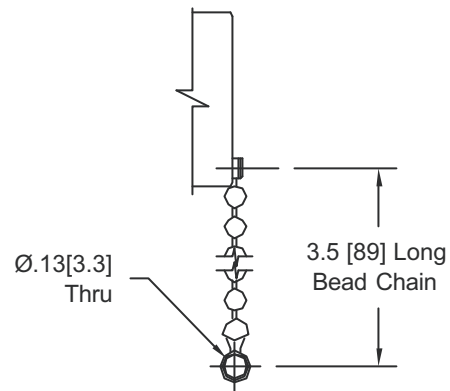
AEROFLEX
A passion for performance.

Electrical:

Frequency Range _____ DC - 7.5 GHz
Reflection _____ 100% Nominal

Mechanical:

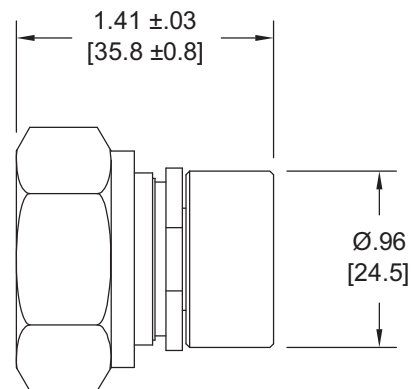
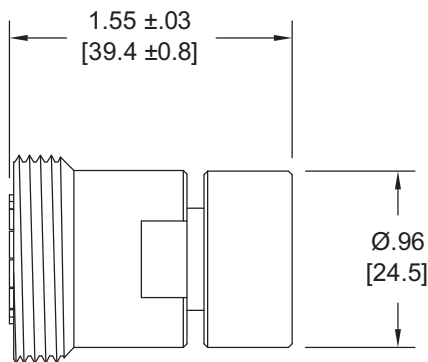
7/16- DIN Connectors _____ Silver Plated Brass
Mates with DIN 47 223
Conductors _____ Silver Plated Beryllium Copper
Housing _____ Silver Plated Brass
Bead Chain _____ Passivated Stainless Steel



CHAIN DETAIL

Model Number: **7011**
7/16 - DIN Female Connector

Model Number: **7012**
7/16 - DIN Male Connector



HOW TO ORDER:

Model Number: **70XXY**
Base Model Number _____ Style _____
7011 = Female _____ = No Chain
7012 = Male _____ C = Chain Included

Ordering Examples:

Model Number: **7012C**
DC - 7.5 GHz; 7/16 - DIN Male; Chain Included

Model Number: **7011**
DC - 7.5 GHz; 7/16 - DIN Female; No Chain

Note: Dimensions in Brackets are Expressed in Millimeters and are for Reference Only.

7011-SHT: REV F

AEROFLEX
INMET

Aeroflex / Inmet, Inc. • 300 Dino Drive, Ann Arbor, MI 48103 • U.S.A.
888-244-6638 or 734-426-5553 • FAX: 734-426-5557
www.aeroflex-inmet.com • inmet-sales@eroflex.com