

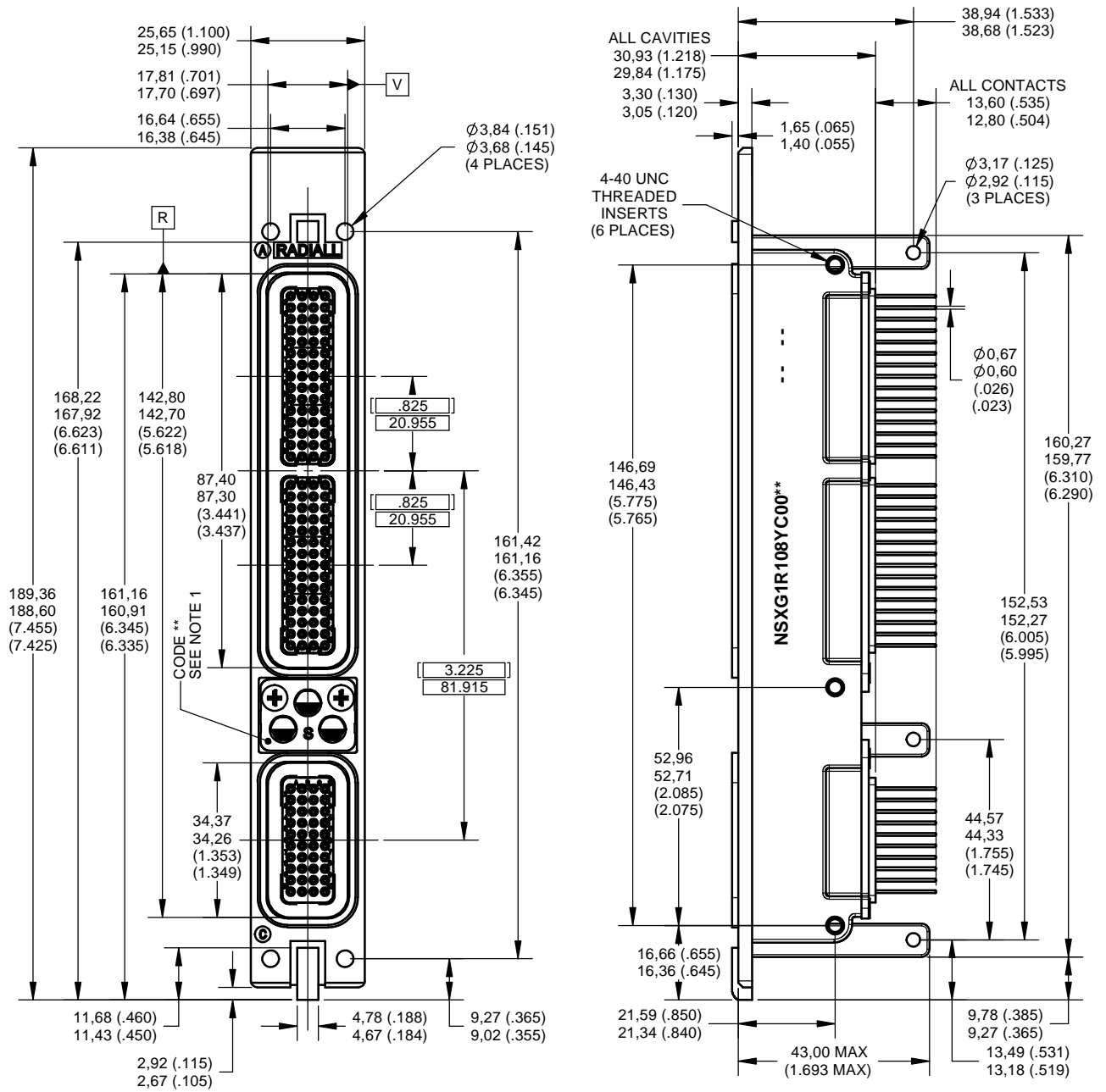
Series
NSX

NON ENVIRONMENTAL SIZE 1 RECEPTACLE CONNECTOR
60 - 60 - 40 INSERTS

Issue:
May 05, 2014

Page
1/3

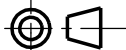
This document contains proprietary information and such information shall not be disclosed to any third party for any purpose whatsoever or used for manufacturing purposes without prior written agreement from RADIALL. This information is given as an indication. In the continual goal to improve our products, we reserve the right to make any modifications judged necessary.



NOTE 1 :

** REPRESENTS THE POLARIZATION CODE AND IS CONFORM WITH ARINC 600 POLARIZATION POSITION
WITHOUT POLARIZATION CODE, THE CONNECTOR IS DELIVERED WITH POLARIZATION HARDWARE UNASSEMBLED
CODE 00 : THE CONNECTOR IS DELIVERED WITHOUT POLARIZING KEY

DIMENSIONS : mm (inch are given for information only)



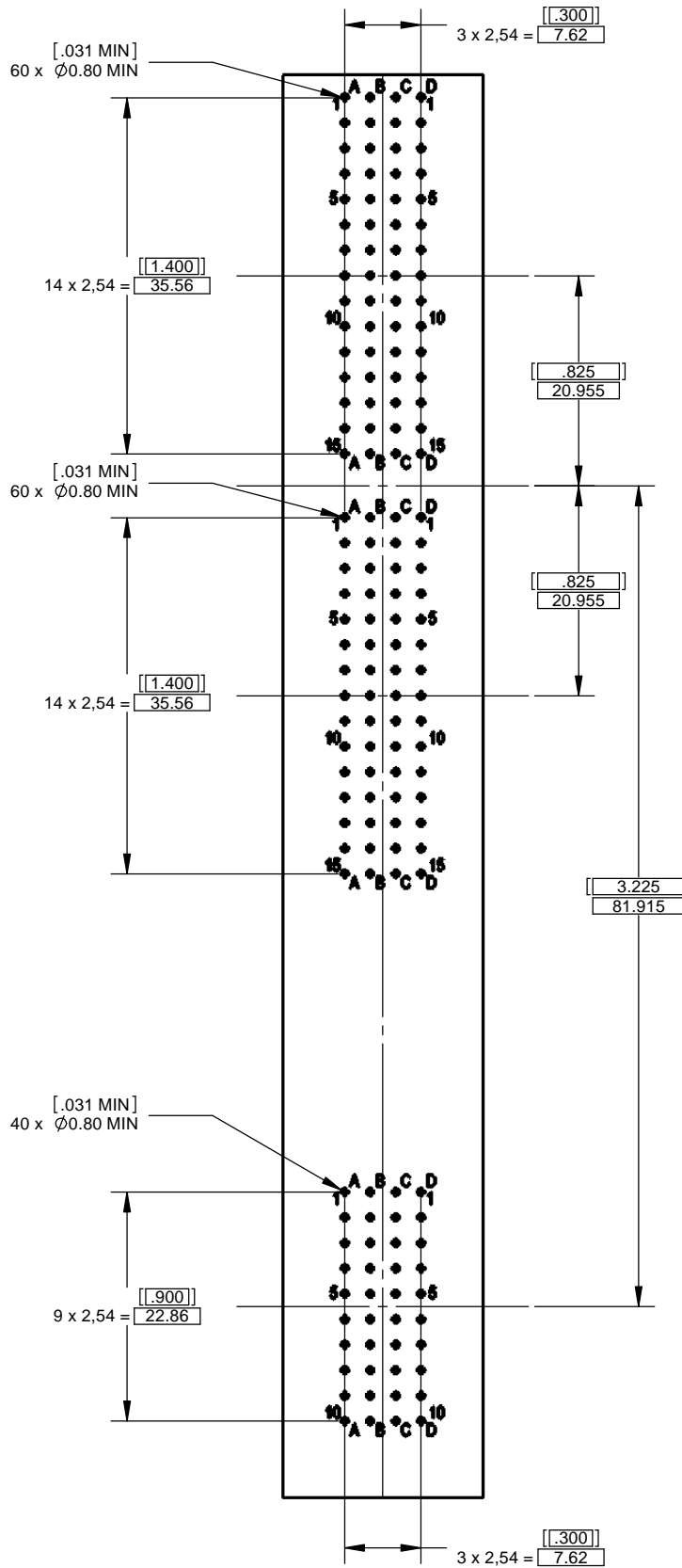
Estimated weight : 196 g

4112_9311

| | | | | | |
|--------------------|-----------|------|----------|--|--|
| CREATION | | | | | |
| PEN: / | | | | | |
| NOM: RAMOS D. | | | | | |
| DATE: May 05, 2014 | | | | | |
| APPR.: DUPUIS V. | | | | | |
| Issue | Revisions | Name | Approved | | |

**RECOMMENDED
PC DRILL PATTERN
CONNECTOR SIDE**

Issue: May 05, 2014 Page 2/3



This document contains proprietary information and such information shall not be disclosed to any third party for any purpose whatsoever or used for manufacturing purposes without prior written agreement from RADIALL. This information is given as an indication in the continual goal to improve our products, we reserve the right to make any modifications judged necessary.

4112_9311

MATERIAL :

- SHELL : DIE CAST ALUMINUM ALLOY PER SAE AMS-QQ-A-591
- INSERT RETENTION PLATES : ALUMINUM ALLOY PER ASTM B 209
- POLARIZING RETENTION PLATE : ALUMINUM ALLOY PER SAE AMS-QQ-A-250
- POLARIZING KEYS : ZINC ALLOY PER ASTM B 86
- INSERTS : REINFORCED EPOXY RESIN PER ASTM D 5948 OR HIGH GRADE THERMOPLASTIC
- CONTACT RETENTION CLIPS : BERYLLIUM COPPER PER ASTM B 194
- CONTACTS :
 - BODY : LEADED NICKEL COPPER
 - PROTECTIVE SLEEVE : STAINLESS STEEL PER SAE AMS-5514
- COVER : THERMOPLASTIC CONDUCTIVE ELASTOMER
- SCREWS : CORROSION RESISTANT MATERIAL

FINISH :

- SHELL : CHROMATATION PER MIL-DTL-5541, TYPE II, CLASS 3
- INSERT RETENTION PLATES : BLUE ANODIZED PER MIL-A-8625
- POLARIZING RETENTION PLATE : ANODIC OXYDATION PER MIL-A-8625 CLASS 2 TYPE IIB
- POLARIZING KEYS : ELECTROLESS NICKEL PER SAE AMS-2404
- CONTACT BODY : PLATING .00005 INCH OF GOLD PER MIL-DTL-45204 OVER NICKEL PER AMS 2403
- CONTACT PROTECTIVE SLEEVE : PASSIVATED

NOTES :

- INSERT LAYOUT :
 - CAVITY A : 60 FOR FRONT RELEASE, FRONT REMOVABLE SIGNAL CONTACTS
 - CAVITY B : 60 FOR FRONT RELEASE, FRONT REMOVABLE SIGNAL CONTACTS
 - CAVITY C : 40 FOR FRONT RELEASE, FRONT REMOVABLE SIGNAL CONTACTS
- CONNECTOR SUPPLIED WITH:
 - 160 SIZE 22 FRONT RELEASE, FRONT REMOVABLE PC POST SOCKET CONTACTS P/N : 620363 (INSTALLED)
 - COVER P/N : 620995011 & 620995012 (INSTALLED)
- MARKING: CONNECTOR AND PACKAGING MUST BE MARKED WITH : NSXG1R108YC00** + DATE CODE
 (CODE ** : SEE NOTE 1 PAGE 1)