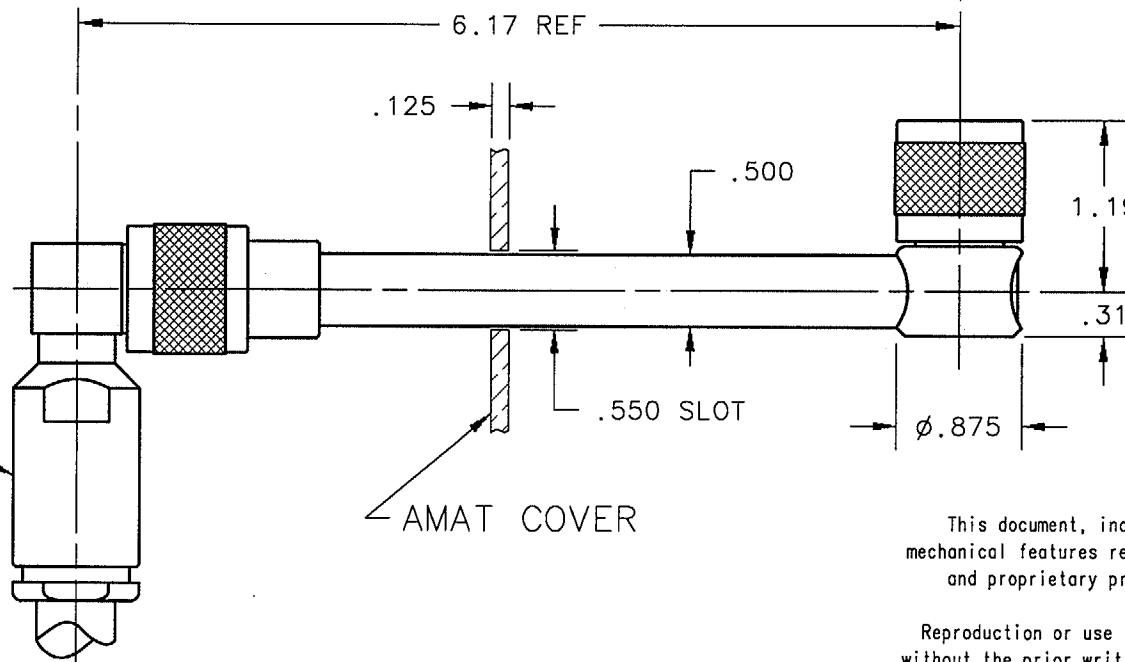
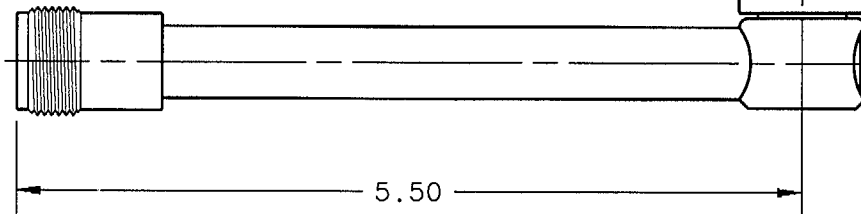


DWG. NO

TRU-8432-SNT

HN FEMALE  
INTERFACE

HN MALE  
INTERFACE



REF: TRU-5450  
HN(m), PLUG, R/A

AMAT COVER

This document, including the design, configuration and mechanical features revealed herein are the sole, confidential and proprietary property of Tru-Connector Corporation.

Reproduction or use thereof, in whole or part, is prohibited without the prior written consent of Tru-Connector Corporation.

MATERIAL

INSULATORS - TEFLON  
GASKET - SILICONE RUBBER  
FEMALE CONTACT - BERYLLIUM COPPER  
OTHER METAL PARTS - BRASS

FINISH

CONTACTS - SILVER PLATED  
OTHER METAL PARTS - NICKEL PLATED



CAGE-92180

TRU-CONNECTOR CORPORATION

245 LYNNFIELD STREET  
PEABODY, MASSACHUSETTS 01960  
phone: 978-532-0775  
fax: 978-531-6993  
E-mail: trusales@tru-con.com

DESCRIPTION

CONNECTOR, COAXIAL, RF  
SERIES: HN(f) to HN(m)  
ADAPTER, RIGHT ANGLE

DRAWN BY WWW	DATE 5-11-99	SCALE 3/4	CHKD. BY <i>[Signature]</i>	FILE AS TRU-8432-SNT
REFERENCE AMAT 0720-05431	THIRD ANGLE PROJECTION 	DWG. NO. TRU-8432-SNT		