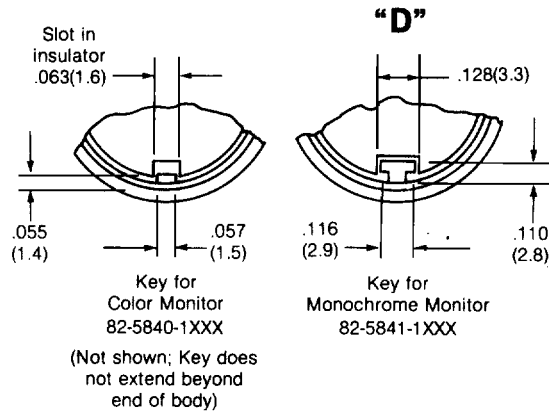
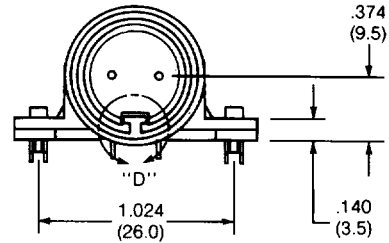
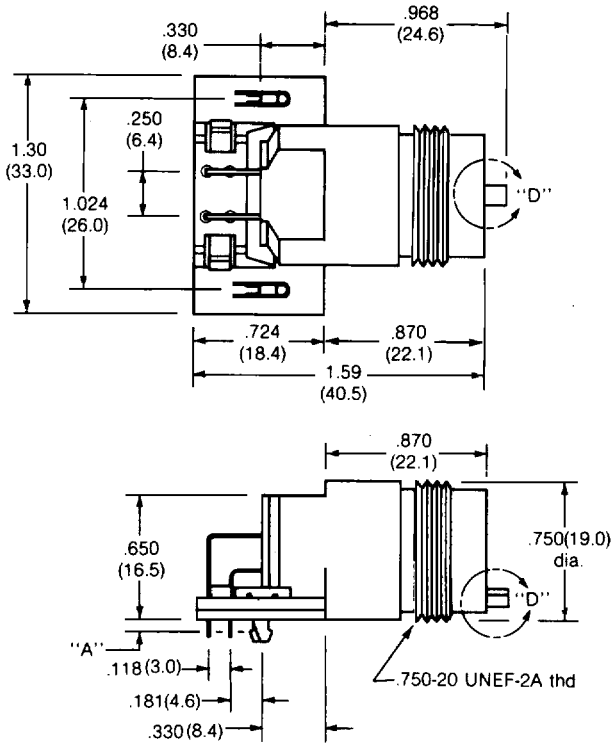
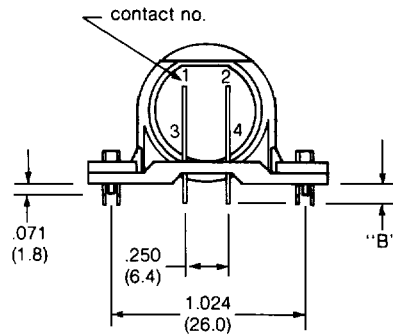
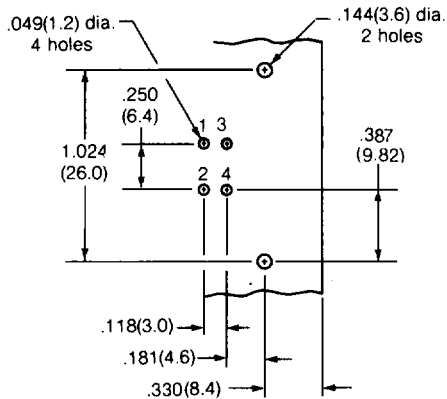


# TWINAX right angle printed circuit board receptacles

## dimensions, inches (millimeters)

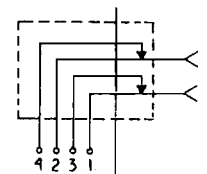


## mounting detail



## order information – for right-angle PCB receptacles and mating plugs

Monitor Type	Right-Angle Twinax PCB Receptacles				Mating Twinax Plugs		
	Amphenol Part No.	IBM Cross-ref.	Dimensions, in.(mm)		Amphenol Part No.	IBM Cross-ref.	Construction Notes
			"A" PC Board Thickness	"B" Clip Length			
Color	82-5840-1062	6342826	.062(1.6)	.118(3.0)	82-5589	7362229	—
	82-5840-1090	—	.090(2.3)	.146(3.7)	82-5589-1007	—	Flammability rated 94V-1
	82-5840-1125	—	.125(3.2)	.181(4.6)	82-5589	7362229	—
Mono-Chrome	82-5841-1062	6457101	.062(1.6)	.118(3.0)	82-5589-1007	—	Flammability rated 94V-1
	82-5841-1090	—	.090(2.3)	.146(3.7)	82-5589-1006	—	Flammability rated 94V-1
	82-5841-1125	—	.125(3.2)	.181(4.6)			



schematic