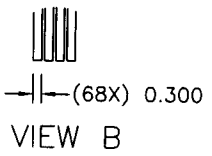
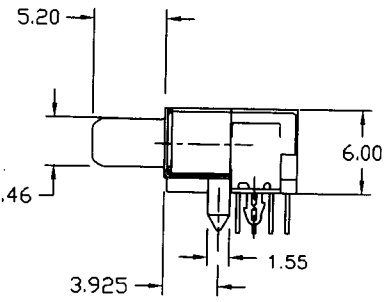
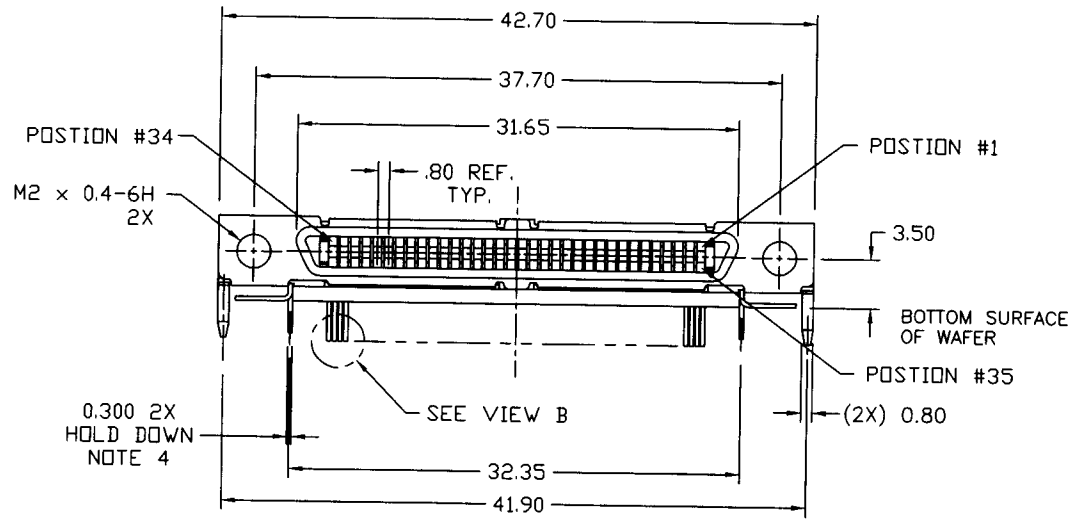
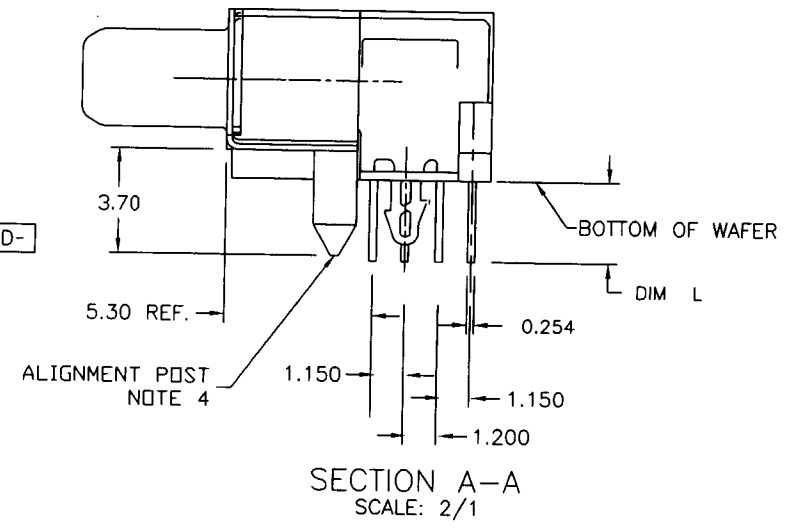
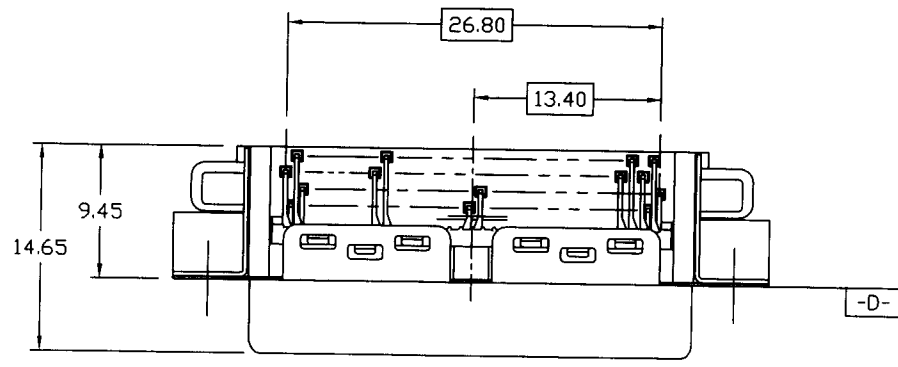


Tous droits strictement reserves. Reproduction ou communication a des tiers interdite sous quelque forme que ce soit sans autorisation ecrite du proprietaire. Propriete de c FCI. Droits de reproduction FCI.

All rights strictly reserved. Reproduction or issue to third parties in any form whatever is not permitted without written authority from the proprietor. Property of FCI. Copyright FCI.

PRODUCT NUMBER
SEE SHT. 3



mat'l. code SEE NOTES SHT. 3				tolerances unless otherwise specified		CUSTOMER COPY	Electronics www.fciconnect.com
ltr	ecn no	dr	date				
C	V71444	SAR	10/21/97	linear	.X±.3		68 POSITION RIGHT ANGLE RECEPTACLE
D	V81853	RGD	10/20/98		.XX±.13		
E	V82178	RGD	12/30/98	angles	.XXX±.051		
F	V91235	RGD	7/26/99	dr	0° ± 2'	MM	product family VHDCI
G	V92051	RGD	10/18/99	engr	R.DARROW 9/23/96	scale	size
H	V92142	RGD	12/6/99	chr	D.HORCHLER 9/25/96		A4
J	V00420	RGD	1/20/00	appd	D.HORCHLER 6/2/97	2:1	72400
sheet index	revision sheet	J	H	J			code
		1	2	3			22526

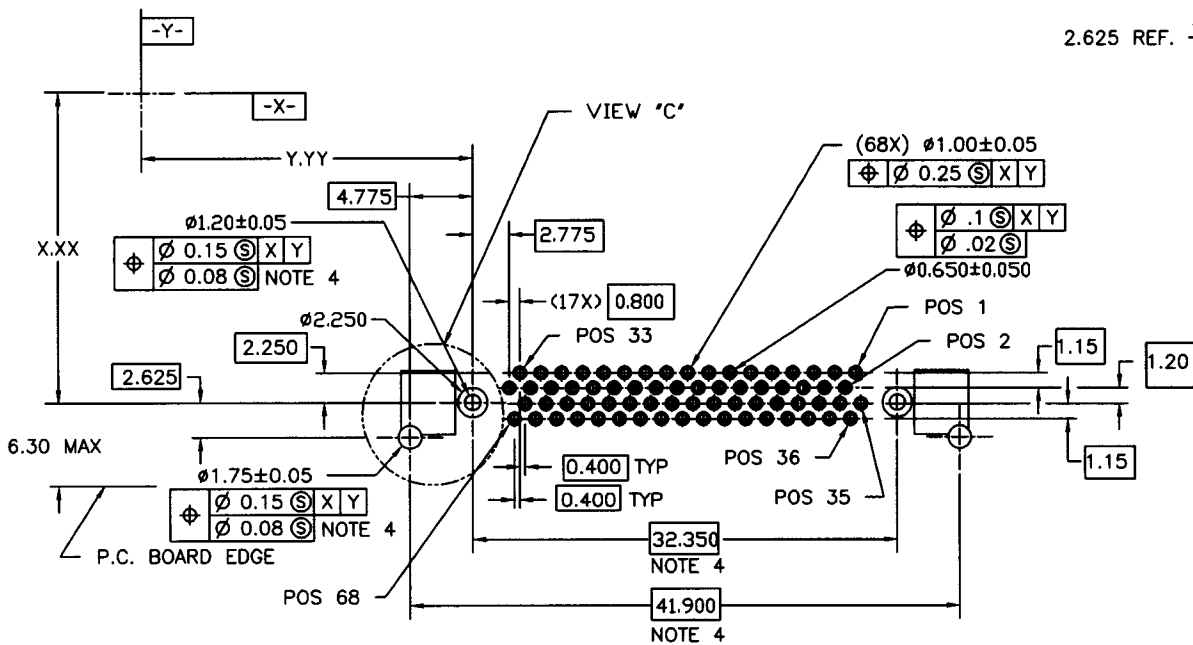
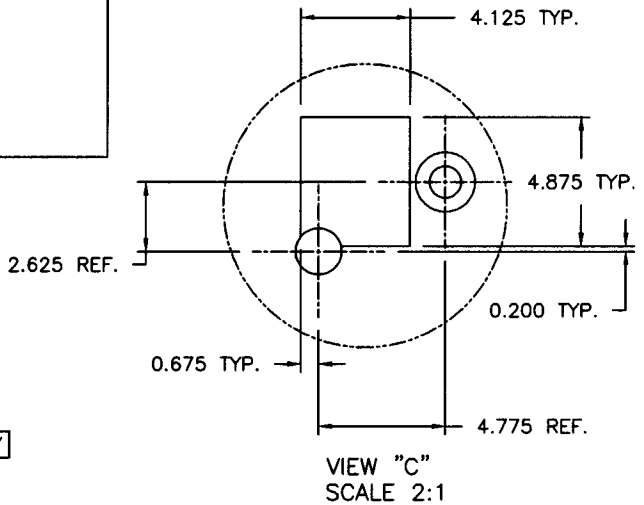
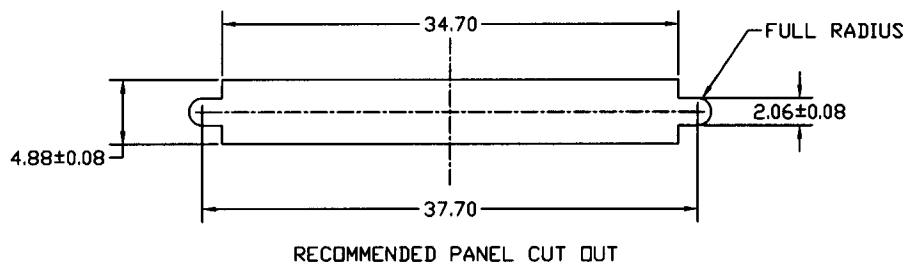
ACAD

cage code
22526

Tous droits strictement reserves. Reproduction ou communication a des tiers interdite sous quelque forme que ce soit sans autorisation écrite du propriétaire. Propriete de c FCI. Droits de reproduction FCI.

All rights strictly reserved. Reproduction or issue to third parties in any form whatever is not permitted without written authority from the proprietor. Property of FCI. Copyright FCI.

PRODUCT NUMBER
SEE SHT. 3



PC BOARD MOUNTING DIMENSIONS
68 POSITION SIZE SHOWN

mat'l. code		tolerances unless otherwise specified		CUSTOMER COPY		Electronics www.fciconnect.com	
SEE NOTES SHT. 3						title	
ltr	ecn no	dr	date	linear	.XX±.3	projection	68 POSITION RIGHT ANGLE RECEPTACLE
H					.XX±.13		product family
				angles	.XXX±.051		VHDCI
					0° ±2°	MM	code
				dr	D.HORCHLER	4/9/97	size
				enrg	D.HORCHLER	4/9/97	dwg no
				chr	D.HORCHLER	4/9/97	A4
				appd	D.HORCHLER	4/9/97	72400
sheet index	revision sheet			scale	2:1		sheet 2 of

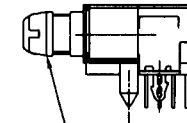
cage code
22526

ACAD

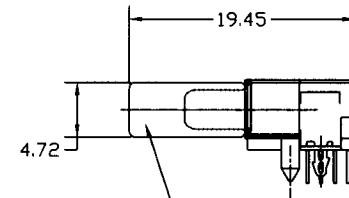
Tous droits strictement reserves. Reproduction ou communication a des tiers Interdite sous quelque forme que ce soit sans autorisation écrite du propriétaire. Propriete de c FCI. Droits de reproduction FCI.

All rights strictly reserved. Reproduction or issue to third parties in any form whatever is not permitted without written authority from the proprietor. Property of FCI. Copyright FCI.

PRODUCT NUMBER	HIGH RETENTION HOLD DOWN	LOW INSERTION HOLD DOWN	OPTIONAL SCREW LOCK HARDWARE	OPTIONAL DUST COVER	TAIL LEGTH DIM. "L"
72400-001	X		NO	NO	2.08 FOR 1.60 THK. PCB
72400-002	X		NO	NO	2.87 FOR 2.38 THK. PCB
72400-003	X		NO	NO	3.81 FOR 2.67 THK. PCB
72400-004		X	NO	NO	2.08 FOR 1.60 THK. PCB
72400-005		X	NO	NO	2.87 FOR 2.38 THK. PCB
72400-006		X	NO	NO	3.81 FOR 2.67 THK. PCB
72400-007					
72400-101	X		YES	NO	2.08 FOR 1.60 THK. PCB
72400-102	X		YES	NO	2.87 FOR 2.38 THK. PCB
72400-103	X		YES	NO	3.81 FOR 2.67 THK. PCB
72400-104		X	YES	NO	2.08 FOR 1.60 THK. PCB
72400-105		X	YES	NO	2.87 FOR 2.38 THK. PCB
72400-106		X	YES	NO	3.81 FOR 2.67 THK. PCB
72400-107					
72400-201	X		YES	YES	2.08 FOR 1.60 THK. PCB
72400-202	X		YES	YES	2.87 FOR 2.38 THK. PCB
72400-203	X		YES	YES	3.81 FOR 2.67 THK. PCB
72400-204		X	YES	YES	2.08 FOR 1.60 THK. PCB
72400-205		X	YES	YES	2.87 FOR 2.38 THK. PCB
72400-206		X	YES	YES	3.81 FOR 2.67 THK. PCB
72400-207					
72400-301	X		NO	YES	2.08 FOR 1.60 THK. PCB
72400-302	X		NO	YES	2.87 FOR 2.38 THK. PCB
72400-303	X		NO	YES	3.81 FOR 2.67 THK. PCB
72400-304		X	NO	YES	2.08 FOR 1.60 THK. PCB
72400-305		X	NO	YES	2.87 FOR 2.38 THK. PCB
72400-306		X	NO	YES	3.81 FOR 2.67 THK. PCB
72400-307					
72400-901	NA	NA	NO	NO	0.95 FOR 0.58 THK. PCB



OPTIONAL 2mm SCREW LOCK



OPTIONAL DUST COVER

NOTE 4

NOTES:

- HOUSING, WAFER, CENTER SPACER, BLACK LCP, UL 94V-0 RATED, SUITABLE FOR IR AND VAPOR PHASE REFLOW SOLDERING, SHELL - STEEL CONTACTS - PHOSPHOR BRONZE GROUND TERMINALS - BRASS.
- SHELL, 5um MIN NICKEL OVER 2.5um MIN COPPER. CONTACTS, 0.076um MIN GOLD OVER 0.76um MIN PALLADIUM NICKEL ON MATING END, 3.75um MIN TIN-LEAD ON OPPOSITE END, BOTH OVER 1.27um MIN NICKEL. GROUND TERMINALS, 3.75um MIN BRIGHT TIN-LEAD OVER 1.27um MIN NICKEL.
- GROUND TERMINALS DESIGNED FOR USE ON 1.60±0.15 AND 2.38±0.15 THICK PC BOARD WITH PLATED THRU MOUNTING HOLES.
- 901ASSEMBLIES DO NOT HAVE PLASTIC PCB ALIGNMENT POST OR THROUGH HOLE HOLD DOWNS. THEREFORE CORRESPONDING THROUGH HOLES IN THE PCB ARE NOT REQUIRED.

mat'l. code SEE NOTES SHT. 3		tolerances unless otherwise specified		CUSTOMER COPY		 Electronics FCI www.fciconnect.com	
ltr	ecn no	dr	date	linear	.X±.3	projection	title
J					.XX±.13	 MM	68 POSITION RIGHT ANGLE RECEPTACLE
				angles	.XXX±.051		product family
				dr	D.HORCHLER 4/9/97	scale	code
				enrg	D.HORCHLER 4/9/97	2:1	-
				chr	D.HORCHLER 4/9/97	A4	size
				appd	D.HORCHLER 4/9/97	72400	dwg no
sheet index	revision sheet						sheet 3 of

cage code
22526