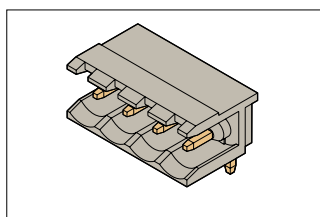


L 455 300 01 P.C.B. connectors

► Standard Range



Male socket.
Horizontal socket open.



Plug
TILE SHAPE

Pin 1 x 1 x 4.5 mm
.039" x .039" x .177"

P.C.B. thickness ≤ 2.4 mm .094"
P.C.B. holes Ø 1.3 mm .051"

Body : UL94 V0 - PA
Grey □

Spacing 5.08 mm .200"

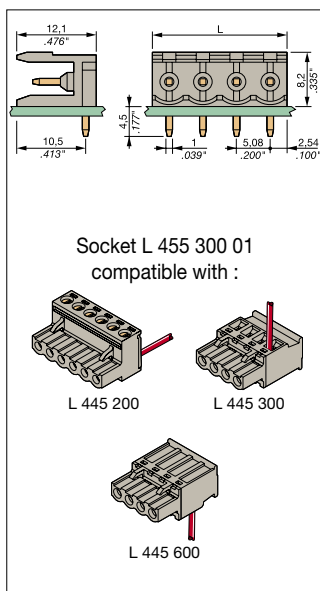
Ordering details

N. Poles	Weight kg	Packaging	L. mm	Order code
2	0.0007	2000	10.16	1SSA 455 302 R0100
3	0.0010	1600	15.24	1SSA 455 303 R0100
4	0.0013	1000	20.32	1SSA 455 304 R0100
5	0.0016	1000	25.40	1SSA 455 305 R0100
6	0.0020	1400	30.48	1SSA 455 306 R0100
7	0.0023	1250	35.56	1SSA 455 307 R0100
8	0.0026	1000	40.64	1SSA 455 308 R0100
9	0.0029	900	45.72	1SSA 455 309 R0100
10	0.0033	800	50.80	1SSA 455 310 R0100
11	0.0036	750	55.88	1SSA 455 311 R0100
12	0.0039	700	60.96	1SSA 455 312 R0100



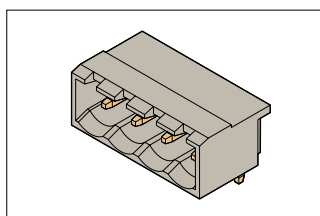
Technical data

	IEC	UL / CSA
Wire size		
Screw	Solid wire Stranded wire With ferrule	
Rated voltage	250 V	300 V
Rated current	12 A	10 A
Short-circuit current		
Rated wire size / Gauge		
Storage temperature range	-20 ~ +80 °C	
Insulation resistance	≥ 10 ⁹ Ω	
Wire stripping length		
Recommended screwdriver		
Recommended torque		
Protection		



L 455 300 11 P.C.B. connectors

► Standard Range



Male socket.
Horizontal socket closed.



Plug
TILE SHAPE

Pin 1 x 1 x 4.5 mm
.039" x .039" x .177"

P.C.B. thickness ≤ 2.4 mm .094"
P.C.B. holes Ø 1.3 mm .051"

Body : UL94 V0 - PA
Grey □

Spacing 5.08 mm .200"

Ordering details

N. Poles	Weight kg	Packaging	L. mm	Order code
2	0.0008	2000	11.56	1SSA 455 302 R1100
3	0.0011	1600	16.64	1SSA 455 303 R1100
4	0.0015	1000	21.72	1SSA 455 304 R1100
5	0.0019	1000	26.80	1SSA 455 305 R1100
6	0.0023	1400	31.88	1SSA 455 306 R1100
7	0.0026	1250	36.96	1SSA 455 307 R1100
8	0.0030	1000	42.04	1SSA 455 308 R1100
9	0.0034	900	47.12	1SSA 455 309 R1100
10	0.0038	800	52.20	1SSA 455 310 R1100
11	0.0041	750	57.28	1SSA 455 311 R1100
12	0.0045	700	62.36	1SSA 455 312 R1100



Technical data

	IEC	UL / CSA
Wire size		
Screw	Solid wire Stranded wire With ferrule	
Rated voltage	250 V	300 V
Rated current	12 A	10 A
Short-circuit current		
Rated wire size / Gauge		
Storage temperature range	-20 ~ +80 °C	
Insulation resistance	≥ 10 ⁹ Ω	
Wire stripping length		
Recommended screwdriver		
Recommended torque		
Protection		

