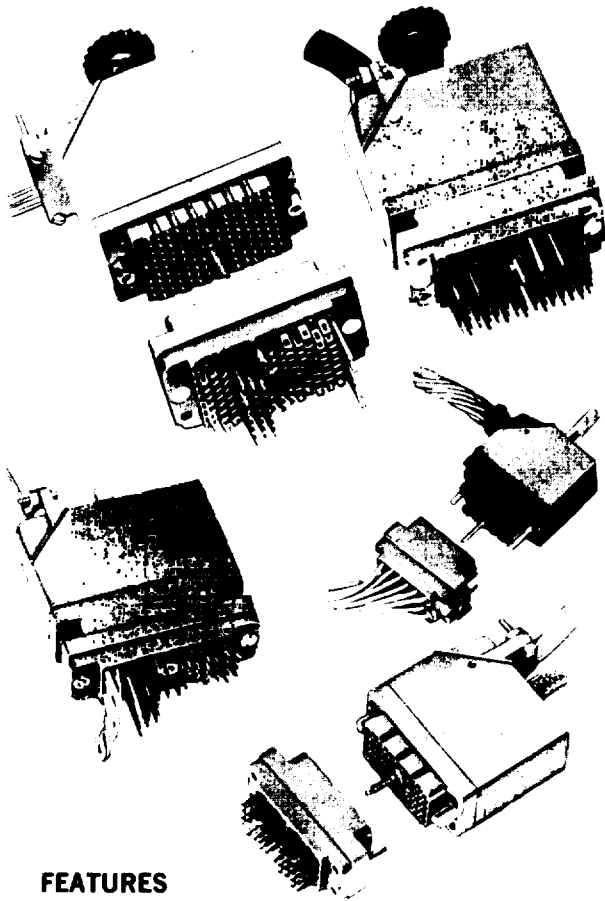


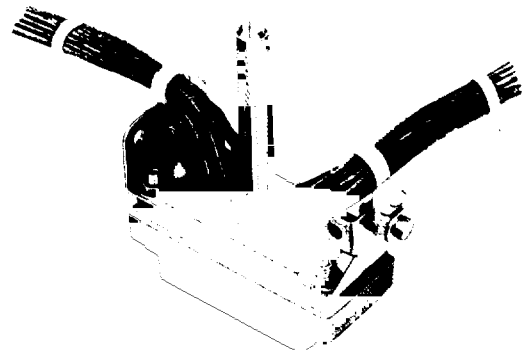
# GRID PATTERN .075" x .130" & .150"

## series 8016



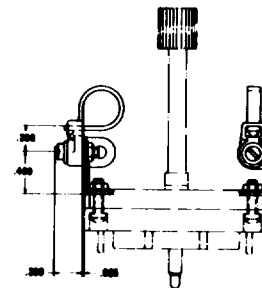
### FEATURES

- Available in five sizes: 20, 38, 56, 90 and 120 contacts
- Insertable/removable VARILOK contacts
- Crimp, solder, solderless wrap, and taper tab terminations
- Exceptional versatility: all hardware can be mounted on plug or receptacle (see ordering code)
- Actuating screw facilitates mating and unmating, locks mated connectors together
- Polarizing hardware can be set to any of six positions at factory; can also be reset by user (see polarizing code)
- Optional cover with top or side cable entry and clamp
- Optional cable strain relief clamp with adjustable strap for large or small cable bundles (fits on sizes 38 and 56)
- Plug and receptacle contacts are protected from mishandling
- Guide pins and sockets ensure correct alignment when mating
- U.L. recognized polyester material
- Aluminum covers and lower cost equivalent zinc covers.
- CSA acceptable polyester material
- QPL Approved polyester material.



### CABLE STRAIN RELIEF CLAMP

- Adjustable for large or small cable bundles
- Versatile clamp assembly permits mounting in various directions. Can be mounted on plug and/or receptacle.
- Order Number 30-8026-9601 for plug and cable-to-cable applications.
- Order Number 30-8026-9602 for receptacle applications.
- Available for sizes 38 and 56.



### SPECIFICATIONS

CURRENT RATING: 8 amperes, maximum.

CONTACT RESISTANCE: 6 milliohms, maximum.

CONTACT MATERIAL: Phosphor bronze

CONTACT PLATING: Gold, 10 microinches min., over nickel, 50-100 microinches.

INSULATOR MATERIAL: Thermoplastic 94V-O glass filled polyester.

INSULATION RESISTANCE: 5,000 megohms, min. (polyester).

Sea level: 1250 volts RMS  
3.4" Hg: 625 volts RMS

COVER AND CLAMP MATERIAL AND FINISH: Aluminum or zinc with clear chromate under grey enamel finish or with cadmium chromate under olive drab per MIL-F-14072. Plastic cover available for 20,38 and 56 sizes only.

MILITARY SPECIFICATION: MIL-C-28731 (When material is ordered per MIL-specification requirements)  
*See catalog QPL listing.*

COMMERCIAL SPECIFICATION: Covered under the components recognition program of Underwriters' Laboratory, Inc. File No. E-27610.

# series 8016 rectangular connector

## ORDERING CODE FOR SERIES 8016

COMPLETE A 15 DIGIT ASSEMBLY NUMBER FOR EACH MATING PART, PLUG AND RECEPTACLE.

ASSEMBLY NUMBER

XX - 8016 - 020 - 216 - 803

- MATERIAL CODE: 00-Commercial 53-Military
- NUMBER OF CONTACTS: 20, 38, 56, 90, 120
- CONTACT CODE:

NOTE — For factory-installed contacts, use three-digit code no. For loose contacts, use code no. 000 and order contacts separately by part no. (Crimp contacts can only be ordered separately.) ORDER Contacts as 60-8017-0XXX-00-339.

1216—60 8017 04 13	
.078 Taper Tab	
1217—60 8017 05 13	
Wire Hole	
1218—60 8017 06 13	
Solderless Wrap Tail — 024" x 050" x 567"	
1750—60 8017 06 23	
Solderless Wrap Tail — 024" x 050" x 760"	
296—60 8017 06 33	
Solderless Wrap Tail — 025" x 025" x 580"	
504—60 8017 06 63	
Solderless Wrap Tail — 025" x 025" x 170"	
000—60 8017 03 13	
Wire Crimp Tail (Contacts Loose)	
Accepts #18 - #26 AWG wire	
000—60 8017 03 23	
Wire Crimp Tail (Contacts on a Reel)	

Contact terminations should be insulated because they protrude from insulator. Note that whether or not cover can be used depends on wire size, insulation thickness, number of contacts, etc.

- VARIATION CODE:

### 20 CONTACTS \* \*

INSULATOR BODY TYPE*	VARIATION CODE				COVER & CABLE ENTRANCE	ACTUATING SCREW	FIXED NUT
	ALUMINUM COVER		NO COVER				
	POLYESTER GREEN	POLYESTER GRAY	POLYESTER GREEN	POLYESTER GRAY			
MALE (EXPOSED CONTACTS)	—	—	601	501	NONE	YES	NO
	—	—	602	502	NONE	NO	YES
	603	503	—	—	TOP**	YES	NO
	604	504	—	—	SIDE**	YES	NO
	605	505	—	—	TOP**	NO	YES
606	506	—	—	SIDE**	NO	YES	
FEMALE (RECESSED CONTACTS)	—	—	607	507	NONE	NO	YES
	—	—	608	508	NONE	YES	NO
	609	509	—	—	TOP**	YES	NO
	610	510	—	—	SIDE**	YES	NO
	611	511	—	—	TOP**	NO	YES
612	512	—	—	SIDE**	NO	YES	
MALE (EXPOSED CONTACTS)	—	—	613	513	NONE	NO	NO
	614	514	—	—	TOP**	NO	NO
	615	515	—	—	SIDE**	NO	NO
FEMALE (RECESSED CONTACTS)	—	—	616	516	NONE	NO	NO
	617	517	—	—	TOP**	NO	NO
	618	518	—	—	SIDE**	NO	NO

\* \* Use cover only with crimp contacts.

### 90 OR 120 CONTACTS

Insulator Body Type	Variation Code						Cover & Cable Entrance	Actuating Screw	Fixed Nut		
	Aluminum Cover			No Cover							
	POLYESTER GREEN	POLYESTER GRAY	POLYESTER GRAY	POLYESTER GREEN	POLYESTER GRAY	POLYESTER GRAY					
Male (Exposed Contacts)	Large Clamp	Ex Large Clamp	Large Clamp	Ex Large Clamp	—	—	601	501	NONE	YES	NO
	—	—	—	—	—	—	602	502	NONE	NO	YES
	603	631	503	531	—	—	—	—	TOP	YES	NO
	604	632	504	532	—	—	—	—	SIDE	YES	NO
	605	633	505	533	—	—	—	—	TOP	NO	YES
	606	634	506	534	—	—	—	—	SIDE	NO	YES
Female (Recessed Contacts)	—	—	—	—	—	—	607	507	NONE	NO	YES
	—	—	—	—	—	—	608	508	NONE	YES	NO
	609	635	509	535	—	—	—	—	TOP	YES	NO
	610	636	510	536	—	—	—	—	SIDE	YES	NO
	611	637	511	537	—	—	—	—	TOP	NO	YES
	612	638	512	538	—	—	—	—	SIDE	NO	YES

### 38 OR 56 CONTACTS

Insulator Body Type	Variation Code						Cover & Cable Entrance	Actuating Screw	Fixed Nut		
	Aluminum Cover			No Cover							
	POLYESTER GREEN	POLYESTER GRAY	POLYESTER GRAY	POLYESTER GREEN	POLYESTER GRAY	POLYESTER GRAY					
Male (Exposed Contacts)	Small Clamp	Large Clamp	Ex Lg Clamp	Small Clamp	Large Clamp	Ex Lg Clamp	601	501	NONE	YES	NO
	—	—	—	—	—	—	602	502	NONE	NO	YES
	603	619	631	503	519	531	—	—	TOP	YES	NO
	604	620	632	504	520	532	—	—	SIDE	YES	NO
	605	621	633	505	521	533	—	—	TOP	NO	YES
	606	622	634	506	522	534	—	—	SIDE	NO	YES
Female (Recessed Contacts)	—	—	—	—	—	—	607	507	NONE	NO	YES
	—	—	—	—	—	—	608	508	NONE	YES	NO
	609	623	635	509	523	535	—	—	TOP	YES	NO
	610	624	636	510	524	536	—	—	SIDE	YES	NO
	611	625	637	511	525	537	—	—	TOP	NO	YES
	612	626	638	512	526	538	—	—	SIDE	NO	YES
Male (Exposed Contacts)	—	—	—	—	—	—	613	513	NONE	NO	NO
	614	627	639	514	527	539	—	—	TOP	NO	NO
	615	628	640	515	528	540	—	—	SIDE	NO	NO
Female (Recessed Contacts)	—	—	—	—	—	—	616	516	NONE	NO	NO
	617	629	641	517	529	541	—	—	TOP	NO	NO
	618	630	642	518	530	542	—	—	SIDE	NO	NO

### STANDARD VARIATION KEYING CODE

- INSULATOR BODY TYPE: \* P . G . 1 . G . 1
  - Male P
  - Female R
- LOCATION SIDE (LARGE DIA.): G S
  - Guide Pin G
  - Guide Socket S
- POSITIONS: 1 through 6
- LOCATION SIDE (SMALL DIA.): G S
  - Guide Pin G
  - Guide Socket S
- POSITIONS: 1 through 6

NOTES: 1. This example mates with R - S - 1 - S - 1

2. Use tool 06 199 02 to change polarization.

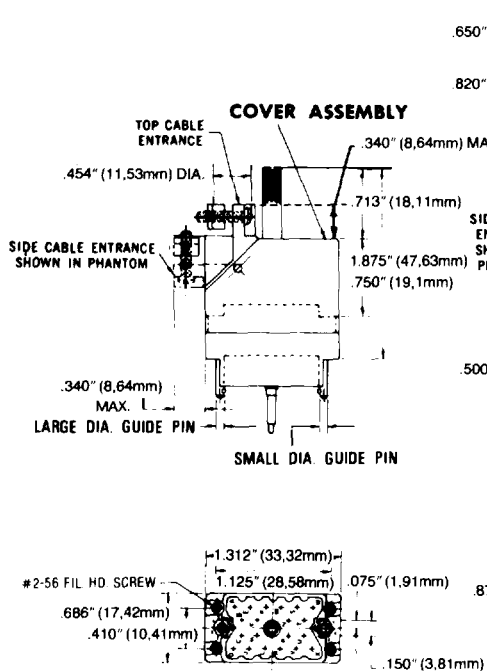
Recommended for standard applications. Available through ELCO franchised distributors.

# .075" (1,91mm) x .150" (3,81mm) & .130" (3,30mm)

# series 8016

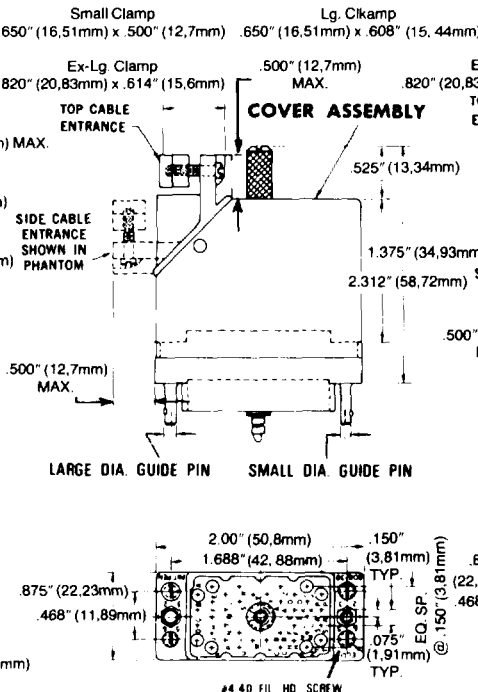
## 20 CONTACTS

### MALE PLUG (Exposed Contacts)



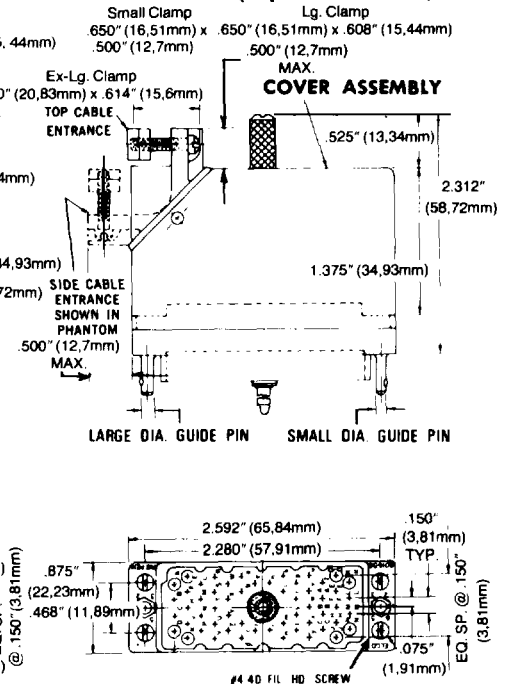
## 38 CONTACTS

### MALE PLUG (Exposed Contacts)

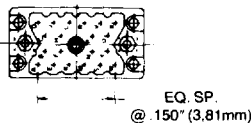


## 56 CONTACTS

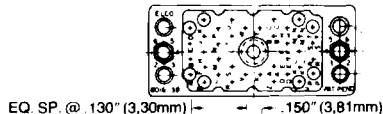
### MALE PLUG (Exposed Contacts)



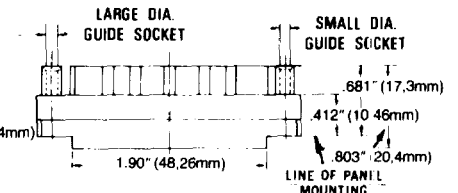
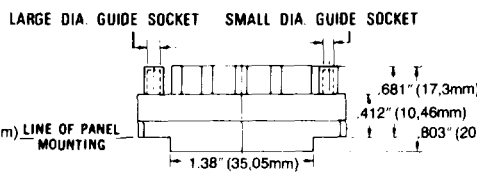
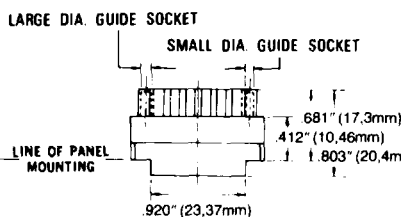
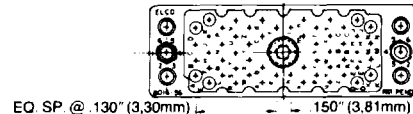
### FEMALE RECEPTACLE (Recessed Contacts)



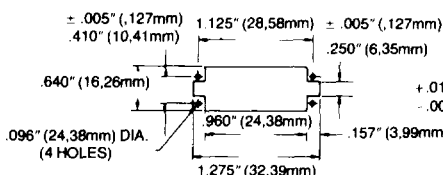
### FEMALE RECEPTACLE (Recessed Contacts)



### FEMALE RECEPTACLE (Recessed Contacts)

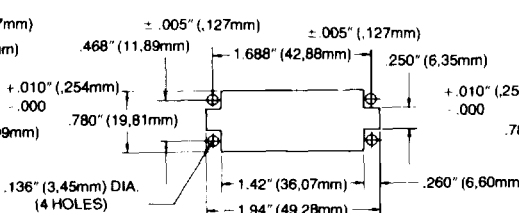


### RECOMMENDED CHASSIS LAYOUT

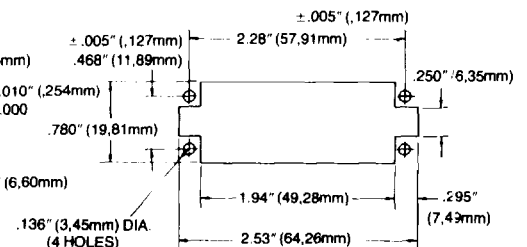


### RECOMMENDED CHASSIS LAYOUT

#### LAYOUT FOR FRONT CHASSIS MOUNTING



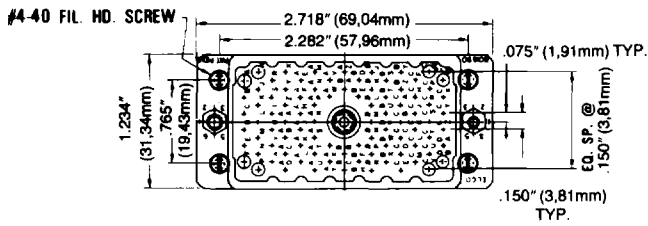
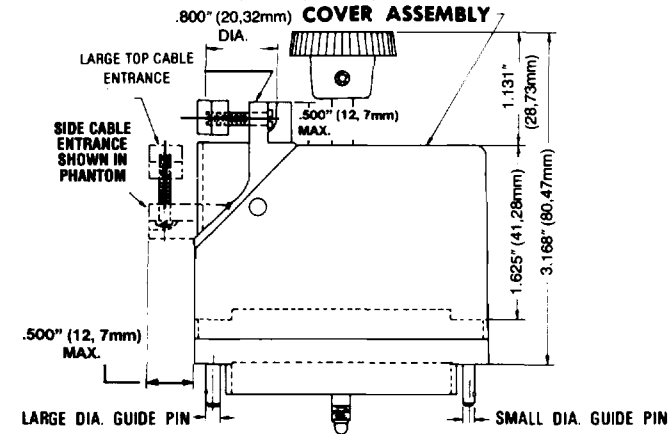
### RECOMMENDED CHASSIS LAYOUT



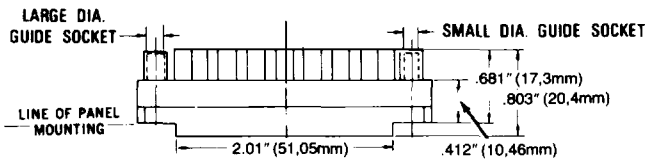
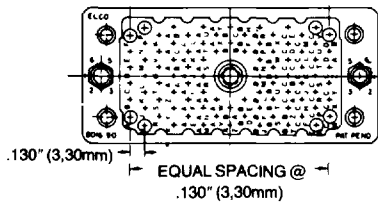
# 90 CONTACTS

## MALE PLUG (Exposed Contacts)

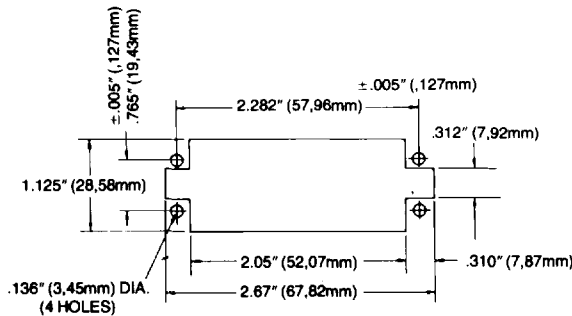
Ex.-Lg. Cable Entrance 1.00" (25,4mm) x .800" (20,32mm)



## FEMALE RECEPTACLE (Recessed Contacts)



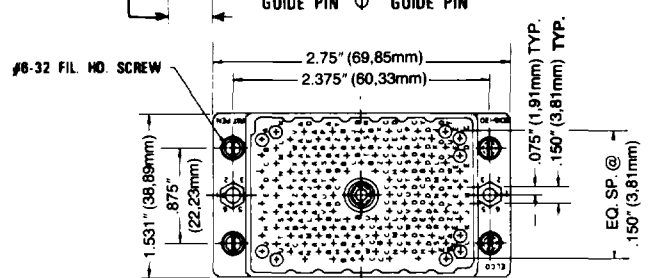
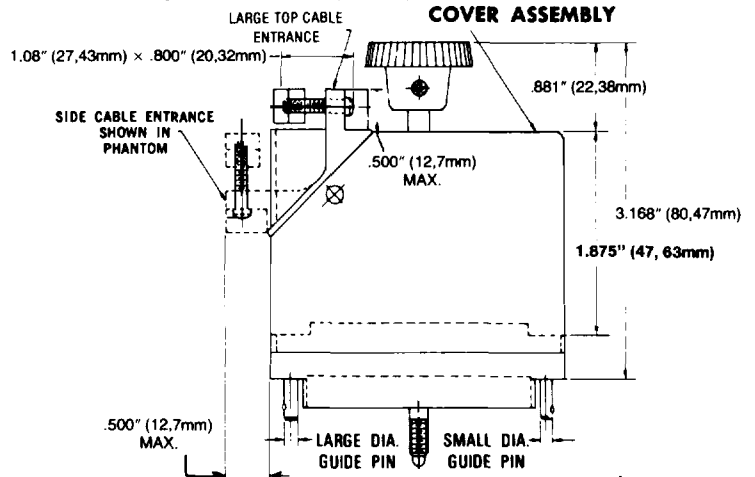
## RECOMMENDED CHASSIS LAYOUT



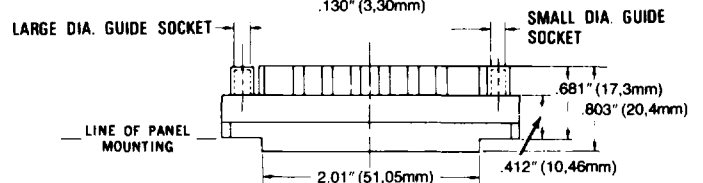
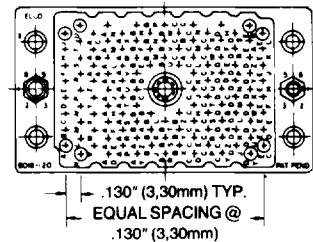
# 120 CONTACTS

## MALE PLUG (Exposed Contacts)

Ex.-Lg. Cable Entrance 1.10" (27,94mm) x 1.085" (27,56mm)



## FEMALE RECEPTACLE (Recessed Contacts)



## RECOMMENDED CHASSIS LAYOUT

