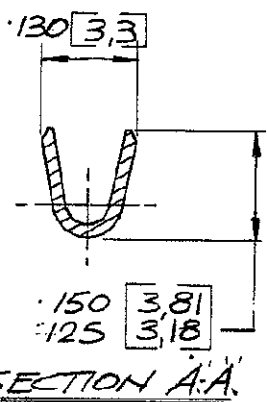
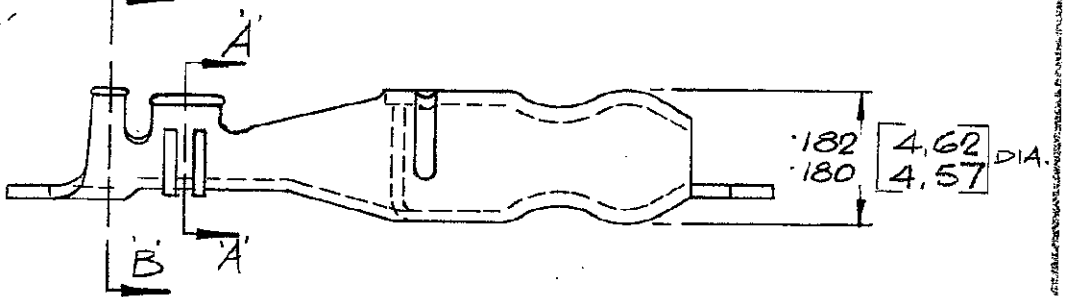
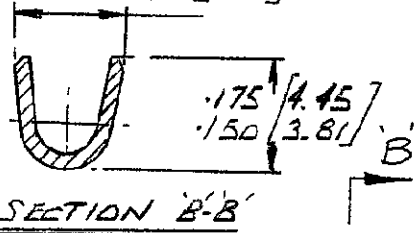
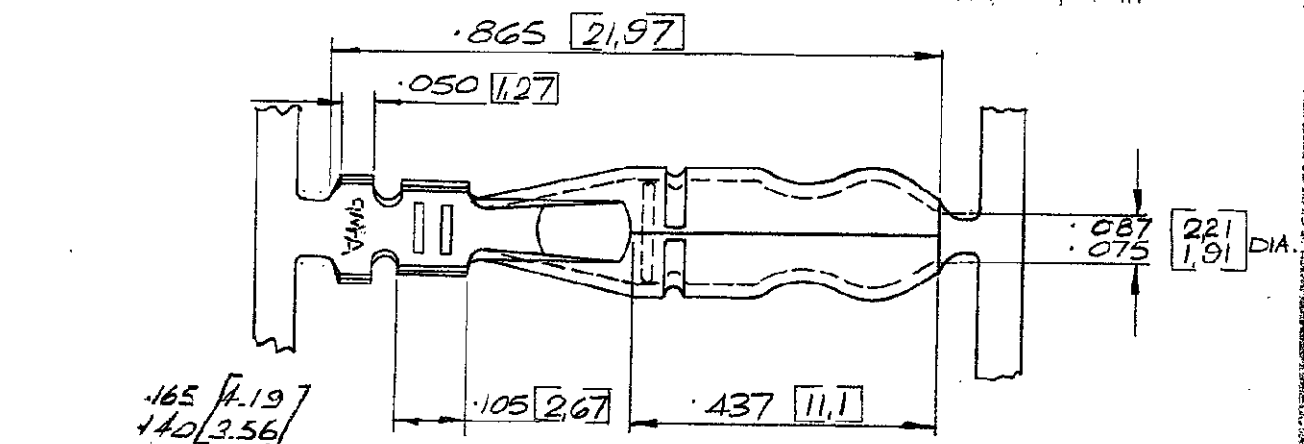


NUMBER
C.153209

3rd ANGLE (AMERICAN) PROJECTION

DIMENSIONS IN INCHES. DO NOT SCALE PRINT
DIMENSIONS THUS [] IN MM



BRASS	153209-4	NONE	
SPECIAL BRASS	153209-3	NONE	
BRASS	1-153209-2	ELECTRO TIN	REVERSE REELED
BRASS	1-153209-1	PRE TIN	REVERSE REELED
BRASS	153209-2	ELECTRO TIN	
BRASS	153209-1	PRE TIN	
MATERIAL	PART NO	FINISH	REMARKS

© AIRCRAFT-MARINE PRODUCTS
(GREAT BRITAIN) LTD 1971

CUSTOMER COPY
REFERENCE ONLY

D - 4 ADDED	C.S.	19-12-78	MATERIAL AND FINISH		A DIVISION OF AIRCRAFT-MARINE PRODUCTS (GREAT BRITAIN) LTD STANMORE, MIDDLEX			
C CUT-OUT DELETED	D.E.L.	14/16	-018 [0.46] THICK STOCK					
B - 3 ADDED	P.S.	1/74	SEE TABLE.	CLASS	WT-P			
A DM .087 WAS .085 .075	R.L.H.	30/1/73	WIRE - RANGE - INSULATION 18-16 [1.25-1.69]	TYPE	AUTOMATIC			
REVISION RECORD	OP	CHK	DATE	TOLERANCE EXCEPT AS NOTED	SCALE	LOC	IND	REV
P.J. MAGUIRE 24/6/71				± .010 (± .254) ± 10%	4:1	E	A	C-153209. D
CHK G. DELL 26/6/71				NAME	.180 [4.57] DIA SHUR PLUG.			