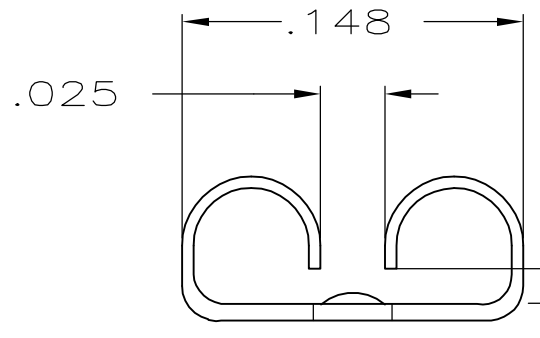
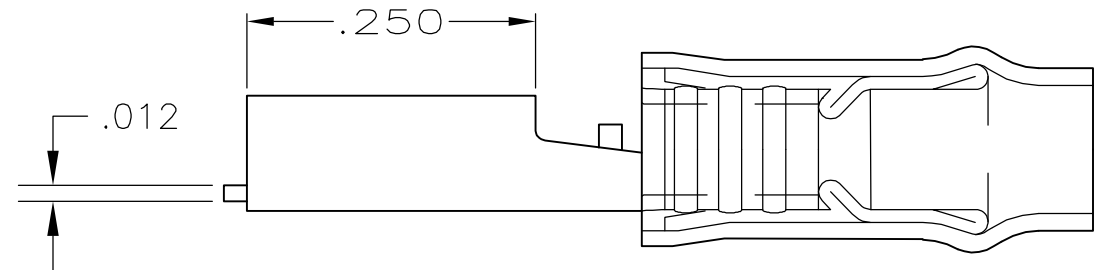
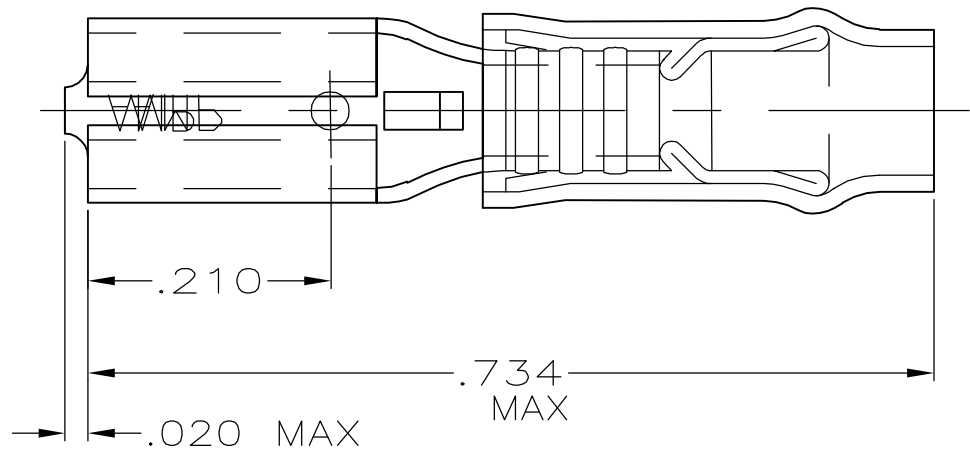


THIS DRAWING IS UNPUBLISHED. RELEASED FOR PUBLICATION  
 © COPYRIGHT - BY TYCO ELECTRONICS CORPORATION. ALL RIGHTS RESERVED.

LOC	DIST	REVISIONS					
G	14	P	LTR	DESCRIPTION	DATE	DWN	APVD
			N1	REV PER ECR 06-001832	24APR06	JR	TM

**AMP**  
WIRE RANGE

22-18 AWG  
STRANDED



FITS "110" SERIES FASTON TAB

1. WIRE INSULATION DIA .100 MAX

2. FITS TAB THK .020±.001

△3 SUPERSEDED BY 61060-1

△4 SUPERSEDED BY 8-61060-1

△5 MATERIAL & FINISH:  
 BODY - BRASS - PRE TIN PLATE  
 SLEEVE - NYLON, COLOR-SEE TABLE

△4	TRANSPARENT	50	LOOSE PIECE, BAG	8-61060-5
△4	TRANSPARENT	5	LOOSE PIECE, BLS	8-61060-4
	TRANSPARENT	100	LOOSE PIECE, BOX	8-61060-1
△3	BLACK	-	LOOSE PIECE	61060-3
	TRANSPARENT	5000	ON TAPE	61060-2
	TRANSPARENT	1000	LOOSE PIECE	61060-1
INSULATION COLOR		QTY	PACKAGE TYPE	PART NO

**AMP INCORPORATED**  
**CUSTOMER SERVICE SYSTEMS**

FOR ADDITIONAL PRODUCT INFORMATION OR COPIES OF DRAWINGS AND TECHNICAL DOCUMENTS  
 PRODUCT INFORMATION CENTER  
 1-800-522-6752

FOR APPLICATION TOOLING INFORMATION  
 TOOLING ASSISTANCE CENTER  
 1-800-722-1111

FOR ORDER ENTRY  
 1-800-526-5142

MAX RECOMMENDED OPERATING TEMPERATURE:  
 105°C [221°F]

VOLTAGE RATING:  
 300V MAX

CIRCULAR MIL AREA:  
 0.26-1.65mm² [509-3260]  
 STRANDED

THIS DRAWING IS A CONTROLLED DOCUMENT.

DIMENSIONS: INCHES

TOLERANCES UNLESS OTHERWISE SPECIFIED:

0 PLC	± -
1 PLC	± -
2 PLC	± .015
3 PLC	± -
4 PLC	± -
ANGLES	± -
FINISH	△5

MATERIAL: △5

DWN L OLMEDA 13NOV95  
 CHK M ELLIS 13NOV95  
 APVD B BARE 13NOV95

**tyco Electronics** Tyco Electronics Corporation  
 Harrisburg, Pa 17105-3608

NAME: RECEPTACLE, 110 SERIES, FASTON, PIDG, WIRE SIZE: 22-18

SIZE: A3 CAGE CODE: 00779 DRAWING NO: C-61060 RESTRICTED TO: -

WEIGHT: -

CUSTOMER DRAWING SCALE: 1:1 SHEET: 1 OF 1 REV: N1