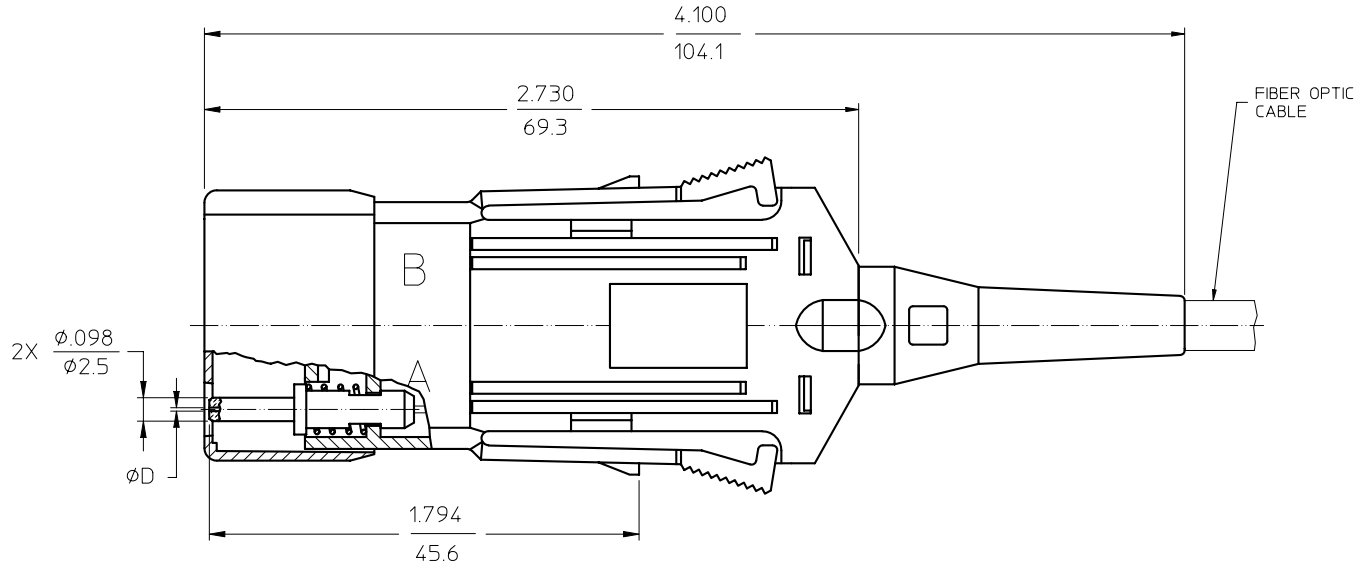
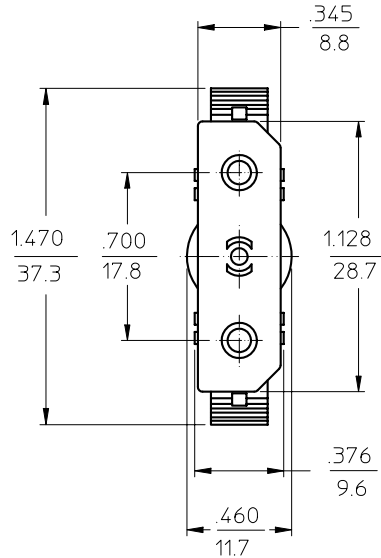


P/N of CONNECTOR	∅D (μm)	MATERIAL of FERRULE	TYPE of CABLE	
86040-0000	127	Zr PLUS	∅4.2 mm	MULTIMODE
86040-0100			∅4.8 mm	
86040-0200			ZIPCORD	
86040-3000	128	Zr	∅4.2 mm	
86040-3100			∅4.8 mm	
86040-3200			ZIPCORD	
86040-5000	126	Zr	∅4.2 mm	SINGLE MODE
86040-5100			∅4.8 mm	
86040-5200			ZIPCORD	

P/N of CONNECTOR	∅D (μm)	MATERIAL of FERRULE	TYPE of CABLE	
86040-8000	127	METAL	∅4.2 mm	MULTIMODE
86040-8100			∅4.8 mm	
86040-8200			ZIPCORD	



ALL DIMENSIONS ARE GIVEN IN  $\frac{\text{INCHES}}{\text{mm}}$



Fiber Optics, Inc.

Downers Grove, Illinois

RESTRICTED RELEASE  
DRAWING MAY CHANGE WITHOUT  
CUSTOMER NOTIFICATION

TITLE: ESCON CONNECTOR  
Drawing No. 86040-XX00 CD

Size	Scale	REV
B	25:1	B
Sheet	1 of 1	