

**PLEASE CHECK WWW.MOLEX.COM FOR LATEST PART INFORMATION**

**Part Number:** [0745400501](#)  
**Status:** **Active**  
**Overview:** [iPass Connector System](#)  
**Description:** PCIe Guide Frame, x4, for Standard Host Boards, With Blocking Key

**Documents:**

[3D Model](#) [Drawing \(PDF\)](#)  
[3D Model \(PDF\)](#) [RoHS Certificate of Compliance \(PDF\)](#)

**General**

Product Family	EMI Cages
Series	<a href="#">74540</a>
Application	Module-to-Board
Comments	For Standard Host Boards
Component Type	Guide Frame
Overview	<a href="#">iPass Connector System</a>
Product Name	PCI Express
Taxonomy	High-Speed Pluggable EMI Cages
UPC	822350705073

**Physical**

EMI Panel / Bezel Mount	Behind the Bezel
Light Pipes per Port	0
Material - Metal	Zinc Die Cast
Net Weight	12.980/g
Orientation	Horizontal
Packaging Type	Tray
Port Configuration	1x1
Rear Legs	0
Termination Interface: Style	N/A
Thermal Height	N/A
Thermal Solutions	Closed Top

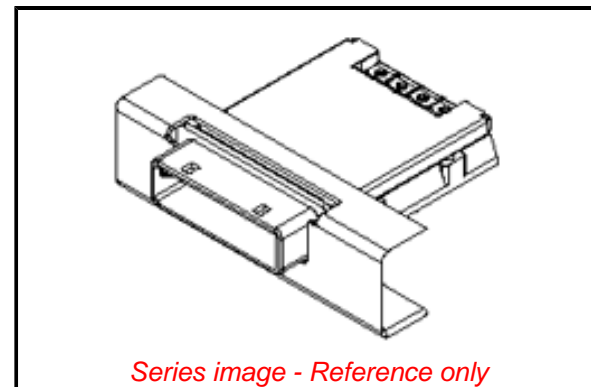
**Solder Process Data**

Lead-freeProcess Capability	N/A
-----------------------------	-----

**Material Info**

**Reference - Drawing Numbers**

Sales Drawing	745400401-ASY, SD-74540-401-001
---------------	---------------------------------



**EU ELV**

**Not Relevant**

**EU RoHS**

**Compliant**

**REACH SVHC**

Not Contained per -  
D(2022)4187-DC (10  
June 2022)

**Halogen-Free**

**Status**

**Low-Halogen**

For more information, please visit [Contact US](#)

China ROHS

ELV

RoHS Phthalates

**China RoHS**

Green Image

Not Relevant

Not Contained

**Search Parts in this Series**

[74540 Series](#)

**Mates With**

[74546 iPass Cable Assembly](#)