



# Series X518 Single and Dual Row Collet Sockets with Solder Tail Pins

## FEATURES:

- Aries collet sockets are available in single or dual rows.
- Cutable to the number of pins desired to fit the application.
- Side-to-side and end-to-end stackable.

## SPECIFICATIONS:

- Body material is black UL 94V-0 Glass-filled 4/6 Nylon.
- Pin body is Brass Alloy 360 1/2 hard per UNS C36000 ASTM-B16-00.
- Pin body plating is either 10µ [2.5µm] min. Gold per MIL-G-45204 or 200µ [5.08µm] min. 93/7 Tin/Lead per ASTM B545 or 200µ [5.08µm] min. Tin per ASTM B545 Type 1 over 100µ [2.54µm] min. Nickel per SAE-AMS-QQ-N-290.
- 4-fingered collet contact is Beryllium Copper Alloy per UNS C17200 ASTM-B194-01.
- Contact plating is either 200µ [5.08µm] min. 93/7 Tin/Lead per ASTM B545 or 200µ [5.08µm] min Tin per ASTM B545 Type 1 or 10µ [2.5µm] Gold per MIL-G-45204 over 50µ min. [1.27µm] Nickel per SAE-AMS-QQ-N-290. Heavy 30µ [7.6µm] Gold Plating also available.
- Contact current rating=3 Amps.
- Insertion Force=180 grams/pin; Withdrawal Force=90 grams/pin; Normal Force=140 grams/pin; based on a .018 [46] dia. test lead.
- Operating temperature=221°F [105°C] Tin & Tin/Lead plating =257°F [125°C] Gold plating.
- Insertion Force=180 grams/pin; Withdrawal Force=90 grams/pin; Normal Force=140 grams/pin; based on a .018 [46] dia. test lead.
- Accepts leads .015-.025 [38-.64] in diameter.
- Accepts lead lengths from .100 [2.54] min.

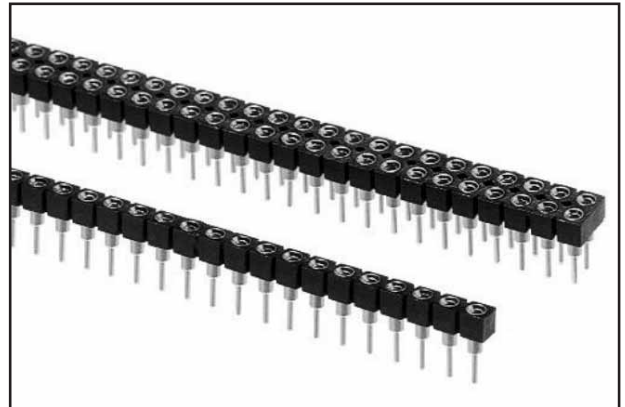
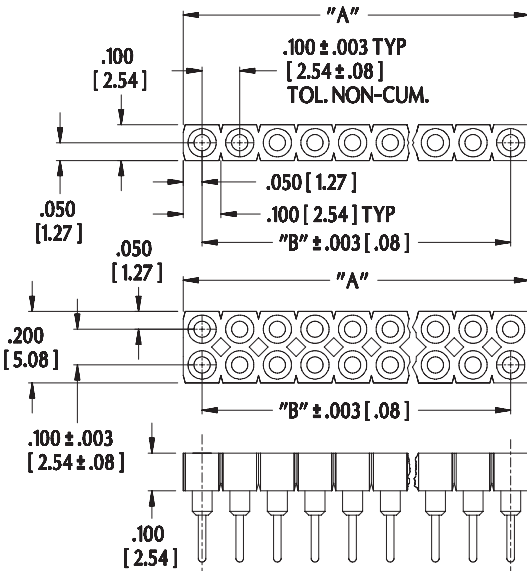
## MOUNTING CONSIDERATIONS:

- Suggested PCB hole size=.030 ± .002 [76 ± .05] dia.

## ALL DIMENSIONS: INCHES [MILLIMETERS]

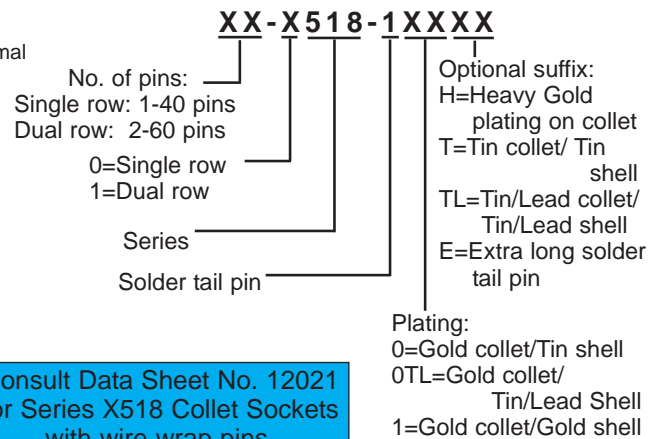
All tolerances ± .005 [1.3] unless otherwise specified

"A"=(NO. OF PINS PER ROW) X .100 [2.54]  
 "B"=(NO. OF PINS PER ROW - 1) X .100 [2.54]

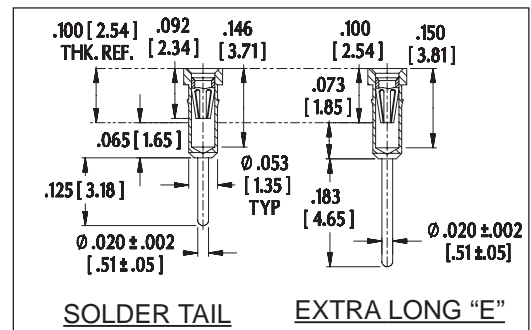


*Note: Aries specializes in custom design and production. In addition to the standard products shown on this page, special materials, platings, sizes, and configurations can be furnished, depending on quantities. Aries reserves the right to change product specifications without notice.*

## ORDERING INFORMATION



Consult Data Sheet No. 12021 for Series X518 Collet Sockets with wire wrap pins.



**NORTH AMERICA**  
 Frenchtown, NJ USA  
 TEL: (908) 996-6841  
 FAX: (908) 996-3891



**EUROPE**  
 TEL: +44 870 240 0249  
 FAX: +44 871 919 6033  
 europe@arieselec.com



12020  
 REV.E