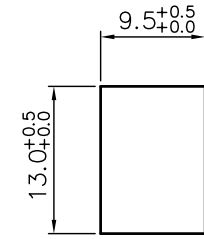
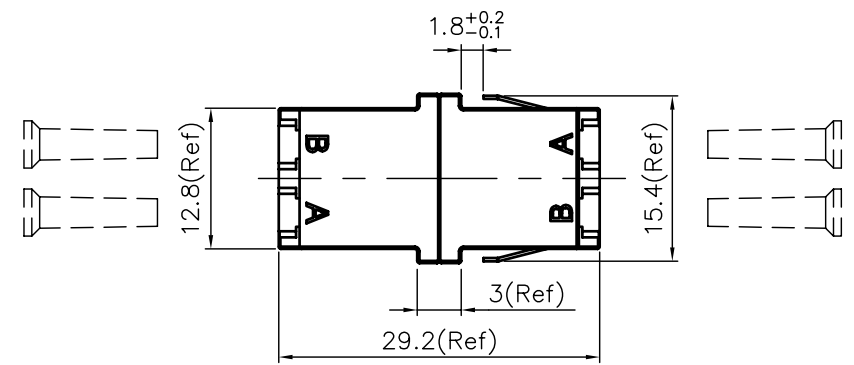
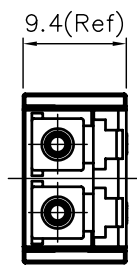
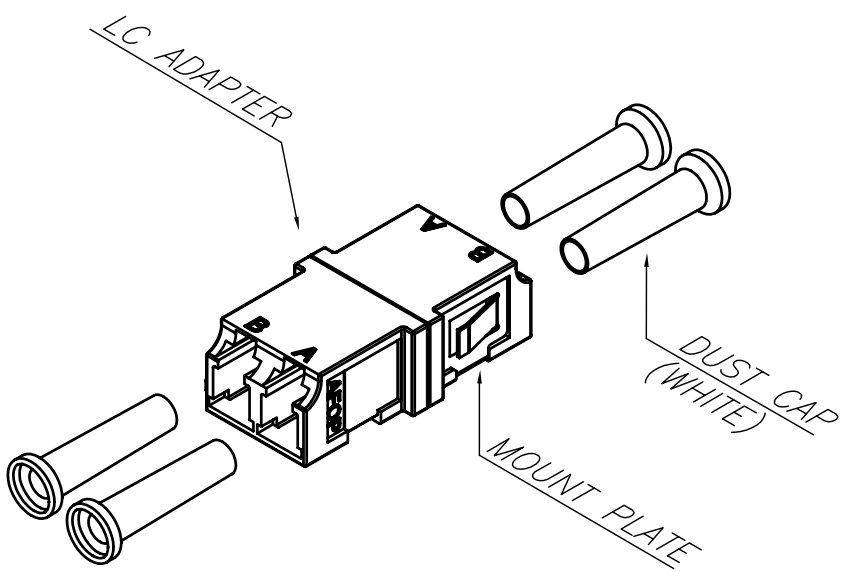


REVISION			
REV.	DESCRIPTION	DATE	APPROVED
D	ADD AQUA COLOR	03/21/08'	



RECOMMENDED MOUNTING HOLE
(PANEL THICKNESS IS 1.7mm MAX.)

NOTE:

1. MATERIAL:
 - a. ALIGNMENT SLEEVE: ZIRCONIA.
 - b. MOUNT PLATE: STAINLESS STEEL.
 - c. OTHER PARTS: ENGINEERING PLASTIC.



740-008A-006	AQUA
740-0088-006	WHITE
740-0087-006	BEIGE
740-0086-006	ORANGE
740-0085-006	BLUE
740-0084-006	RED
740-0083-006	GREEN
740-0082-006	YELLOW
740-0081-006	BLACK
P/N	COLOR

PROPRIETARY	
The contents of this document are PROPRIETARY to Alliance Fiber Optic Products, Inc. and are not to be disclosed to others or used for purposes intended without the prior written approval from Alliance Fiber Optic Products, Inc.	
<input checked="" type="checkbox"/> METRIC	<input type="checkbox"/> ISO
<input type="checkbox"/> INCH	<input type="checkbox"/> ANSI
METRIC	

DO NOT SCALE DRAWING

TOLERANCE UNLESS OTHERWISE SPECIFIED

METRIC ± 0.15 ± 0.08 ± 0.050 ANGLE 1.5°
 INCH $+0.008$ $+0.004$ $+0.002$ $+1/2^\circ$

APPLY TO LESS MATERIAL SIDES

Q.C.	
MFG.	
APPROVAL:	
CHECK:	
DESIGN:	Michelle Chen 11/02/04'
DRAW BY:	Cola Hung 03/21/08'

AFOF Alliance Fiber Optic Products, Inc.		TITLE:	DRAWING No:	REV.
		LC DUPLEX ADAPTER CUSTOMER DRAWING	740-0080-006	D
SIZE: A3	SCALE: N/A	PROJ. No: N/A	REF. No: C-08-079	
SHEET: 1 OF 1		CAD FILE: 740C0080D006		