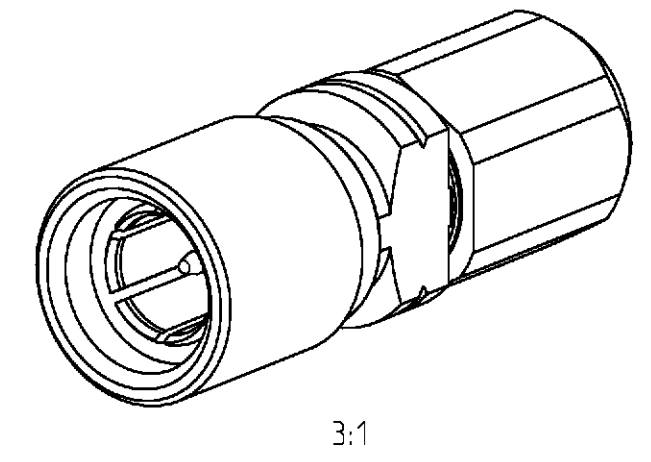
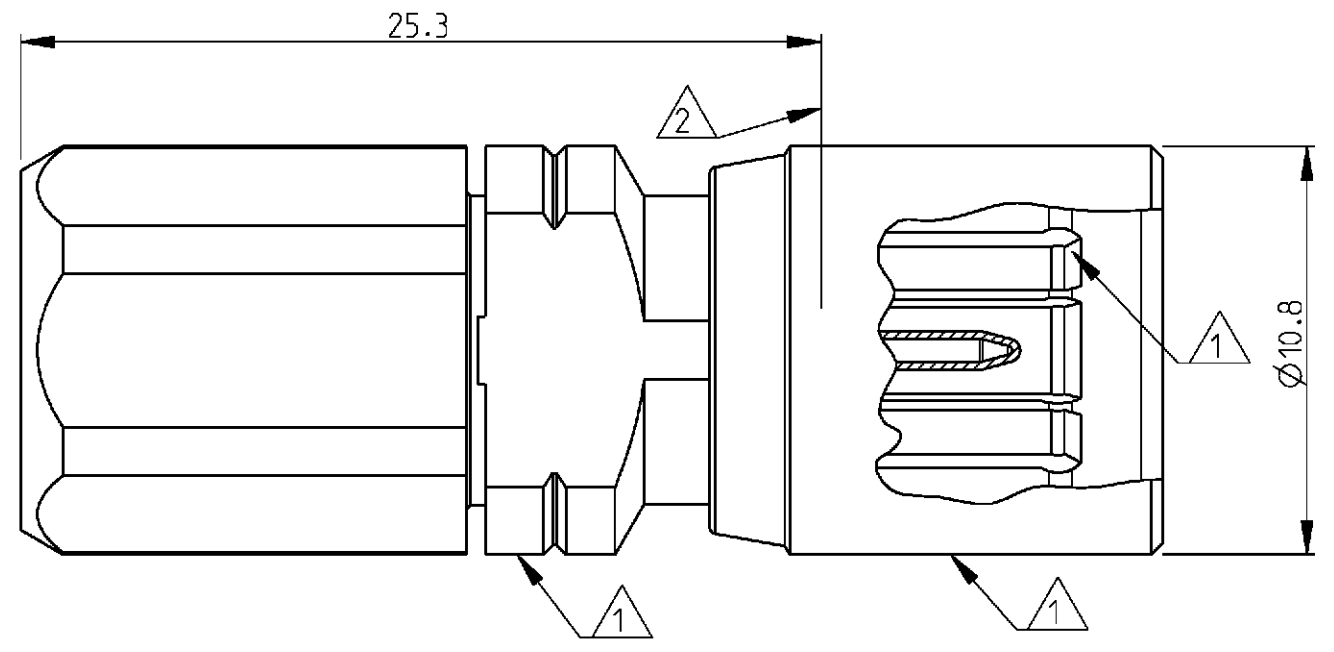


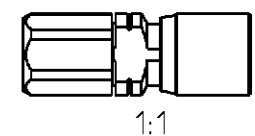
THIS DRAWING IS UNPUBLISHED. RELEASED FOR PUBLICATION 2000  
 © COPYRIGHT 2000 BY TYCO ELECTRONICS CORPORATION. ALL RIGHTS RESERVED.

LOC	DIST	REVISIONS				
P	LTR	DESCRIPTION	DATE	DWN	APVD	
GW	-	A	-	05APR2001	BL	KM



- 4) All parts are supplied as loose part unless otherwise specified.
- 3) All dimensions are maximum unless otherwise specified
- 2) Mating face according to DIN 47295 / CECC 22240.
- 1) Parts are pre-assembled.

Old part number	Tyco part number	Description	Material	Plating	Cable type
V23612-A103-A66	1-1393682-3	Outer conductor	CuBe	1 µm Au min in contact area	02YC (mS) CY0.5/3.0 2 YCY 0.7/4.4 RG 59 B/U ST 120
		Center conductor	CuSn6/CuBe	1 µm Au min in contact area	
		Dielectric	PEEK	-	
V23612-A103-A45	1-1393682-2	Outer conductor	CuBe	1 µm Au min in contact area	2YCCY 0.4/2.5 2YC (mS) CY 0.4/2.5
		Center conductor	CuSn6/CuBe	1 µm Au min in contact area	
		Dielectric	PEEK	-	
V23612-A103-A42	1-1393682-1	Outer conductor	CuBe	1 µm Au min in contact area	2YCY 0.4/2.5
		Center conductor	CuSn6/CuBe	1 µm Au min in contact area	
		Dielectric	PEEK	-	



<small>THIS DRAWING IS A CONTROLLED DOCUMENT FOR TYCO ELECTRONICS CORPORATION. IT IS SUBJECT TO CHANGE AND THE CONTROLLING ENGINEERING ORGANIZATION SHOULD BE CONTACTED FOR THE LATEST REVISION.</small>		DWN 22MAR2001 B. Lenvain		Tyco Electronics Oostkamp - Belgium	
DIMENSIONS: mm		TOLERANCES UNLESS OTHERWISE SPECIFIED:		NAME Cable plug 1.6/5.6 75 ohm	
		0 PLC ± 1 PLC ± 2 PLC ± 3 PLC ± 4 PLC ± ANGLES ±		PRODUCT SPEC - APPLICATION SPEC 114-71017	
MATERIAL -		FINISH -		WEIGHT - SIZE A3 CAGE CODE 00779 DRAWING NO ©-1-1393682-1 RESTRICTED TO -	
CUSTOMER DRAWING				SCALE 5/1 SHEET 1 OF 1 REV A	