

# WESTCODE SEMICONDUCTORS

ADVANCE PUBLICATION  
C/WT 5650-2  
ISSUE 1  
February, 1982


## NPN POWER TRANSISTORS CT/WT 5650/1/2

POWER SWITCH

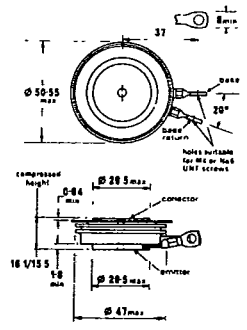
1 KILOVOLT  
150 AMPERES

Fast Switching  
Low Saturation Voltages  
Sustaining Voltages to 800V

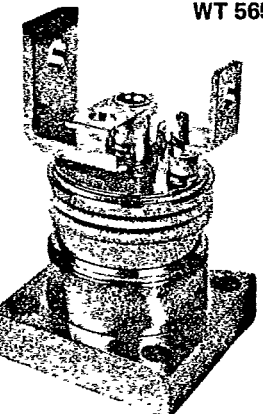
Ratings		
$V_{CEV}$		1KV
$V_{CER(SUS)}$	CT/WT 5650	700V
	5651	750V
	5652	800V
$V_{EBO}$		7V
$I_{C(CONT)}$		150A
$I_{B(CONT)}$	CT	50A
	WT	100A
$P_{tot, 25^{\circ}C T_C}$	CT	2.00KW
	WT	1.25KW
$T_j$		150°C



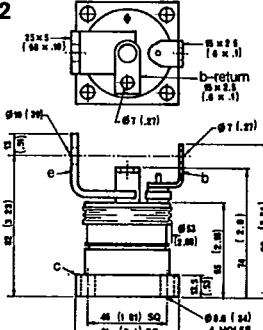
**CT 5650'2**



Mounting force: 727 - 1087Kg  
Weight: 120 grams



**WT 5650'2**



Mounting force: 1.7 - 2.1Kg  
Weight: 900 grams

Characteristics at $T_j 125^{\circ}C$		CT/WT 5650	CT/WT 5651	CT/WT 5652
$I_{CEV}$	at $V_{CEV}, V_{EB} 1V$	10mA		
$I_{EBO}$	at $V_{EBO}$	100mA		
$V_{CER}$	at 0.5A, $R_{BE} 10\Omega$	700V	750V	800V
$h_{FE}$	at $V_{CE} 2V$	12	11	10
		6	5.5	5
$V_{CE(SAT)}$	at $I_B = \frac{I_C}{h_{FE}} \times 1.5,$	0.7V		
		1.0V		
$V_{BE(SAT)}$	at $I_B = \frac{I_C}{h_{FE}} \times 1.5,$	1.0V		
		1.25V		
$t_{f(1)}$	at $I_B \pm = \frac{I_C}{h_{FE}} \times 1.5,$	1.5μs		
$R_{TH(j-hs)}$	CT (double side cooled) WT	0.063°C/W 0.120°C/W		