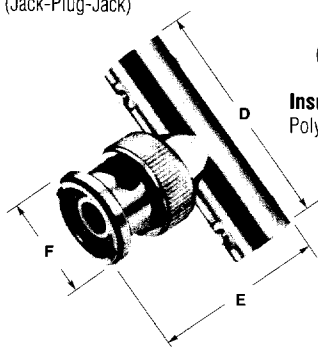


BNC Connectors, 50 Ohm (Continued)

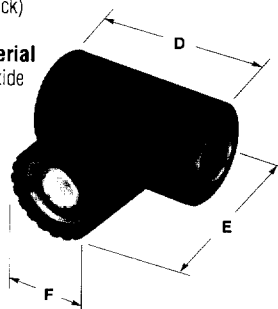
Tee Adapters

Style A
(Jack-Plug-Jack)

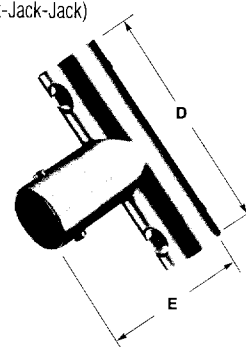


Style B
With Insulated
Cover
(Jack-Plug-Jack)

Insulation Material
Polyphenylene oxide



Style C
(Jack-Jack-Jack)



Style	Body Material and Plating	Center Contact Material and Plating	Dielectric	Dimensions			Comparable UG/U Connector	Packaging No. Per Pkg.	Part No.	
				D	E	F				
A	Brass, Nickel	BE CU, Gold (30) ³	TEFLON	32.54 1.281	26.19 1.031	14.27 .562	274A	Bulk (100)	221543-2	
		BE CU, Silver (200) ³	TEFLON	32.54 1.281	26.19 1.031	14.27 .562	274B	Individual (1)	329518	
		PH BR, Gold (15) ³	Polymethyl-pentene	33.02 1.300	27.31 1.075	14.50 .571	—	Bulk (100)	413592-2	
			PH BR, Silver (200) ³	Polymethyl-pentene	33.02 1.300	27.31 1.075	14.50 .571	—	Bulk (100)	413592-4
		Zinc, Nickel	BE CU, Gold (30) ³	Polymethyl-pentene	33.02 1.300	27.31 1.075	14.50 .571	—	Bulk (100)	413592-6
			BE CU, Silver (200) ³	Polymethyl-pentene	33.02 1.300	27.31 1.075	14.50 .571	—	Bulk (100)	413592-8
			PH BR, Gold (15) ³	Polymethyl-pentene	33.02 1.300	27.31 1.075	14.50 .571	—	Individual (1) ⁴	413592-9
			PH BR, Silver (200) ³	Polymethyl-pentene	33.02 1.300	27.31 1.075	14.50 .571	—	Individual (1) ⁴	1-413592-0
			BE CU, Silver (200) ³	Polymethyl-pentene	33.02 1.300	27.31 1.075	14.50 .571	—	Individual (1)	1-413592-1
B	Zinc, Nickel	BE CU, Gold (30) ³	Polymethyl-pentene	32.54 1.281	31.12 1.225	17.15 .675	—	Bulk (100)	413366-1 ¹ 413366-2 ²	
C	Brass, Nickel	BE CU, Silver (200) ³	TEFLON	32.54 1.281	23.37 .920	—	—	Bulk (100)	221988-1	
	Zinc, Nickel	PH BR, Gold (50) ³	Polymethyl-pentene	32.54 1.281	23.62 .930	—	—	Bulk (100)	414311-1	

¹Black insulation cover
²Gray insulation cover
³(Microinches min thickness)
⁴(Special graphics)

Tee Adapter Covers

Material — Polypropylene, general purpose

Color	Part No.
Black	221586-1
Ivory	221586-3

