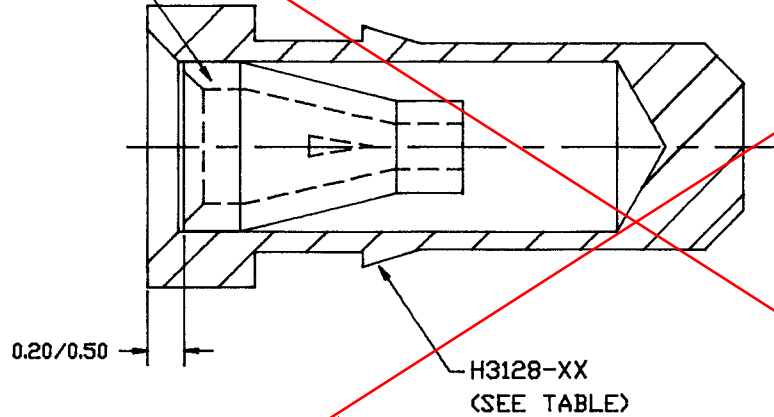


OBSOLETE

Y3199-XX
 (SEE TABLE)



0.20/0.50

H3128-XX
 (SEE TABLE)

6 11.5.92 1997
 REDRAWN ON CAD

ISS.	DATE	CHANGE
APPD.	<i>A.R. McClellan</i>	
CHKD	<i>[Signature]</i>	
DRAWN	I.C.S	
CUSTOMER REF.		

H3135-T6	H3128-06 (TIN)	Y3199-01 (TIN)
H3135-05	H3128-05 (GOLD)	Y3199-05 (GOLD)
H3135-01	H3128-06 (TIN)	Y3199-05 (GOLD)
PART NUMBER	SHELL FINISH	CLIP FINISH

COMPUTER No.

ASSY. DRAWING

DRAWING NUMBER

H3135-XX

HARWIN

FITZHERBERT RD., PORTSMOUTH, U.K. PO6 1RT
 TELEPHONE:-
 0705 370451 (SALES) FAX:- 0705 324010
 0705 388755 (WORKS) TELE:- 86125

MATERIAL:

TITLE:

I.C. SOCKET ASSEMBLY

TOLERANCES:-

X. ± 1mm
 X.X ± 0.25mm
 X.XX ± 0.1mm
 X.XXX ± 0.01mm
 ANGLES ± 1°

FINISH SEE ABOVE.

S/AREA mm²

DIMS IN MM

SCALE : N.T.S.