

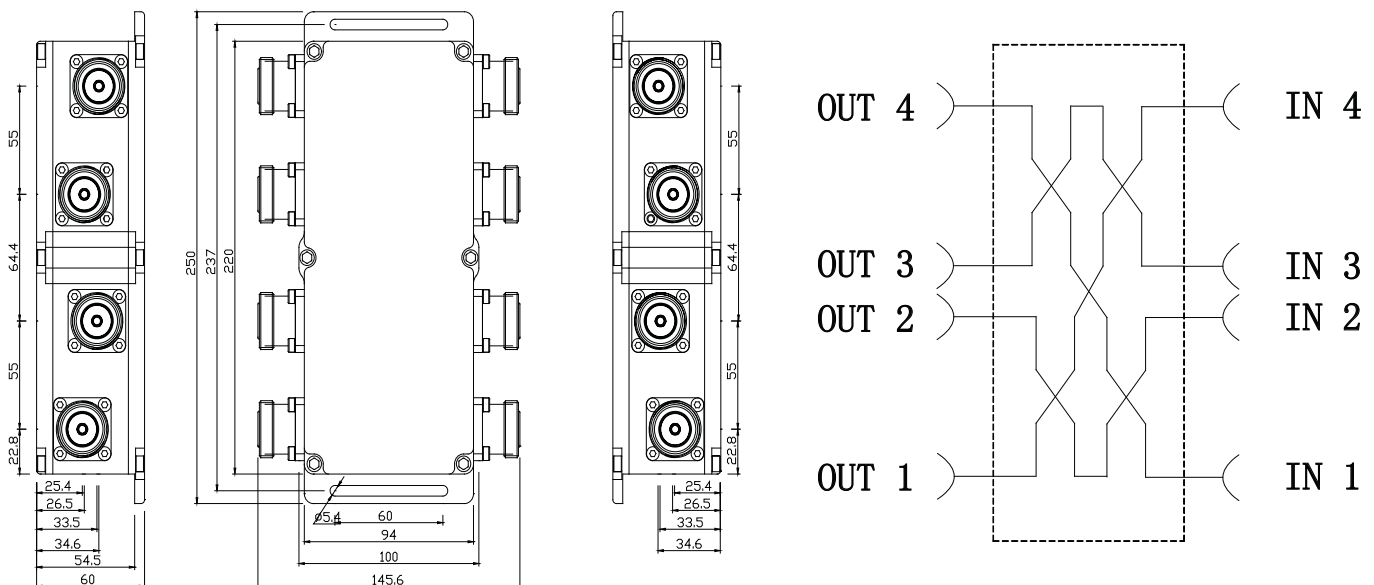
This model was previously released as AHC-07-MN-44-DF-CC.

HC-7MN44-DF-CC

6.9 dB Hybrid Coupler | 698-2700 MHz | 4 in 4 out | 7/16-DIN Female



Electrical Characteristics	
Frequency Range	698-2700 MHz
Insertion Loss	≤ 6.9 dB
Isolation	≥ 23 dB
PIM3 (2x20W)	≤ -150 dBc
VSWR	≤ 1.25
DC-Bypass (Max 6.5A; Conforms to AISG 2.0)	IN1 to OUT1 IN2 to OUT2 IN3 to OUT3 IN4 to OUT4
Power Rating (average)	500 W
Impedance	50Ω
Mechanical Characteristics	
Connectors	7/16-DIN Female
Dimensions (L x W x D; without connectors)	250 x 100 x 60 mm
Weight	2.2 kg
Environmental Characteristics	
Operating Temperature	-25° C to +65° C
Humidity	5-95%
Environmental	IP66



Quoted performance parameters are provided to offer typical, peak or range values only and may vary as a result of normal testing, manufacturing and operational conditions. Extreme operational conditions and/or stress on structural supports is beyond our control. Such conditions may result in damage to this product. Improvements to products may be made without notice.