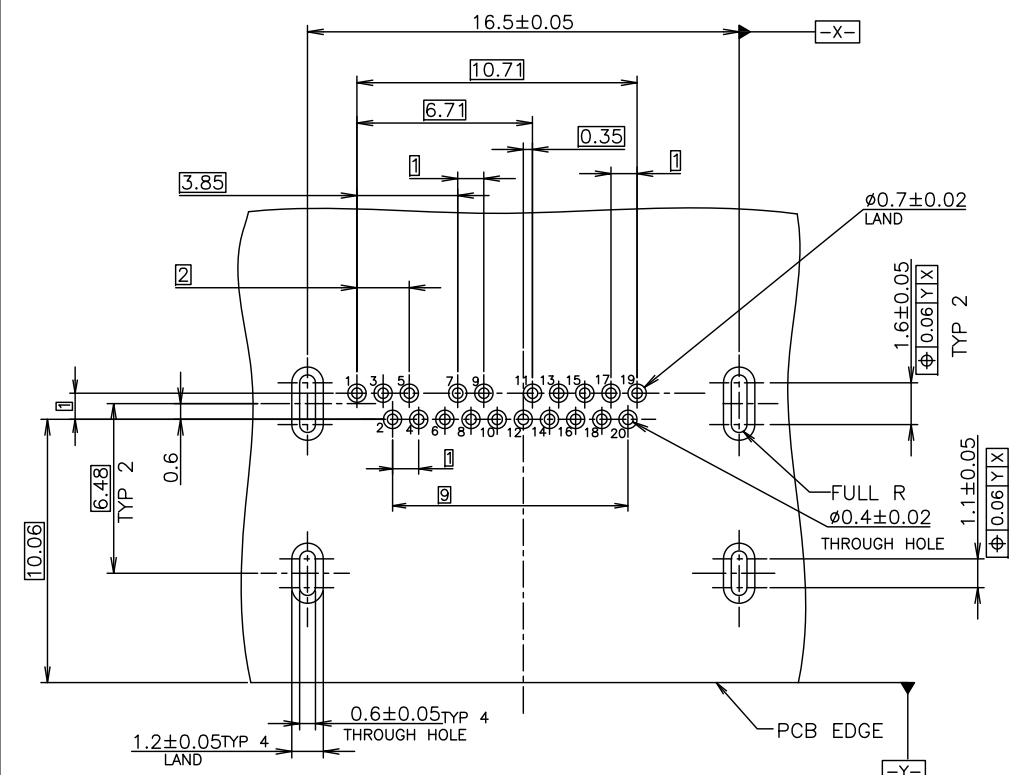
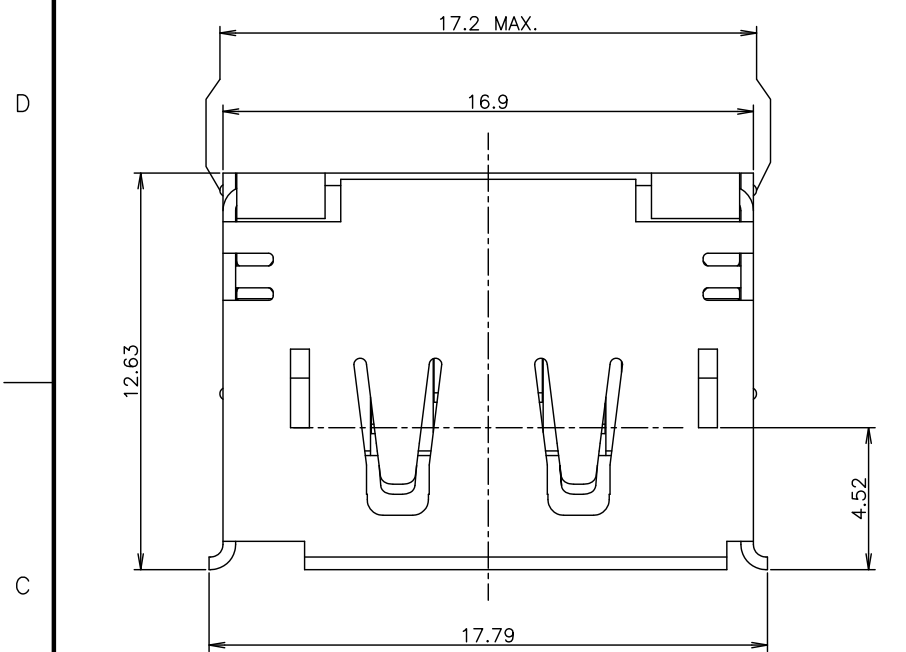
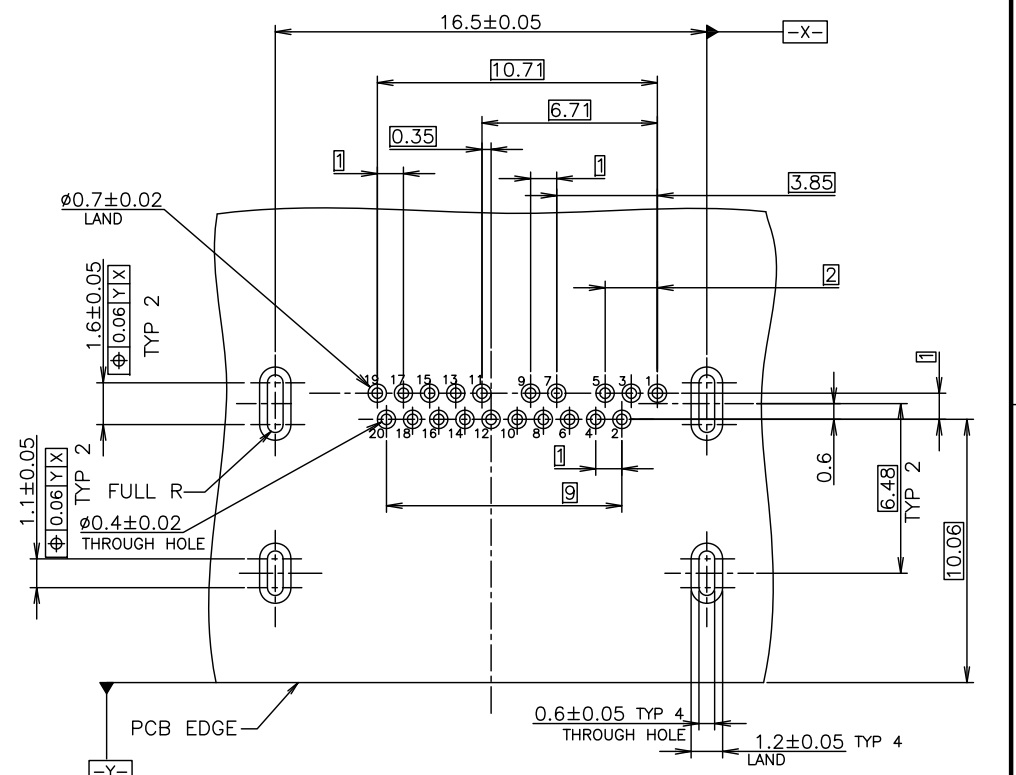


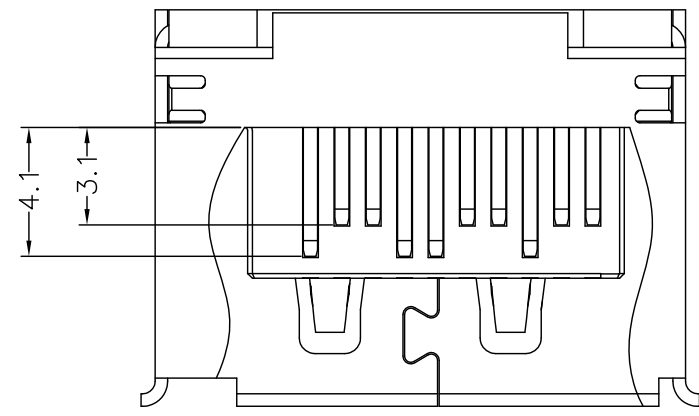
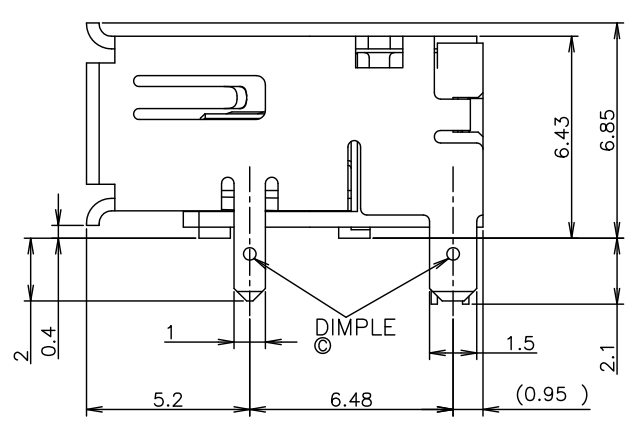
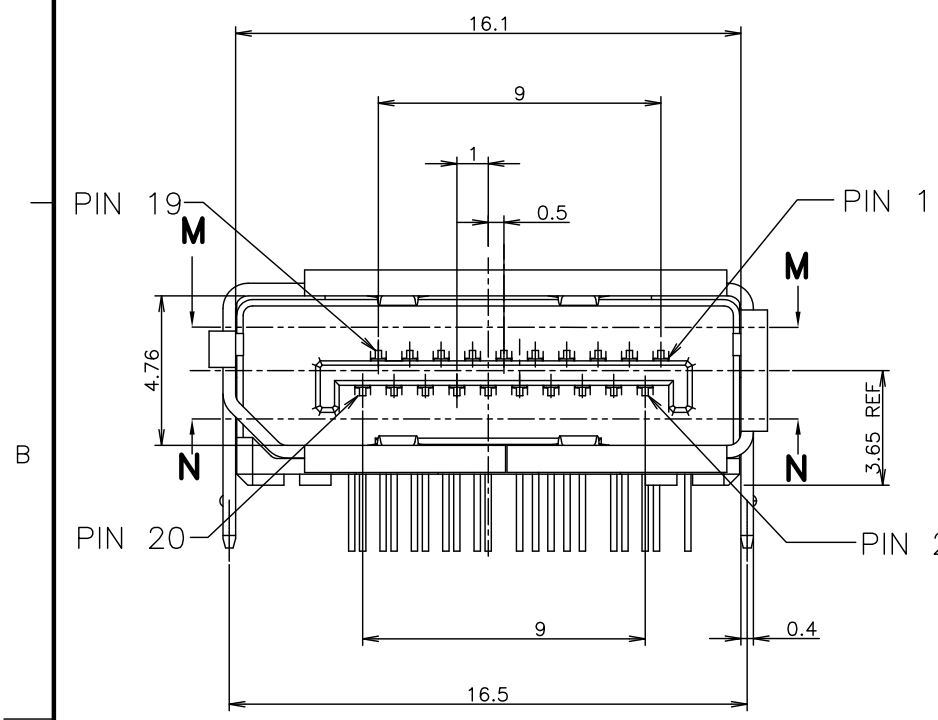
REVISES		DATE	DWN	APVD
P	LTR	DESCRIPTION		
C		REVISED (ECR-11-011412)	10AUG2011	V.P.



RECOMMENDED PCB LAYOUT (THICKNESS=1.6±0.1)
 BOTTOM VIEW

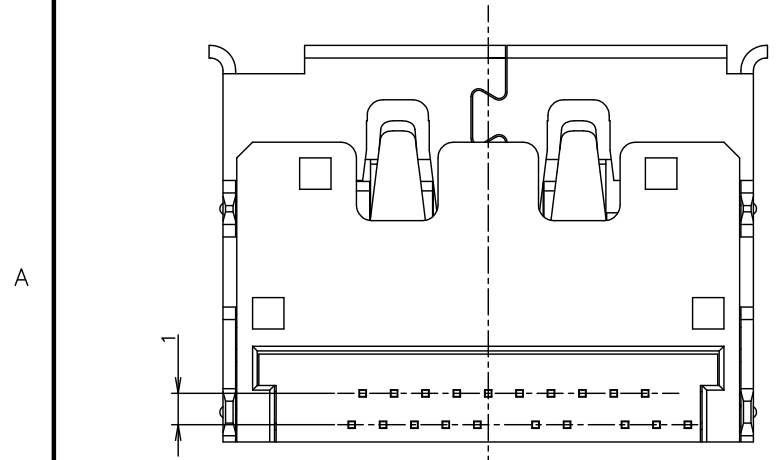


RECOMMENDED PCB LAYOUT (THICKNESS=1.6±0.1)
 TOP VIEW (MOUNTING SIDE)



Ⓜ M-M

Ⓝ N-N



- 1 MATERIAL:
 HOUSING: HIGH TEMPERATURE THERMAL PLASTIC, BLACK, UL94V-0.
 CONTACT: COPPER ALLOY.
 SHELL: COPPER ALLOY.
 FINISH:
 CONTACT:
 CONTACT AREA: GOLD PLATING (SEE TABLE)
 SOLDER TAIL AREA: 2.54 MINIMUM MICRON TIN PLATING.
 UNDER PLATING: 1.27 MINIMUM MICRON NICKEL PLATING OVERALL.
 SHELL: NICKEL PLATING OVERALL.
- ③. LOW HALOGEN SPECIFICATION
 CHLORINE(Cl) : 900 ppm MAX.
 BROMINE(Br) : 900 ppm MAX.

P/N: 2040528-1 ; AS SHOWN

THIS DRAWING IS A CONTROLLED DOCUMENT.		DWN	Y.HIRATA	11NOV2008
DIMENSIONS: 単位: 珪 mm		CHK	Y.HIRATA	11NOV2008
TOLERANCES UNLESS OTHERWISE SPECIFIED: 一般公差		APVD	K.IKEGAMI	17NOV2008
0 PLC ± 0.3		PRODUCT SPEC	108-78515	
1 PLC ± 0.3		APPLICATION SPEC	取付通用規格	
2 PLC ± 0.3		WEIGHT	A2 00779	
3 PLC ± 0.3		CUSTOMER DRAWING	SCALE 5:1 SHEET 1 of 2 REV C	
4 PLC ± 0.3				
ANGLES ± 2°				
FINISH 位上				

NO	2040528-4	0.76
NO	2040528-3	GOLD FLASH
NO	2040528-2	0.3
YES	2040528-1	0.76
DIMPLE	P/N	△Au (MIN. MICRON)

© 2040528

STE TE Connectivity

RECEPTACLE ASSEMBLY
 DISPLAYPORT RA TH 2ROW TINE

DRAWING NO: 2040528

4

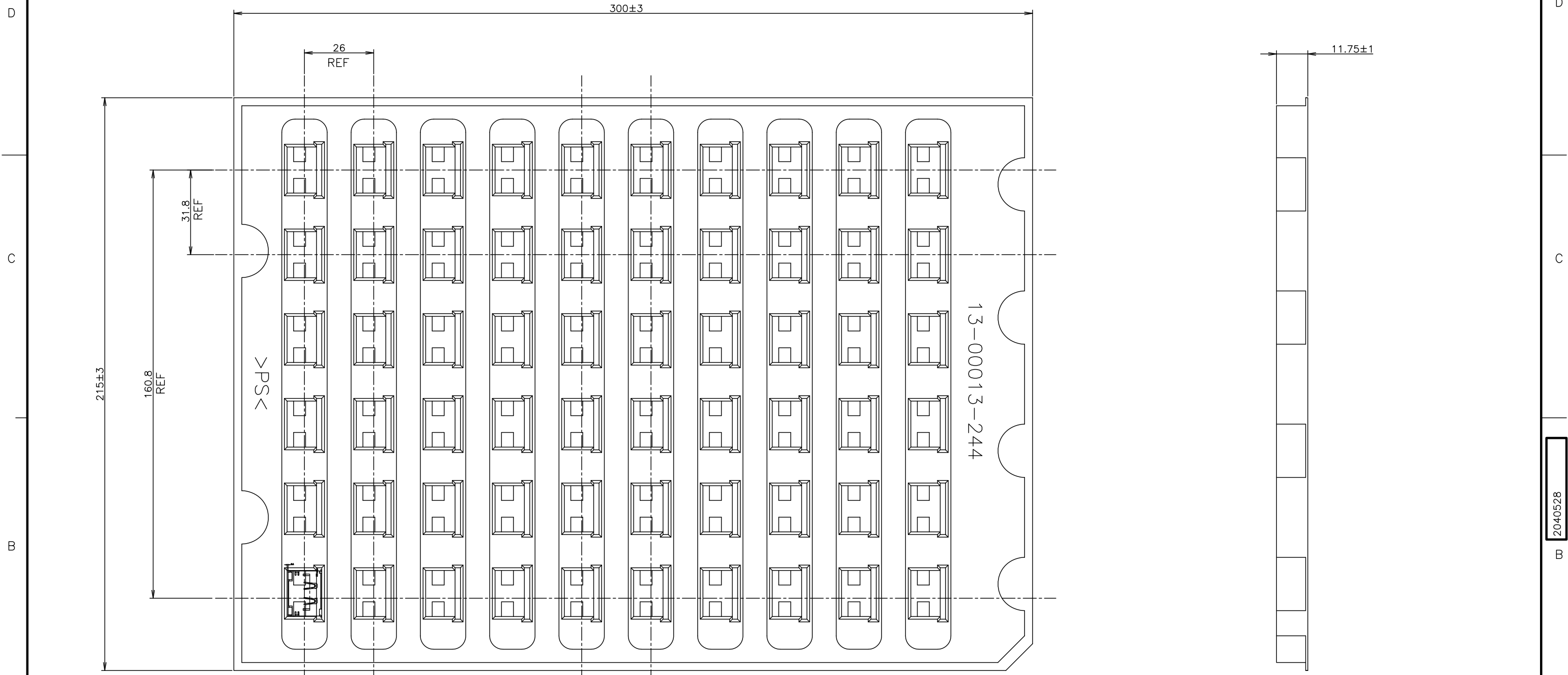
3

2

1

THIS DRAWING IS UNPUBLISHED. RELEASED FOR PUBLICATION
 © COPYRIGHT By - ALL RIGHTS RESERVED.

LOC J	DIST /	REVISIONS 變更			DATE	DWN	APVD
P	LTR	DESCRIPTION					
-	-	SEE SHEET 1		-	-	-	



PACKAGE TRAY

THIS DRAWING IS A CONTROLLED DOCUMENT.		DWN -	STE TE Connectivity	
DIMENSIONS: 單位: 耗 mm		CHK -		
TOLERANCES UNLESS OTHERWISE SPECIFIED: 一般公差		APVD -	NAME 名稱	
0 PLC ± 0.3		PRODUCT SPEC 製品規格		
1 PLC ± 0.3		APPLICATION SPEC 取付適用規格		
2 PLC ± 0.3		SIZE A2	CAGE CODE 00779	DRAWING NO 2040528
3 PLC ± 0.3		RESTRICTED TO		
4 PLC ± 0.3		WEIGHT		
ANGLES ± 0.2		CUSTOMER DRAWING		
FINISH 位上		SCALE 尺碼 NTS	SHEET 2 of 2	REV C

2040528