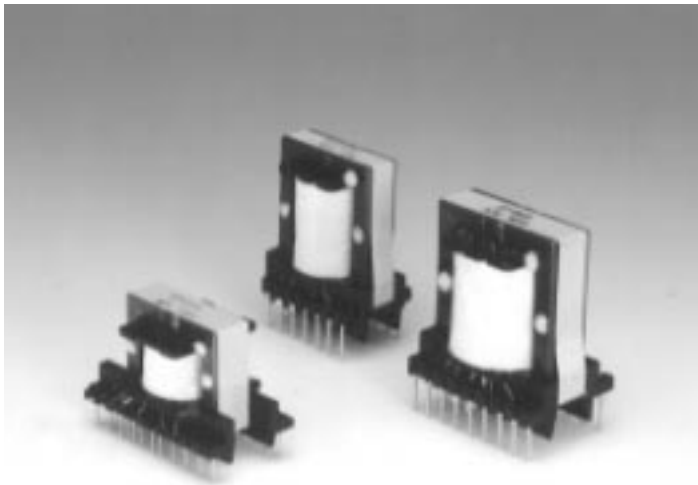


Switching Transformer EER type



◆Performance

Size \ Item	Output (W) F=100KMZ	PINS
DBRS25T4	40	4×4
DBRS28T5	50	5×5
DBRS28S5	50	5×5
DBRL28T5	80	5×5
DBRL28K6	80	6×6
DBRW28S6	80	6×6
DBRL28S8	80	8×8
DBRS35T6	100	6×6
DBRW35S7	100	7×7
DBRF35S12	70	10×12
DBRS40T6	120	6×6
DBRW40S9	120	9×9
DBRS42T7	160	7×7
DBRS42S9	160	9×9
DBRS42S9A	160	9×9
DBRF42T6	200	6×6
DBRW42S9	200	9×9
DBRS49S9	200	9×9

◆Features

Well-Suited with Sanken's IC

Various transformers with various number of pins to be suitable to products with high output

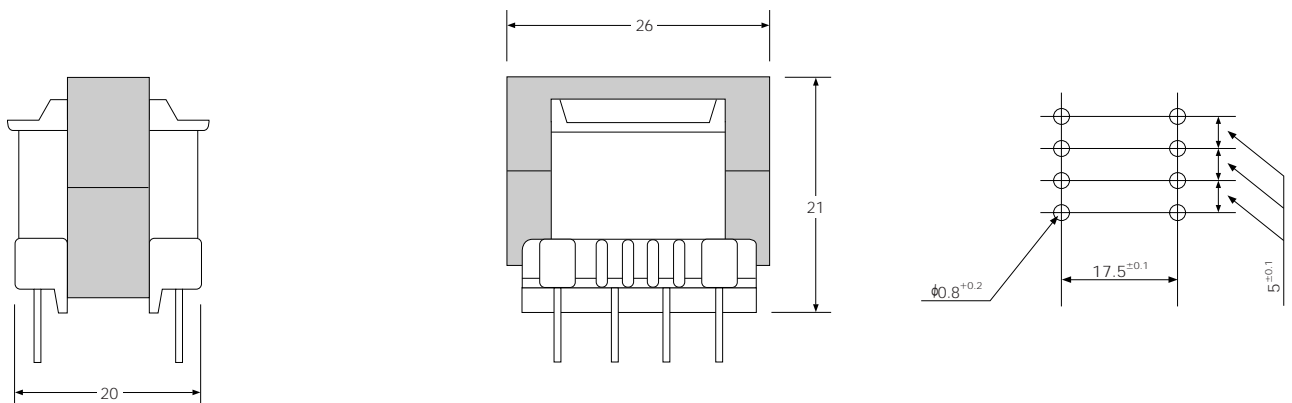
Less leakage flux compared with EE, EI core of the same sized transformer

◆Applications

TV, OA, SMPS

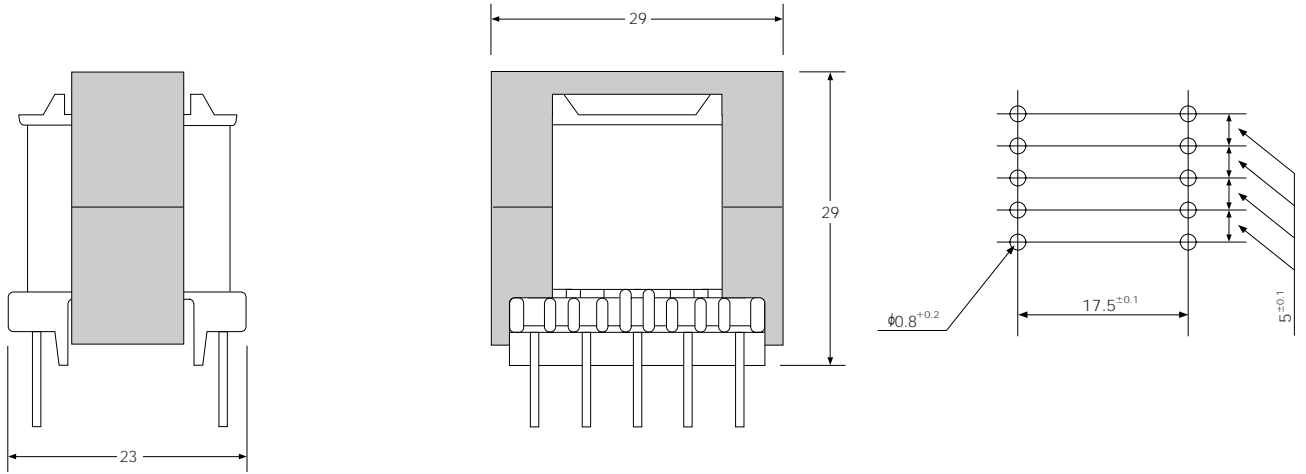
◆Dimensions In mm (not to scale)

DBRS25T4

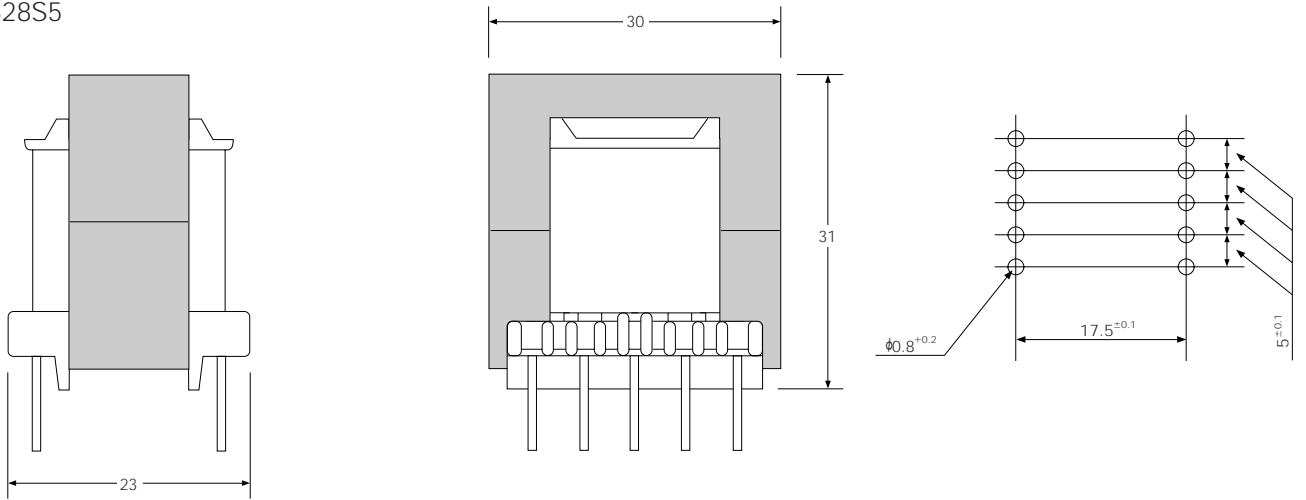


◆ Dimensions In mm (not to scale)

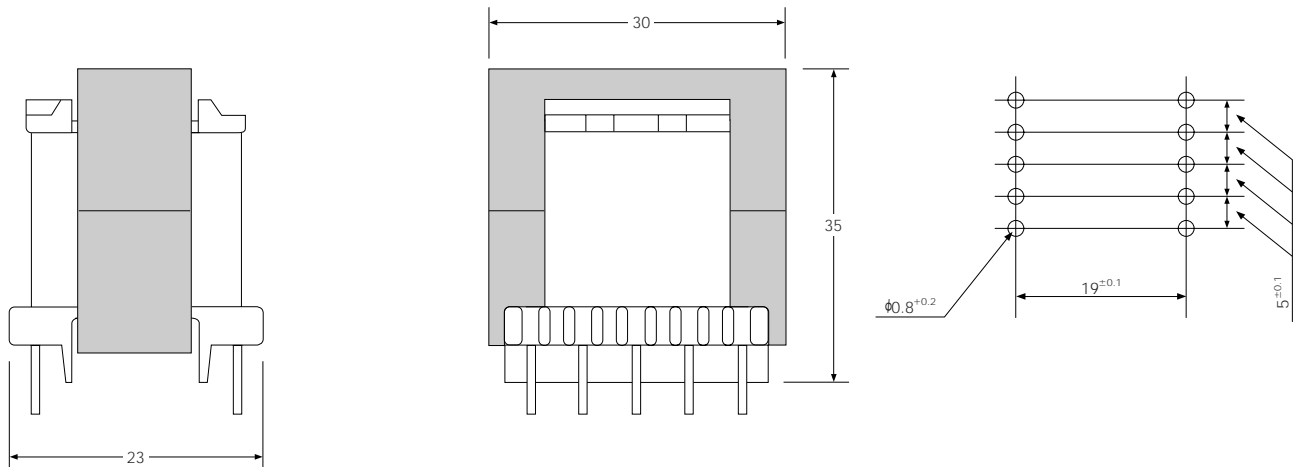
DBRS28T5



DBRS28S5



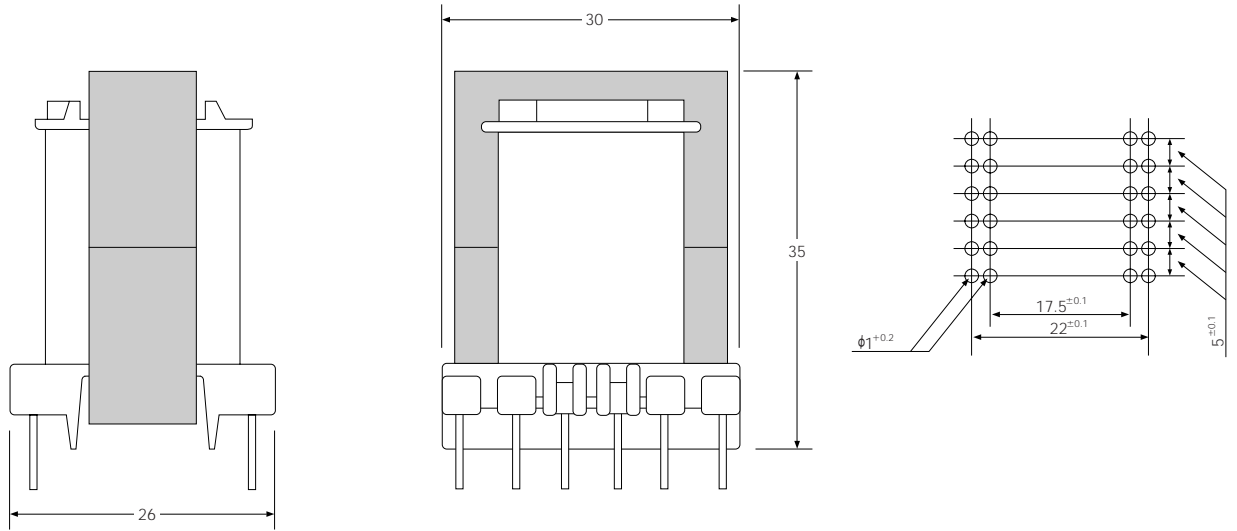
DBRL28T5



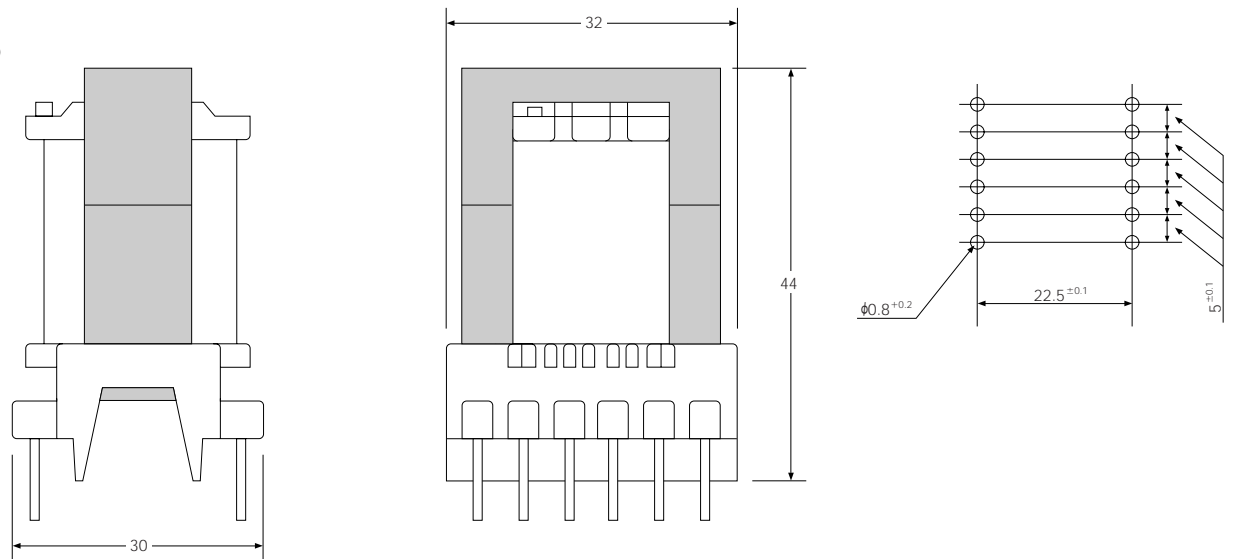
Switching Transformer EER type

◆ Dimensions In mm (not to scale)

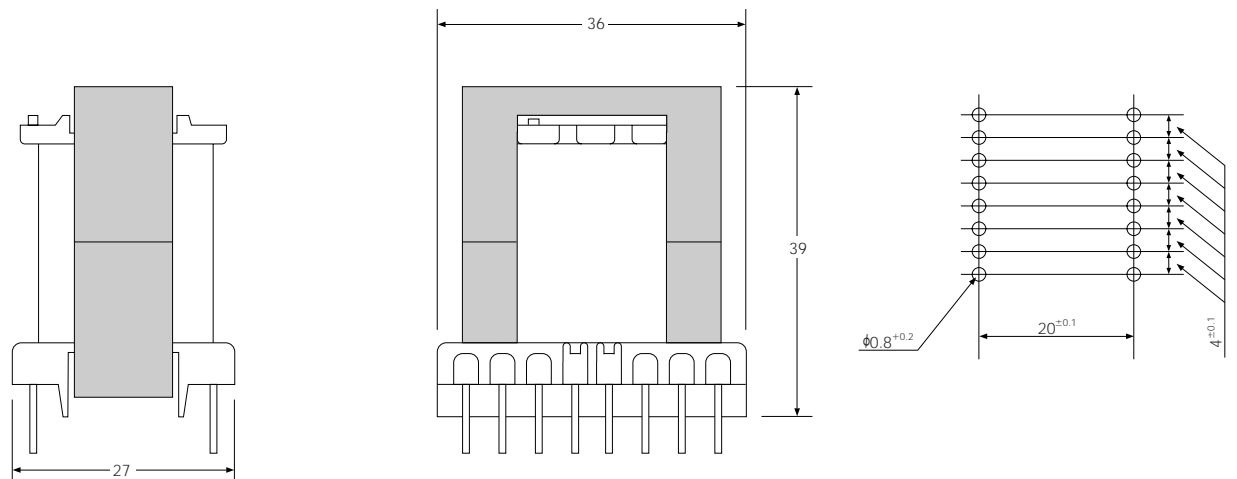
DBRL28k6



DBRW28S6

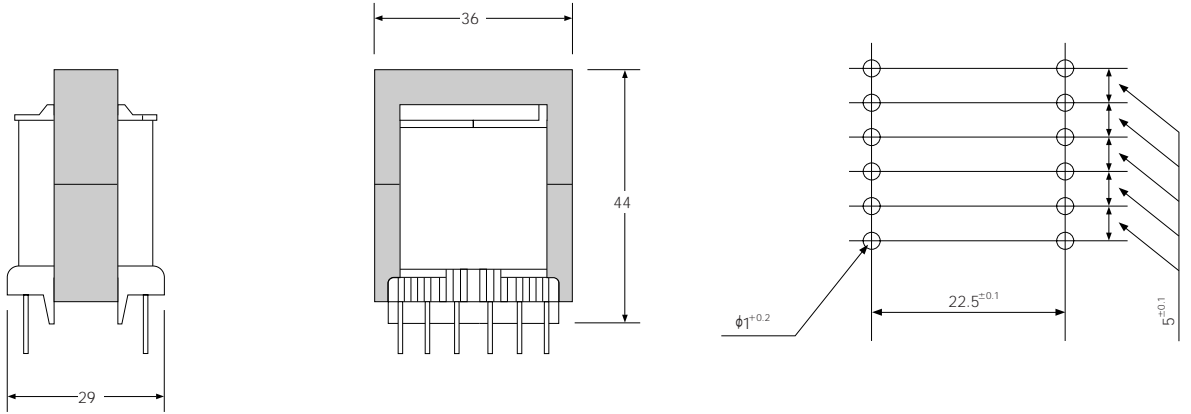


DBRL28S8

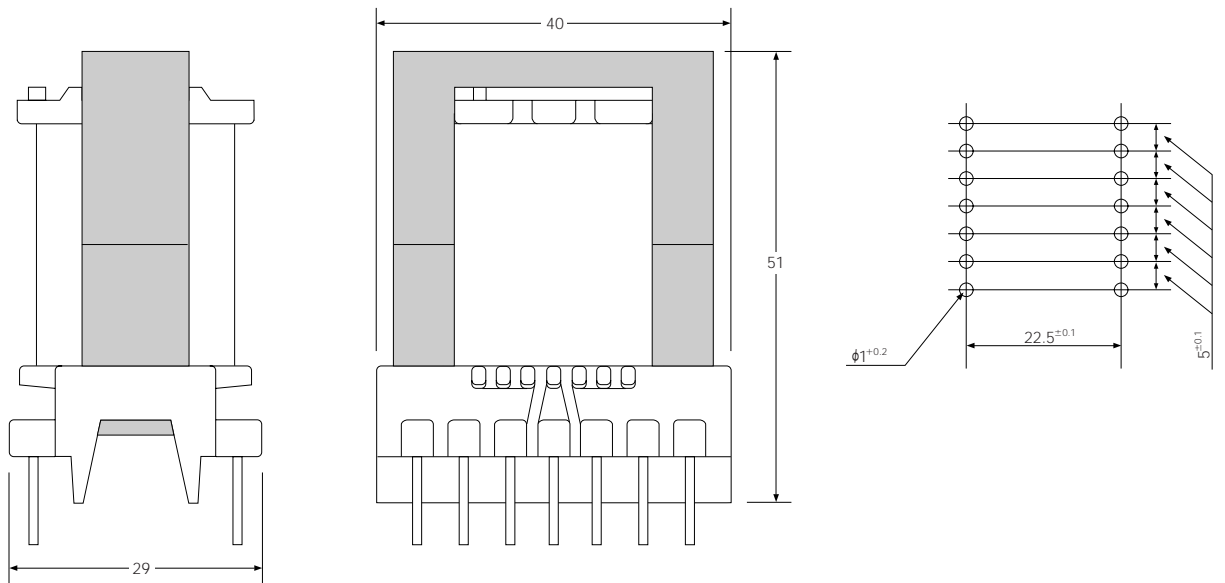


◆ Dimensions In mm (not to scale)

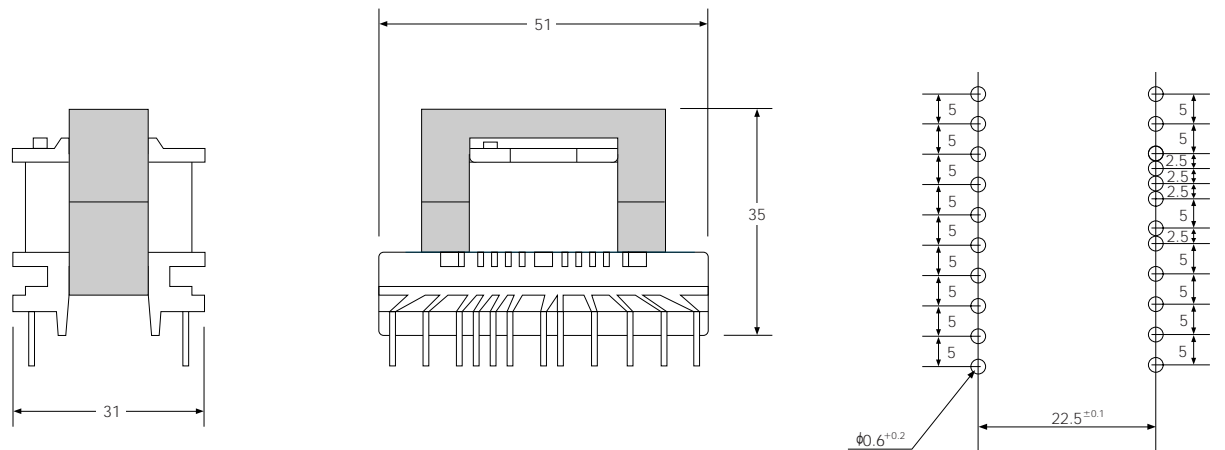
DBRS35T6



DBRW35S7



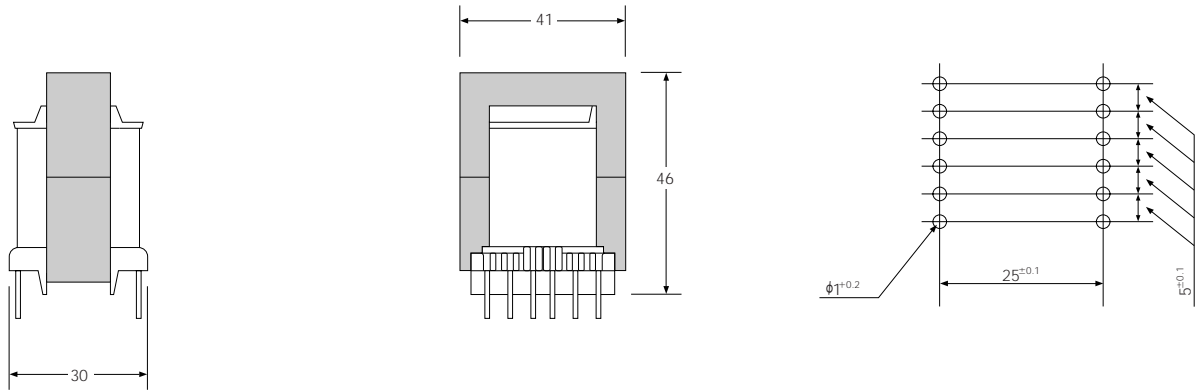
DBRF35S12



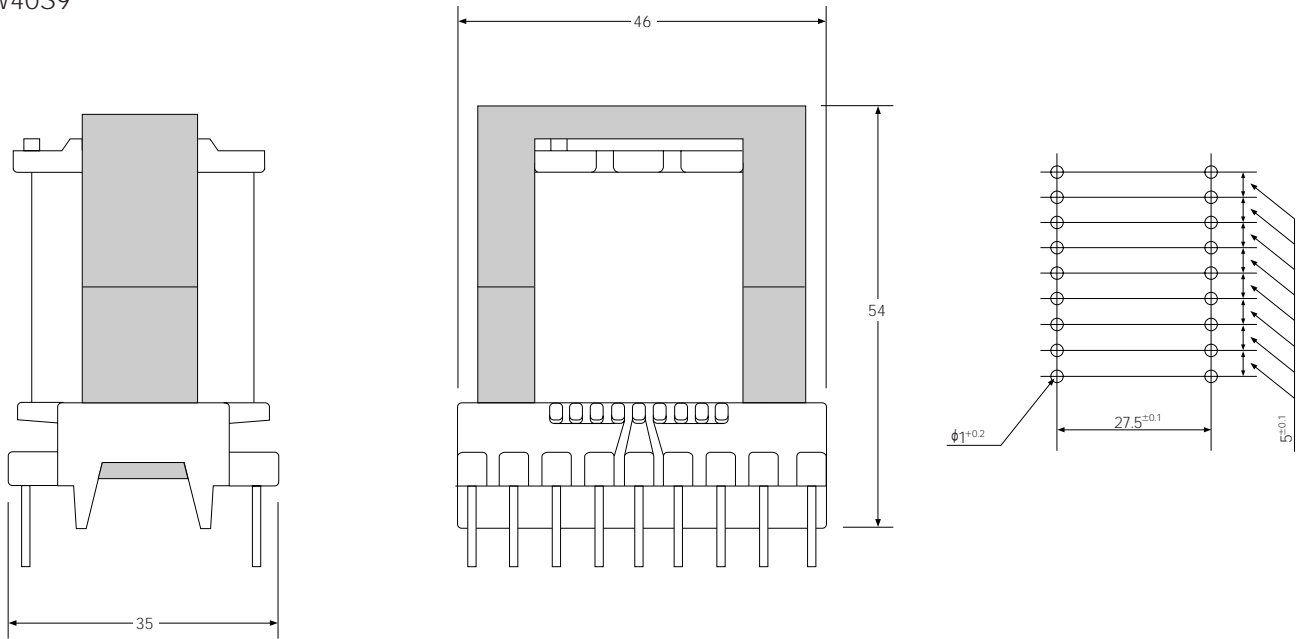
Switching Transformer EER type

◆ Dimensions In mm (not to scale)

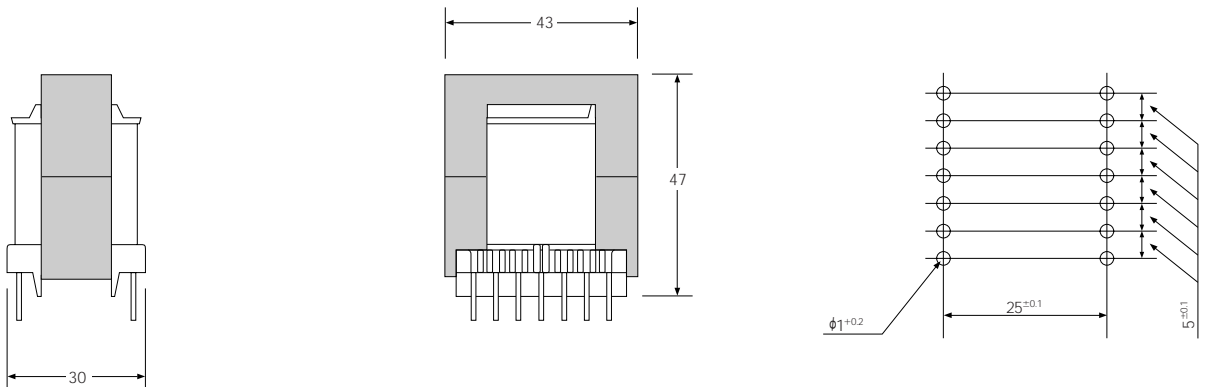
DBRS40T6



DBRW40S9

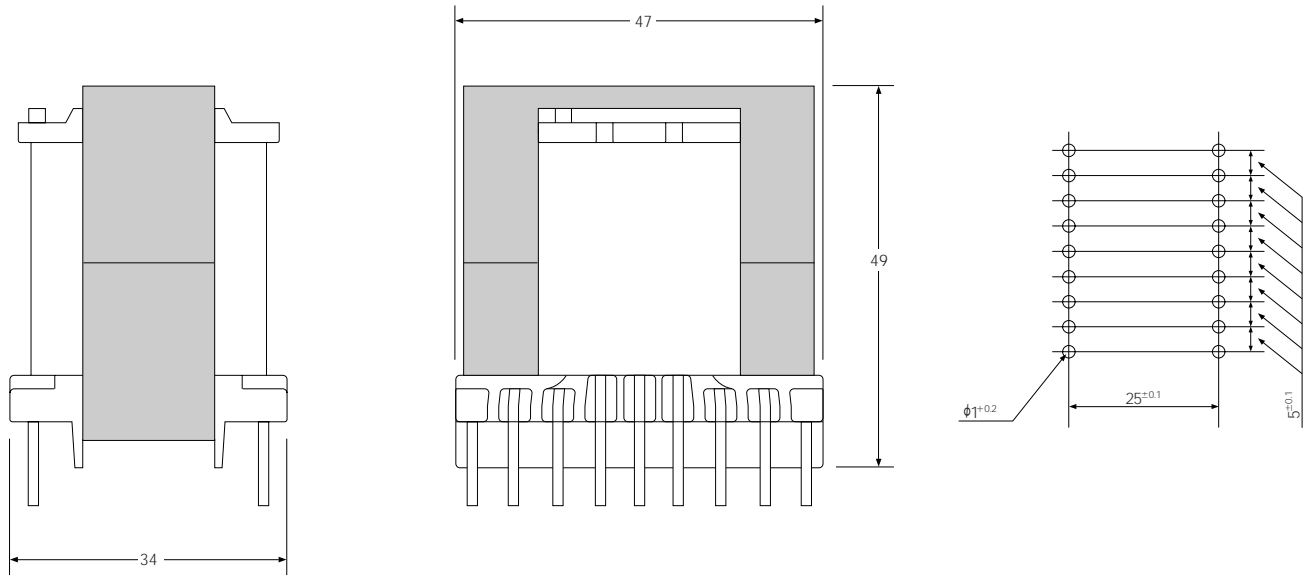


DBRS42T7

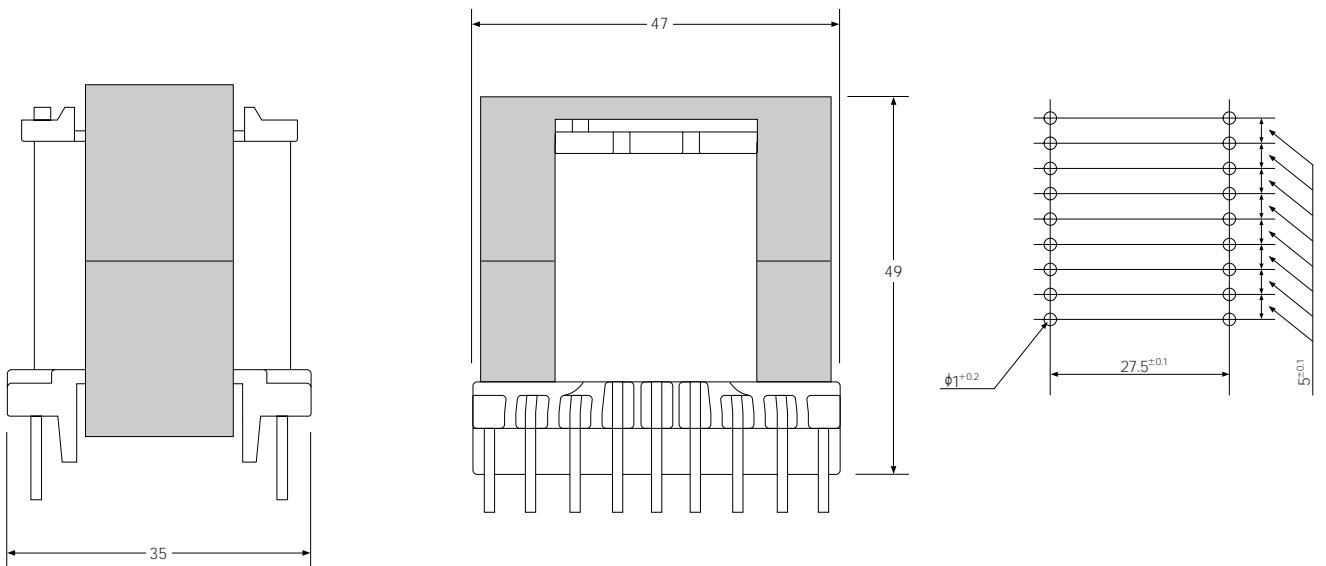


◆ Dimensions In mm (not to scale)

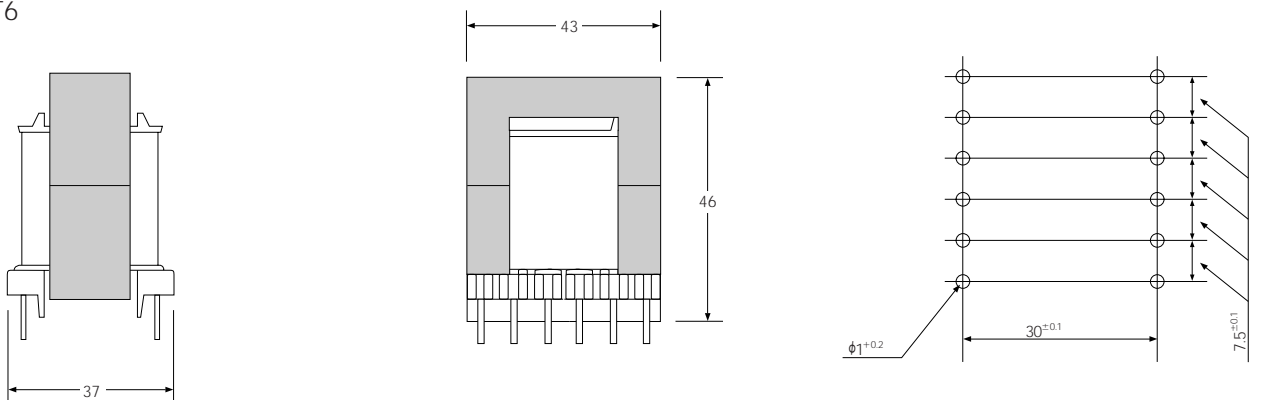
DBRS42S9



DBRS42S9A



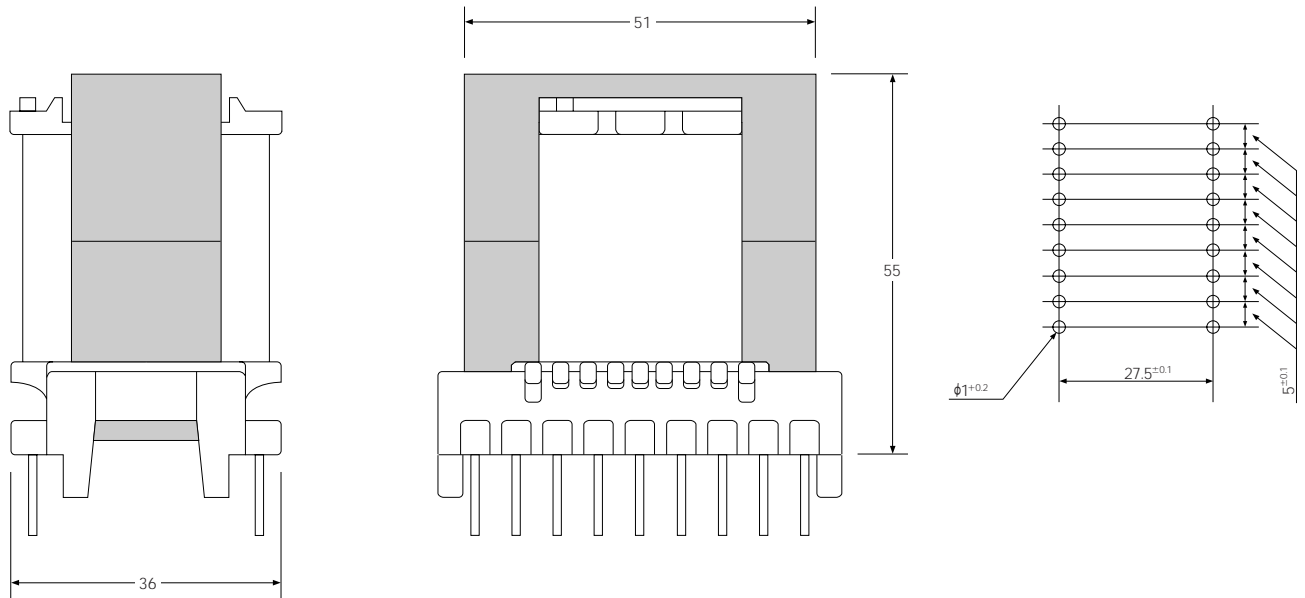
DBRF42T6



Switching Transformer EER type

◆ Dimensions In mm (not to scale)

DBRW42S9



DBRS49S9

