

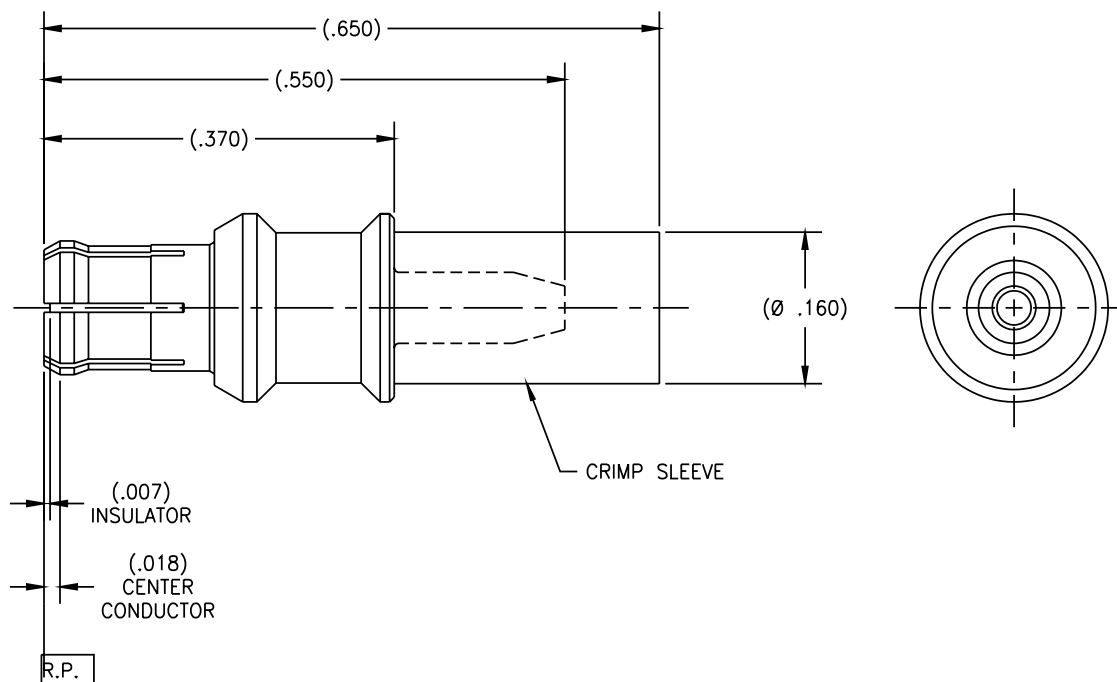
4

3

2

1

REVISIONS				
ZONE	REV	DESCRIPTION	DATE	BY
-	-	-	-	-



DRAWING NO. 3-M690-816-10 REV. -

NOTE(S):

1. MATERIAL(S)

- 1.1 BODY, CENTER CONDUCTOR: BeCu ALLOY PER ASTM B-196.
 1.3 INSULATOR: PTFE PER ASTM D-1710.
 1.4 CRIMP SLEEVE: COPPER TUBING PER ASTM-C-12200.

2. FINISH(ES):

- 2.1 BODY, CENTER CONDUCTOR, CRIMP SLEEVE:
 GOLD PLATE PER ASTM B-488 OVER
 NICKEL PLATE PER AMS-QQ-N-290.
 2.2 INSULATOR: NONE

TOLERANCES AND NOTES
EXCEPT AS NOTED

DIMENSIONS ARE IN INCHES.
 LINEAR .XXX ±.005 ANGULAR ± 1/2°
 FRACTION ± 1/32

- MACHINE FINISH: $\sqrt{R/S}$
- BREAK ALL SHARP EDGES .003 MAX.
- MACHINED FILLETS .005 MAX.
- MACHINED SURFACES SQUARE TO RESPECTIVE AXIS WITHIN .005 INCHES PER INCH.
- MACHINED DIAMETERS CONCENTRIC WITHIN .002 T.I.R.
- DIMENSIONS TO BE MET BEFORE PLATING.
- CHAMFER ALL THREADS 45°.
- THREADS PER H-20
- REMOVE FINISHED EDGES ON TEFLON.
- REMOVE ALL BURRS.

NOTICE

THIS DRAWING EMBODIES A CONFIDENTIAL PROPRIETARY DESIGN ORIGINATED BY TENSOLITE COMPANY AND ALL DESIGN, MANUFACTURING, REPRODUCTION, USE AND SALE RIGHTS REGARDING THE SAME ARE EXPRESSLY RESERVED. IT IS SUBMITTED UNDER A CONFIDENTIAL RELATIONSHIP FOR A SPECIFIED PURPOSE AND THE RECIPIENT AGREES BY ACCEPTING THIS DRAWING NOT TO SUPPLY OR DISCLOSE ANY INFORMATION REGARDING IT TO ANY UNAUTHORIZED PERSON TO INCORPORATE IN OTHER PRODUCTS ANY SPECIAL FEATURES PECULIAR TO THIS DESIGN. ALL PATENT RIGHTS HERETO ARE EXPRESSLY RESERVED BY TENSOLITE COMPANY, LONG BEACH, CALIFORNIA 90815.

SEE NOTE(S)

MATERIAL	SIZE	SPECIFICATION	PROCUREMENT
APPROVAL INITIALS	DATE	TITLE	
DRAWN BY AGK	12.30.02	HIGH PERFORMANCE CABLES & INTERCONNECT SYSTEMS Long Beach, California 90815	
CHECKED		MCX MALE STRAIGHT TO RG-178 CABLE	
QUALITY		SCALE 10/1	SUB-DIRECTORY FILE NAME
ENGINEERING ATV	01.09.03	OL	SHEET 1 of 1
		SIZE C 30990	DRAWING NO. 3-M690-816-10 REV. -

4

3

2

1