



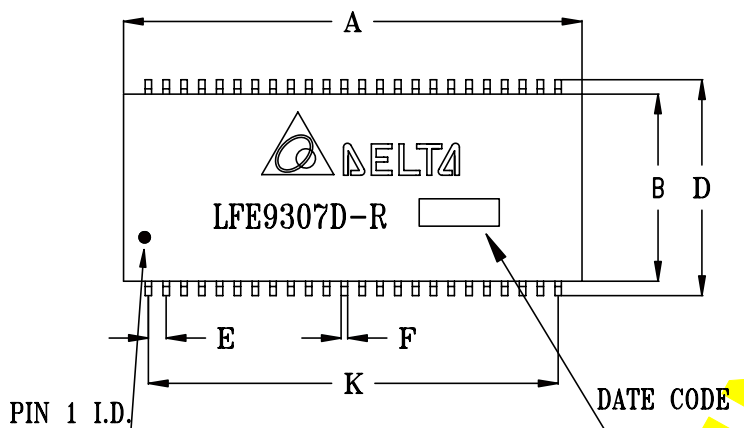
SPECIFICATION FOR APPROVAL

CUSTOMER PART NO.:
 DELTA PART NO.: LFE9307D-R
 PART NAME: 100Base-T for voip

REV.: C

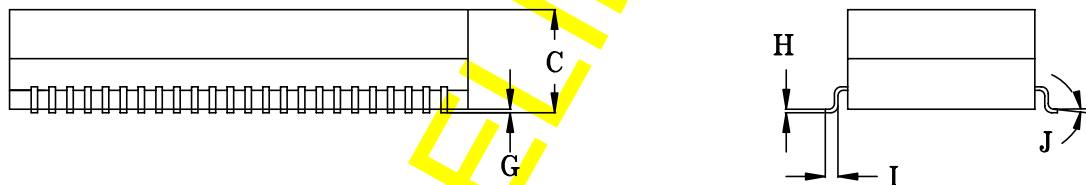


1. MECHANICAL DIMENSIONS :

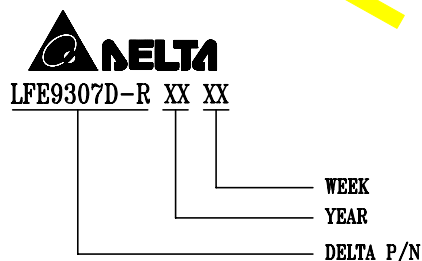


UNIT: mm/inch

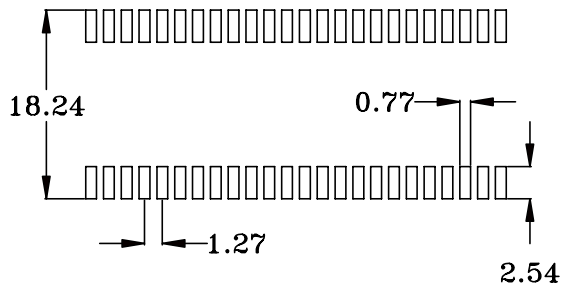
- A = 32.68±0.254/1.287±0.010
- B = 13.34±0.254/0.525±0.010
- C = 7.00±0.254/0.276±0.010
- D = 17.60±0.254/0.693±0.010
- E = 1.27±0.127/0.050±0.005
- F = 0.46±0.127/0.018±0.005
- G = 0.254±0.127/0.010±0.005
- H = 0.254±0.127/0.010±0.005
- I = 1.00±0.127/0.039±0.005
- J = 0~8°
- K = 29.21±0.127/1.150±0.005



2. MARKING AND RECOMMENDED PCB LAYOUT :



* MARKING*



SUGGESTED PAD LAYOUT

* This specification is the proprietary of Delta Electronics, Inc.
 * This specification is only for preliminary review. If formal specification is required, please contact with our local Sales office or Rep.



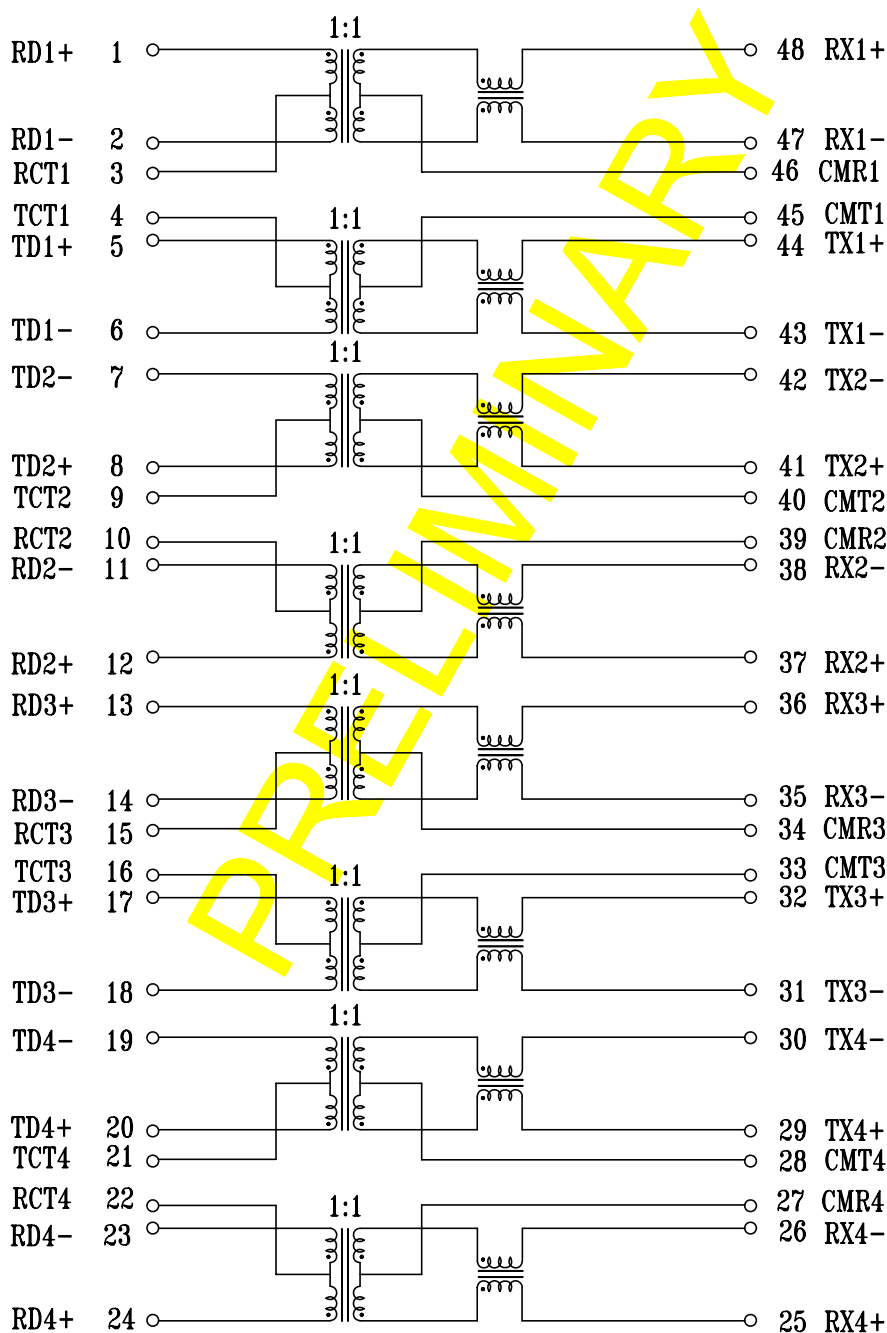
SPECIFICATION FOR APPROVAL

CUSTOMER PART NO.:
DELTA PART NO.: LFE9307D-R
PART NAME: 100Base-T for voip

REV.: C



3. CIRCUIT SCHEMATIC:



* This specification is the proprietary of Delta Electronics, Inc.

* This specification is only for preliminary review. If formal specification is required, please contact with our local Sales office or Rep.



SPECIFICATION FOR APPROVAL

CUSTOMER PART NO.:
DELTA PART NO.: LFE9307D-R
PART NAME: 100Base-T for voip

REV.: C



4. ELECTRICAL CHARACTERISTICS (TEMP: 25°C, HUM: 65% RH)

4-1. INSERTION LOSS: (TX & RX)
1-100MHz -1.2dB MAX.

4-2. RETURN LOSS: (TX & RX)
1-30MHz -16dB MIN.
40MHz -14dB MIN.
50MHz -13dB MIN.
60-80MHz -12dB MIN.
100MHz -10dB MIN.

4-3. CROSS TALK:
1-60MHz -35dB MIN.
60-100MHz -30dB MIN.

4-4. TURNS RATIO: @100KHz
(PRI : SEC) = 1:1±5%

4-5. PRIMARY INDUCTANCE:
@100KHz, 0.1Vrms, 8mA DC BIAS 350uH MIN.

4-6. HI-POT TEST: @60Hz
(PRI TO SEC) : 1500Vrms, 60Sec

PRELIMINARY

* RoHS compliant

* SOLDER WIRE SAC 305 Sn 96.5/Ag 3.0/Cu 0.5

* OPERATE TEMPERATURE RANGE : 0~70°C