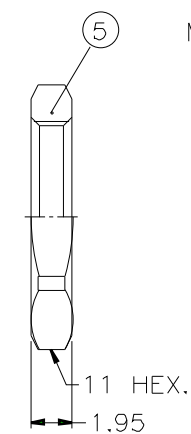
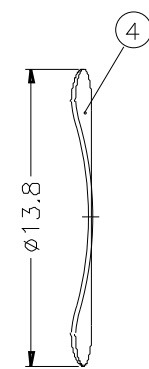
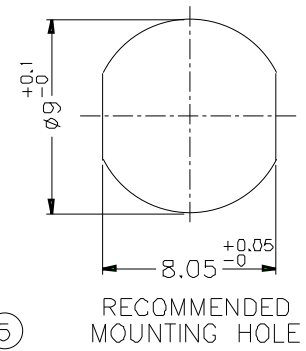
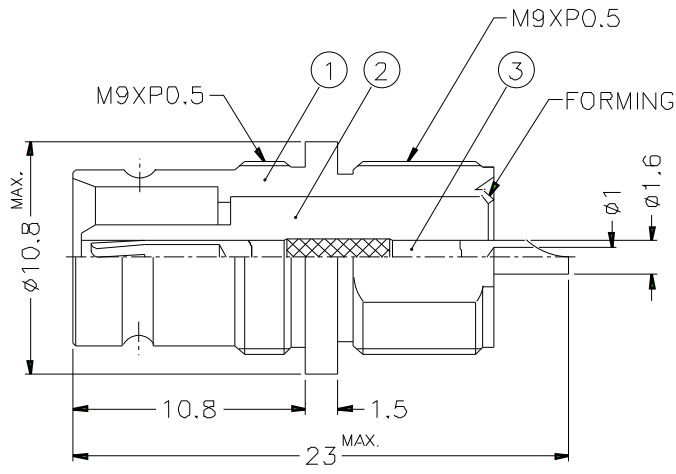


1			2			3			4			5			6			7			8		
REVISIONS																							
ISS	ZONE	DESCRIPTION\PER REQUEST\DATE																					



PANEL THICKNESS: 3.5^{MAX.}
 -PACKAGING IN BAG WITH COMMERCIAL PART NUMBER AND DATE CODE

DIMENSIONS ARE IN MILLIMETERS											PART NO. 156 661 03		<h1>Amphenol</h1> TITLE 1.6/5.6 75Ω BULKHEAD MOUNT RECEPT. JACK																																			
<table border="1"> <tr> <td>5</td><td>NUT</td><td>BRASS</td><td>NICKEL</td><td>1</td><td></td></tr> <tr> <td>4</td><td>WASHER</td><td>BEUCU</td><td>NICKEL</td><td>1</td><td></td></tr> <tr> <td>3</td><td>CONTACT PIN</td><td>BEUCU</td><td>GOLD</td><td>1</td><td></td></tr> <tr> <td>2</td><td>INSULATOR</td><td>TEFLON</td><td>NATURAL</td><td>1</td><td></td></tr> <tr> <td>1</td><td>BODY</td><td>BRASS</td><td>GOLD</td><td>1</td><td></td></tr> </table>											5	NUT					BRASS	NICKEL	1		4	WASHER	BEUCU	NICKEL	1		3	CONTACT PIN	BEUCU	GOLD	1		2	INSULATOR	TEFLON	NATURAL	1		1	BODY	BRASS	GOLD	1		APPROVED	DATE	10-11-01'	
											5	NUT					BRASS	NICKEL	1																													
											4	WASHER					BEUCU	NICKEL	1																													
3	CONTACT PIN	BEUCU	GOLD	1																																												
2	INSULATOR	TEFLON	NATURAL	1																																												
1	BODY	BRASS	GOLD	1																																												
CHECKED	DATE	10-11-01'																																														
DRAWN	DATE	10-11-01'																																														
NO.	DESCRIPTION	MATERIAL	FINISH	Q'TY	DRAWING NO.	SCALE	3/1	ISSUE	A	FILE NO.	DRAWING NO.																																					
											ITEM NO.																																					

1			2			3			4			5			6			7			8		
---	--	--	---	--	--	---	--	--	---	--	--	---	--	--	---	--	--	---	--	--	---	--	--