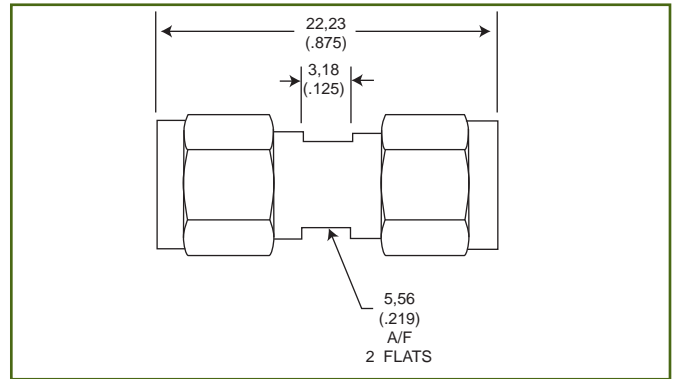


IN-SERIES ADAPTORS

Plug to Plug Adaptor, Straight

Part Number

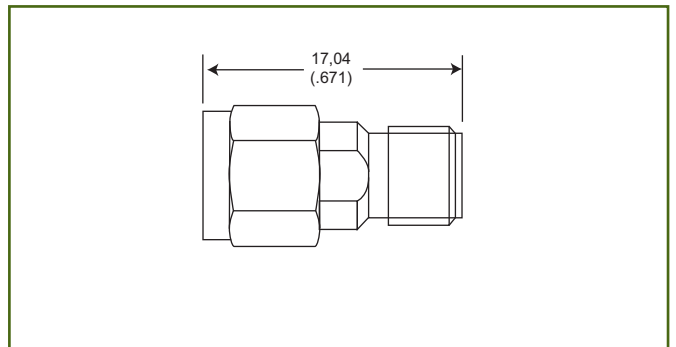
050 - 673 - 0000890



Plug to Jack Adaptor, Straight

Part Number

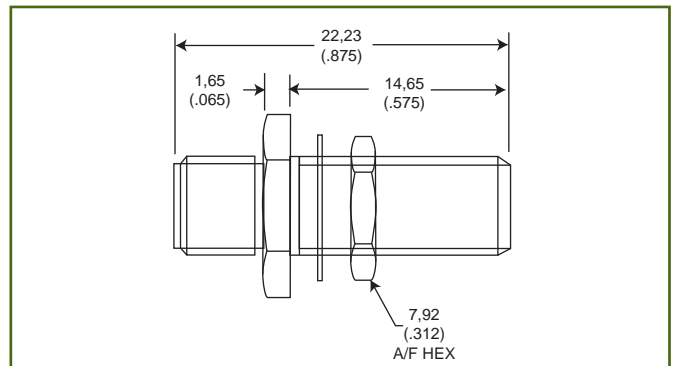
050 - 674 - 0000890



Jack to Jack Adaptor, Bulk Head Mount, Straight

Part Number

050 - 675 - 0000890

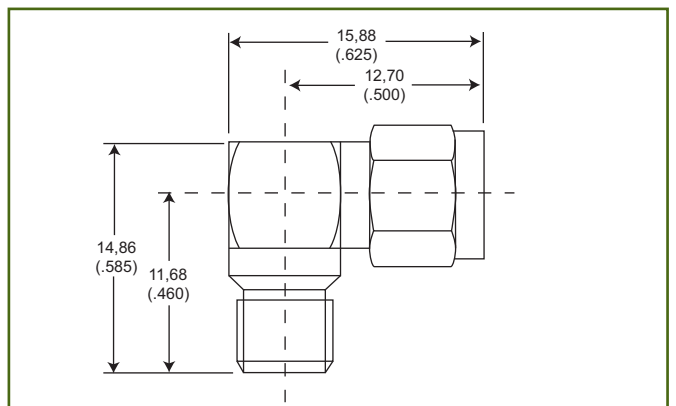


Mounting Plan W (Page 40)

Plug to Jack Adaptor, Right Angle

Part Number

050 - 678 - 0000890



The surface finish on these products is passivated stainless steel. For gold plated versions change last three digits of the the part number from 890 to 310.



Dimensions shown in mm (inch)
Specifications and dimensions subject to change

www.ittcannon.com