

# Product Information

## Video Line Driver IC with Clamp TK15405M/TK15417M

### DESCRIPTION

The TK15405M and the TK15417M is 75Ω video line driver ICs with clamp circuit. The voltage gain  $G_V$  of TK15405M is 6dB and TK15417M is 12dB.

### FEATURES

- Internal Clamp Circuit
- SAG Correcting Function
- Active High On/Off Control (Standby Function)
- Very Small Package SOT23-6

### APPLICATIONS

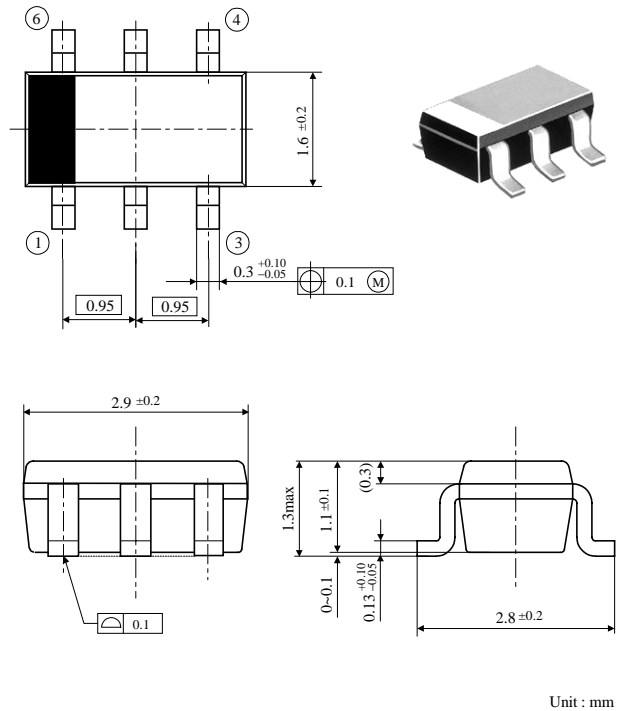
- The Video Systems  
 DSC(Digital Still Camera),  
 CCD Observation Camera, DVD Player/Rewriter  
 TV Monitor, LCD Projector, Video Board,  
 Video Recorder/Player/Camcorder,  
 Portable Video Equipment etc.

### ELECTRICAL CHARACTERISTICS

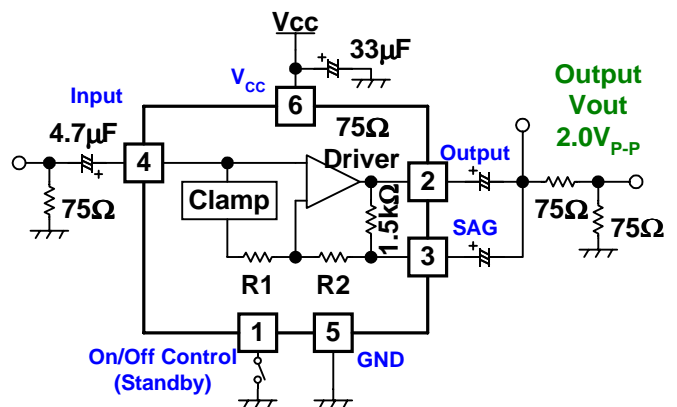
Parameter	Symbol	Value(TYP)		Unit
		15405	15417	
Operating Voltage Range	$V_{OP}$	4.5~5.5		V
Operating Temp. Range	$T_{OP}$	-25~+85		°C
Supply Current	$I_{CC}$	7.5	7.9	mA
Stand-by Supply Current	$I_{CCS}$	24.0	28.0	μA
Clamp Voltage	$V_{cmp}$	1.25	1.28	V
Voltage Gain	$G_V$	5.9	12.0	dB
Differential Gain	DG	-3.0~+3.0		%
Differential Phase	DP	-3.0~+3.0		dB
Frequency response	fr	-0.5		dB

### PACKAGE OUTLINE

■ SOT23-6



### BLOCK DIAGRAM



\*  $G_V$  Program Resistor Value

	R1	R2
TK15405M	5kΩ	5kΩ
TK15417M	2kΩ	6kΩ

⚠ Note that the contents are subject to change or discontinuation without notice. When placing orders, please confirm specifications and delivery condition in writing.