

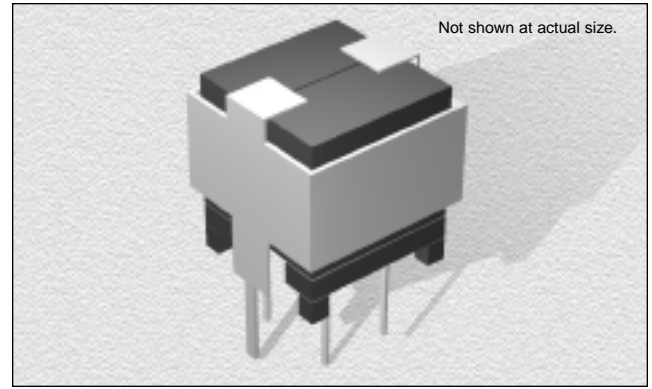
ADSL Magnetics

CT-B2100

APPLICATIONS

- Transformers & Inductors for use with Alcatel's Dynamite ADSL Chipset.
- For Central Office & Customer Premise Applications.

Electrical Specifications @ 25°C

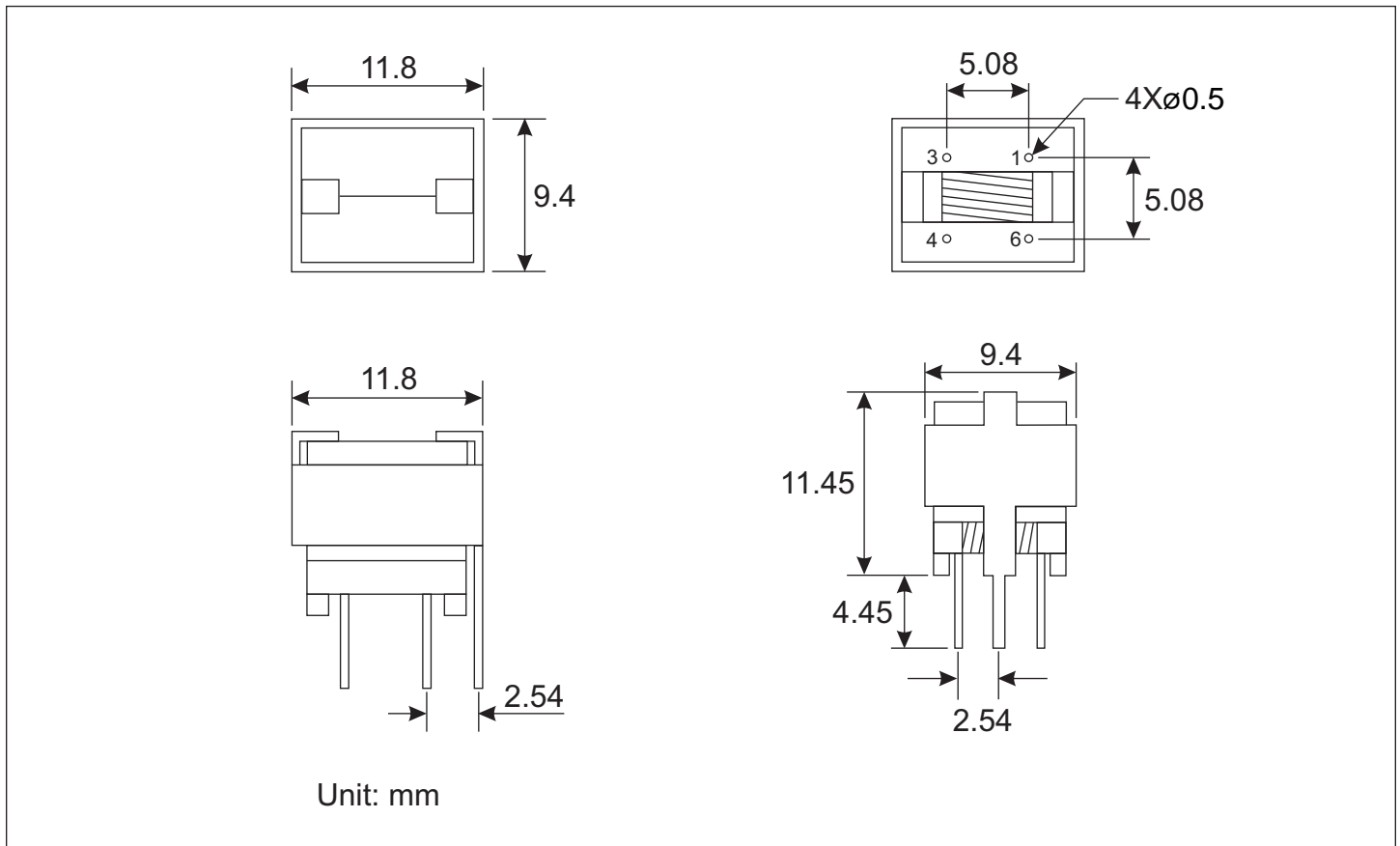


ORDERING INFO

Part Number	Alcatel Part Number	Inductance (μH) (1-3)	Turn Ratio (±2%) (4-6)/(1-3)	DCR (Ω Max.) (4-6)=(1-3)	HI-POT (Vac)	Application
CT-B2100	1AB0236300172	91.0±10%	1.00	0.85	500	Coupled Inductor - CO/CPE

2 Formerly Alcatel part number 1AB 07111 0007

PHYSICAL DIMENSIONS



08.27.03



Manufacturer of Inductors, Chokes, Coils, Beads, Transformers & Toroids

800-684-5322 Inside US 949-453-1811 Outside US

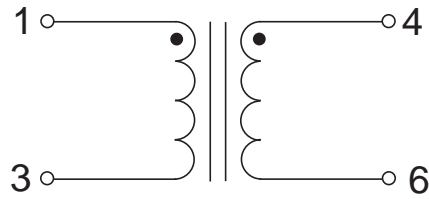
Copyright © 2004 by CT Magnetics, DBA Central Technologies. All rights reserved.

CT Magnetics reserves the right to make improvements or change specifications without notice

ADSL Magnetics - CT-B2100

SCHEMATICS

CT-B2100



08.27.03