



Raychem

TE Internal #: 3804773001

Primary Wire, Spec 99M, 750VAC Primary Wire Voltage Rating,

Operating Temperature Range -55 – 120 °C

[View on TE.com >](#)

Wire & Cable > Primary Wire



Primary Wire Cable Type: **Spec 99M**

Primary Wire Insulation Material: **Radiation-Crosslinked, Modified Polyester**

Primary Wire Voltage Rating: **750 VAC**

Primary Wire Conductor Material: **Tin Plated Copper**

Operating Temperature Range: **-55 – 120 °C**

Features

Product Type Features

Primary Wire Cable Type	Spec 99M
-------------------------	----------

Electrical Characteristics

Primary Wire Voltage Rating	750 VAC
-----------------------------	---------

Body Features

Primary Wire Insulation Material	Radiation-Crosslinked, Modified Polyester
Primary Wire Conductor Material	Tin Plated Copper

Usage Conditions

Operating Temperature Range	-55 – 120 °C
-----------------------------	--------------

Product Compliance

[For compliance documentation, visit the product page on TE.com>](#)

EU RoHS Directive 2011/65/EU	Compliant
EU ELV Directive 2000/53/EC	Compliant
China RoHS 2 Directive MIIT Order No 32, 2016	No Restricted Materials Above Threshold
EU REACH Regulation (EC) No. 1907/2006	Current ECHA Candidate List: JUN 2020 (209) Candidate List Declared Against: JUN 2020 (209) Does not contain REACH SVHC

Halogen Content

Out of Scope - excluded from Halogen requirements

Solder Process Capability

Not applicable for solder process capability

Product Compliance Disclaimer

This information is provided based on reasonable inquiry of our suppliers and represents our current actual knowledge based on the information they provided. This information is subject to change. The part numbers that TE has identified as EU RoHS compliant have a maximum concentration of 0.1% by weight in homogenous materials for lead, hexavalent chromium, mercury, PBB, PBDE, DBP, BBP, DEHP, DIBP, and 0.01% for cadmium, or qualify for an exemption to these limits as defined in the Annexes of Directive 2011/65/EU (RoHS2). Finished electrical and electronic equipment products will be CE marked as required by Directive 2011/65/EU. Components may not be CE marked. Additionally, the part numbers that TE has identified as EU ELV compliant have a maximum concentration of 0.1% by weight in homogenous materials for lead, hexavalent chromium, and mercury, and 0.01% for cadmium, or qualify for an exemption to these limits as defined in the Annexes of Directive 2000/53/EC (ELV). Regarding the REACH Regulation, the information TE provides on SVHC in articles for this part number is based on the latest European Chemicals Agency (ECHA) 'Guidance on requirements for substances in articles' posted at this URL: <https://echa.europa.eu/guidance-documents/guidance-on-reach>

Compatible Parts

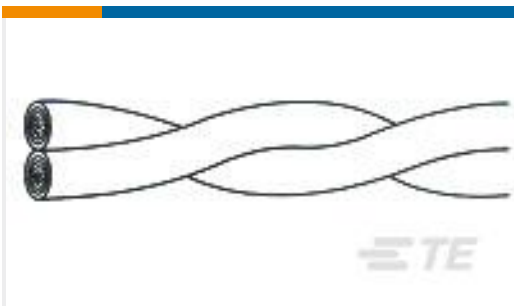


TE Model / Part # 650075-000
D-436-37

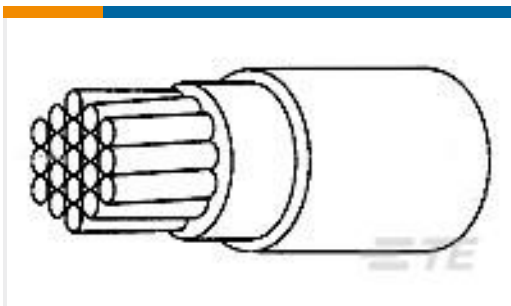
Customers Also Bought



TE Model / Part #CC2691-000
101A062-3-14-0



TE Model / Part #3682043001
44A0821-22-0/9



TE Model / Part #9926893001
99M0111-18-3



TE Model / Part #8574193001
99M0211-18-2



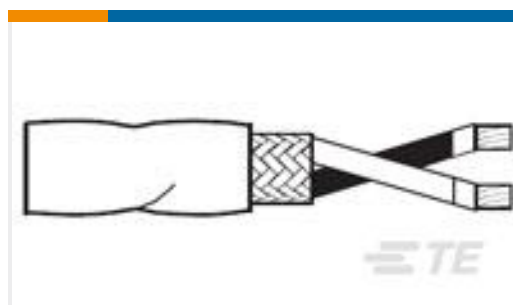
TE Model / Part #A452463001
99M0211-18-2L



TE Model / Part #8971553001
99M1111-18-2L-0



TE Model / Part #4653993001
99M1121-16-0/9-0



TE Model / Part #4856393001
99M1121-24-0/2L-0



Documents

Product Drawings

[99M1111-16-9-0](#)

English

Datasheets & Catalog Pages

[1654025_Sec9_Type99M](#)

English

[Raychem Wire and Cable Quick Reference Guide](#)

English