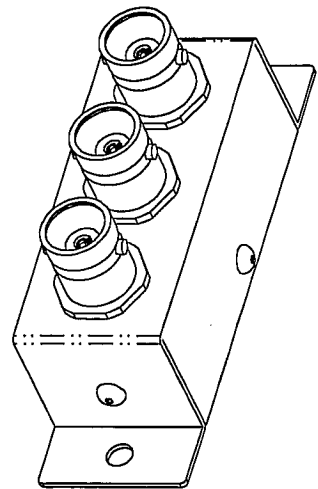
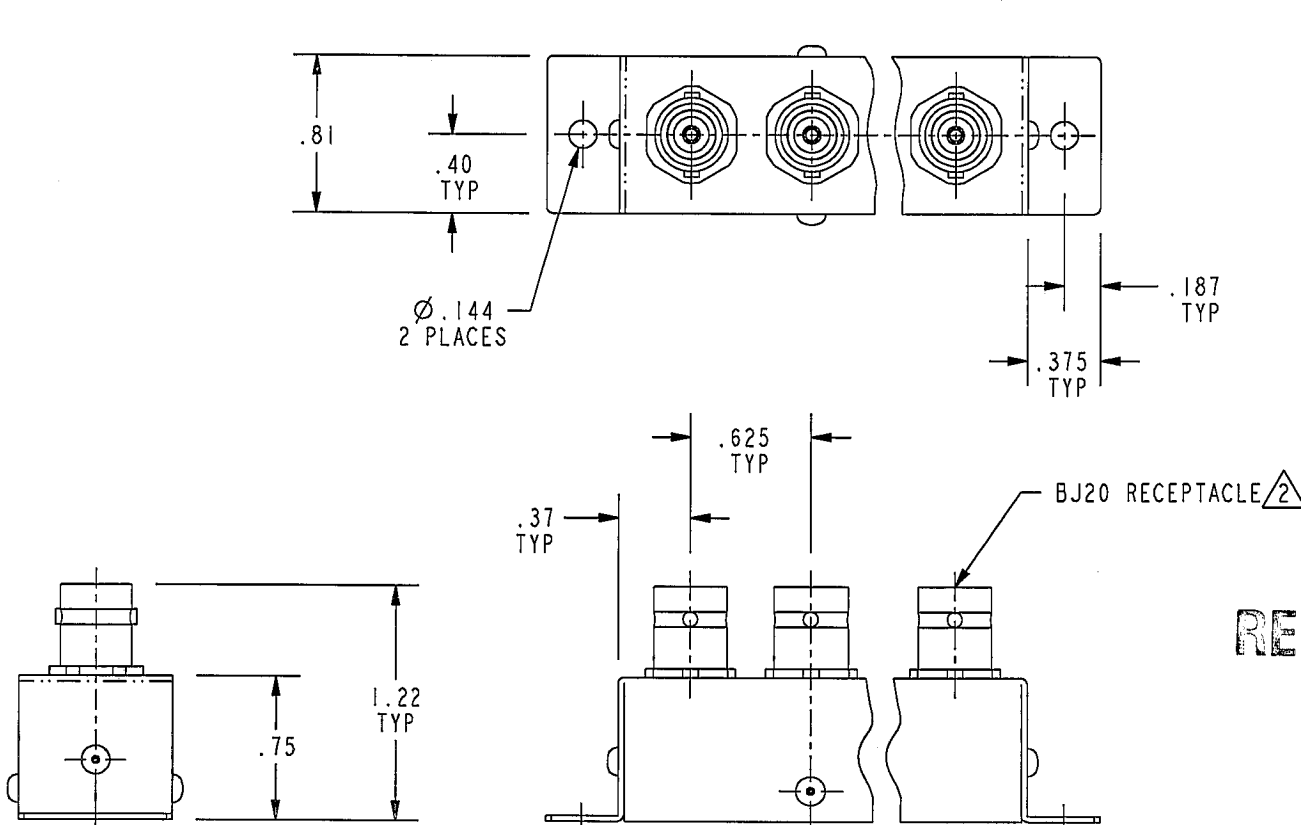


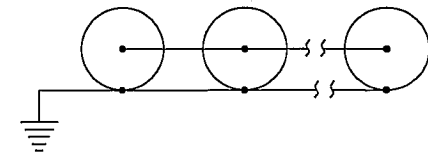
DATA CONTAINED IN THIS DOCUMENT IS PROPRIETARY TO TROMPETER ELECTRONICS INC. AND SHALL NOT BE DISCLOSED, COPIED OR USED FOR PROCUREMENT OR MANUFACTURE WITHOUT EXPRESS WRITTEN PERMISSION.

REVISIONS			
REV	DESCRIPTIONS	DATE	APPROVED
N	REVISED PER ECO 15467	6/9/04	WY



SCALE 1/1

RED INDICATES ORIGINAL



SCHEMATIC  
SCALE 1/1

-3 SHOWN

4. EXAMPLE OF COMPLETE MODEL NUMBER:

MPN-3  
└── NUMBER OF RECEPTACLES  $\triangle$  2

3. EXAMPLE OF COMPLETE PART NUMBER:

1-0241-3  
└── NUMBER OF RECEPTACLES  $\triangle$  2

$\triangle$  NUMBER OF RECEPTACLES AS REQUIRED 2, 3, 4, ETC.

1. FINISH: TFS-1A (NICKEL)

NOTES: UNLESS OTHERWISE SPECIFIED.

INTERPRET DRAWING PER MIL-STD-100. DIMENSIONS ARE IN INCHES AND INCLUDE FINISH THICKNESS UNLESS OTHERWISE SPECIFIED.

TOL: UNLESS SPECIFIED.  
.XX  $\pm$  .02  
.XXX  $\pm$  .010  
ANGLE  $\pm$  1°

**TROMPETER**  
ELECTRONICS, INC.

DRN L.M.	5-24-04	MATERIAL:	TITLE:
CHR	6-3-04	FINISH:	MPN/BNC
DATE	6/9/04	SIZE	A
MANUF	6/9/04	CAGE CODE	14949
APPROVED	6/9/04	DRAWING NO.	1-0241
PROV FILE NO.	1-0241	DATE	10-29-65
NEXT ASSY		SCALE	1/1
		DO NOT SCALE DWG	
		SHEET	IC
		REV.	N