

FEATURES AND SPECIFICATIONS

Features and Benefits

- Wire-to-wire plug for panel-mounted or free-hanging applications
- Available with and without panel mounting ears
- Positive housing locks to mate with Mini-Fit, Jr. receptacle
- Fully isolated terminals to protect contacts from damage
- Uses standard Mini-Fit series terminals

Reference Information

Product Specification: PS-5556-0001
 Packaging: Tray or bag
 UL File No.: E29179
 CSA File No.: LR19980
 TUV License No.: R75142
 Mates With: [5557](#) single row receptacle
 Use With: [5558](#), [30490](#) or 44478 terminals
 Designed In: Millimeters

Mechanical

Contact Insertion Force: 1.5kg max.
 Contact Retention to Housing: 3.0kg min.
 Wire Pull-Out Force: 9.0kg min.
 Insertion Force to PCB: 5.0kg max.
 Mating Force: 0.7kg (1.54 lb) max.
 Unmating Force: 0.35kg (0.7 lb) min.
 Normal Force: 200g min.
 Durability: 30 cycles

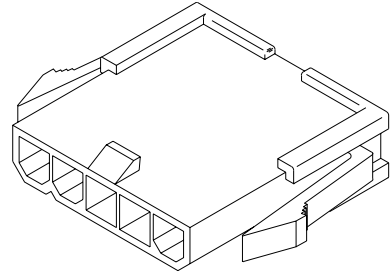
Physical

Housing: 6/6 nylon, UL 94V-2 or 94V-0
 Contact: Brass or Phosphor Bronze
 Plating: Tin, select Gold or overall Gold
 Operating Temperature: -40 to +105°C

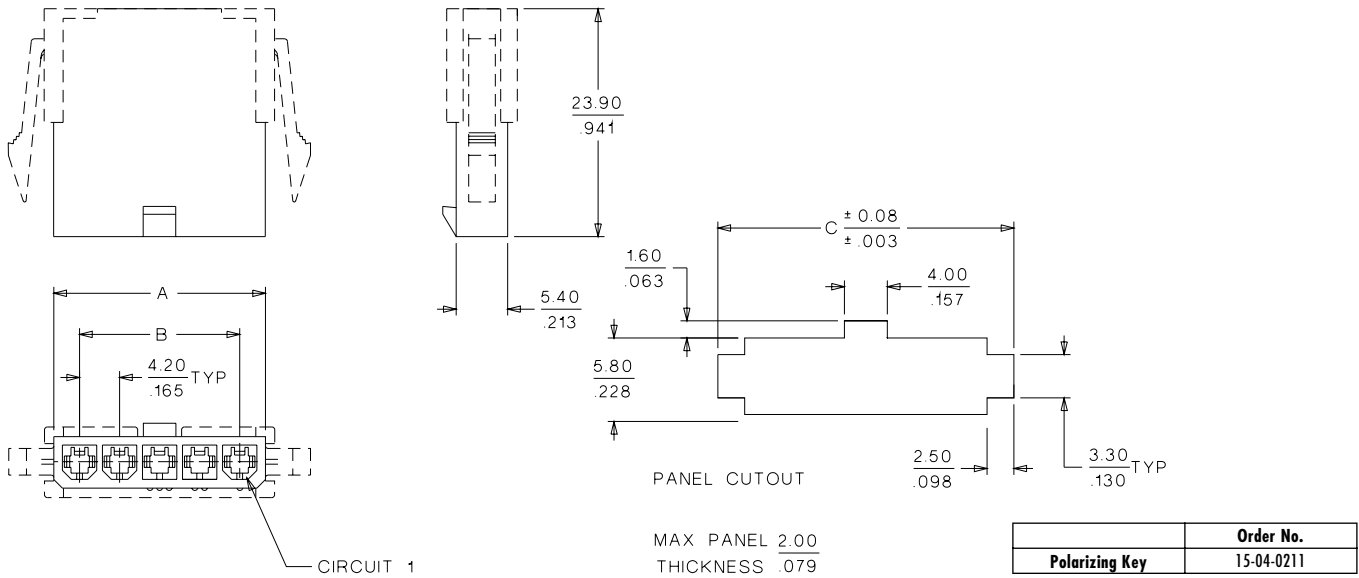
molex® 4.20mm (.165") Pitch Mini-Fit, Jr.™ Plug

5559

Single Row, With and Without Panel Mount Ears



CATALOG DRAWING (FOR REFERENCE ONLY)

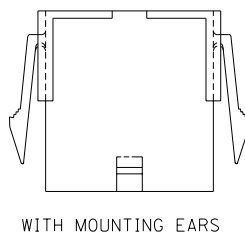
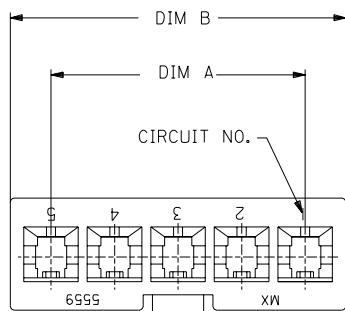


ORDERING INFORMATION AND DIMENSIONS

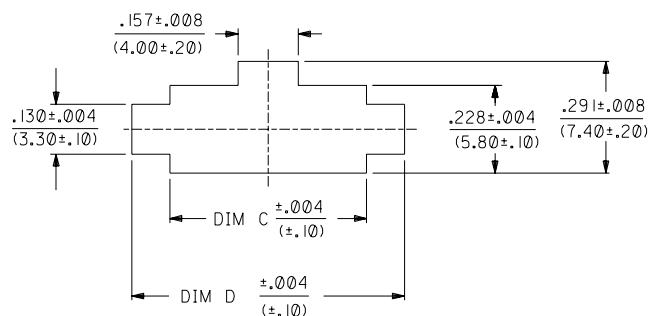
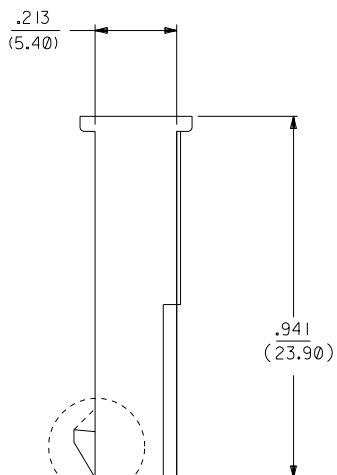
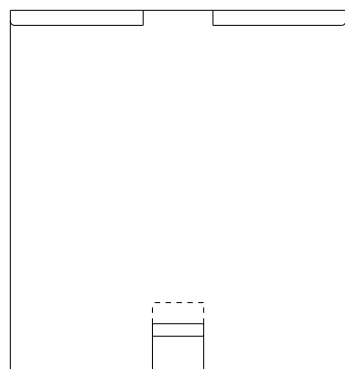
Circuits	Order No.				Dimension		
	Panel Mount		Free Hanging		A	B	C
	94V-2	94V-0	94V-2	94V-0			
3*	• 39-01-4032	• 39-01-4033	• 39-01-4036	• 39-01-4037	13.80 (.543)	8.40 (.331)	19.20 (.756)
4			• 39-01-4046		18.00 (.709)	12.60 (.496)	23.40 (.921)
5	• 39-01-4052	• 39-01-4053	• 39-01-4056	• 39-01-4057	22.20 (.847)	16.80 (.661)	27.60 (1.087)

* US Standard Product, available through Molex franchised distributors

* 3-circuit plug designed for first-mate/last-break applications



CKT SIZE	DIM A	DIM B	DIM C	DIM D
4	.496 (12.60)	.709 (18.00)	.724 (18.40)	.921 (23.40)
5	.661 (16.80)	.874 (22.20)	.890 (22.60)	1.087 (27.60)
6	.827 (21.00)	1.039 (26.40)	1.055 (26.80)	1.252 (31.80)
7	.992 (25.20)	1.205 (30.60)	1.220 (31.00)	1.417 (36.00)
8	1.157 (29.40)	1.370 (34.80)	1.386 (35.20)	1.583 (40.20)
9	1.323 (33.60)	1.535 (39.00)	1.551 (39.40)	1.748 (44.40)
10	1.488 (37.80)	1.701 (43.20)	1.717 (43.60)	1.913 (48.60)
11	1.654 (42.00)	1.866 (47.40)	1.882 (47.80)	2.079 (52.80)
12	1.819 (46.20)	2.031 (51.60)	2.047 (52.00)	2.244 (57.00)

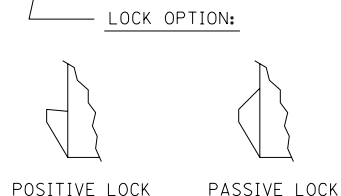
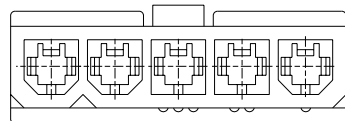


RECOMMENDED PANEL CUT-OUT
(SEE NOTES 5 & 6)

REV PS NOTE
UCP2003-0396
9/3/2002 SAMIEC

NOTES:

1. MATERIAL; BLANK=NYLON 6/6, UL 94V-2, COLOR: NATURAL.
210=NYLON 6/6, UL 94V-0, COLOR: NATURAL.
2. THIS PART MATES WITH RECEPTACLE NO 5557.
3. PART IS DESIGNED IN METRIC.
4. THIS PART IS FOR USE WITH MOLEX MALE TERMINAL NO. 5558-*
5. PANEL MOUNT VERSION IS FOR USE WITH .031/.079/(0.80/2.00) THICK PANELS.
6. PANEL SHOULD BE PUNCHED IN THE DIRECTION OF CONNECTOR INSERTION.
7. PRODUCT SPECIFICATION: PS-5556-001



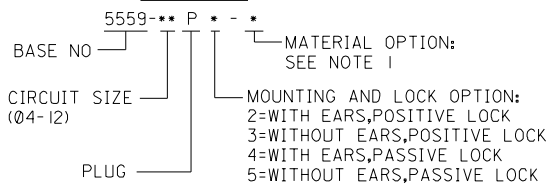
2	F
1	G
MFG.	SH.
REV.	

WITHOUT MOUNTING EARS

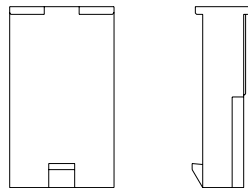
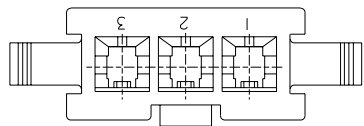
DIMENSIONS SHOWN (METRIC) INCH UNLESS OTHERWISE SPECIFIED TOLERANCES: ANGULAR ± 1/2°		▽ = 0 ▼ = 0 REVISE ONLY ON CAD SYSTEM													
<table border="1"> <thead> <tr> <th></th> <th>INCH</th> <th>METRIC</th> </tr> </thead> <tbody> <tr> <td>3 PLACE</td> <td>± .010</td> <td>---</td> </tr> <tr> <td>2 PLACE</td> <td>± .015</td> <td>± 0.25</td> </tr> <tr> <td>1 PLACE</td> <td>---</td> <td>± 0.38</td> </tr> </tbody> </table>			INCH	METRIC	3 PLACE	± .010	---	2 PLACE	± .015	± 0.25	1 PLACE	---	± 0.38	TITLE MINI-FIT JR SERIES PLUG (SINGLE ROW)	
	INCH	METRIC													
3 PLACE	± .010	---													
2 PLACE	± .015	± 0.25													
1 PLACE	---	± 0.38													
DRAFT WHERE APPLICABLE MUST REMAIN WITHIN DIMENSIONS		SHEET NO. DATE 1 OF 2 2 / 19 / 89													
REV PS NOTE UCP2003-0396 9/3/2002 SAMIEC		PART NO. DRWG. NO. SD-5559-NLP*													
DRWG. BY: KSS CHK'D. BY: RJF APP'D. BY: RAS SCALE:		SEE CHART FILE NAME: 5555SP1X1 THIS DRAWING CONTAINS INFORMATION THAT IS PROPRIETARY TO MOLEX INC. AND SHOULD NOT BE USED WITHOUT WRITTEN PERMISSION.													
LTR.	REVISIONS	LTR.	REVISIONS												

I3		I2		I1		I0		I9		I8		I7		I6		I5559		I4		I3		I2		I1											
PART NO		ENG NO		CKT SIZE		MOUNTING OPTION		LOCK OPTION		MATERIAL SEE NOTE 1		PART NO		ENG NO		CKT SIZE		MOUNTING OPTION		LOCK OPTION		MATERIAL SEE NOTE 1		PART NO		ENG NO		CKT SIZE		MOUNTING OPTION		LOCK OPTION		MATERIAL SEE NOTE 1	
39-01-4042		5559-04P2		4		W/EARS		POSITIVE		94V-2		NO E.D.P.		5559-04P4		4		W/EARS		PASSIVE		94V-2		NO E.D.P.		5559-04P5		4		W/O EAR		PASSIVE		94V-2	
39-01-4046		5559-04P3		4		W/O EAR		POSITIVE		94V-2		NO E.D.P.		5559-04P4-210		4		W/EARS		PASSIVE		94V-0		NO E.D.P.		5559-04P5-210		4		W/O EAR		PASSIVE		94V-0	
39-01-4043		5559-04P2-210		4		W/EARS		POSITIVE		94V-0		NO E.D.P.		5559-05P4-210		5		W/EARS		PASSIVE		94V-0		NO E.D.P.		5559-05P5-210		5		W/O EAR		PASSIVE		94V-0	
39-01-4047		5559-04P3-210		4		W/O EAR		POSITIVE		94V-0		NO E.D.P.		5559-06P4		6		W/EARS		PASSIVE		94V-2		NO E.D.P.		5559-06P5		6		W/O EAR		PASSIVE		94V-2	
39-01-4052		5559-05P2		5		W/EARS		POSITIVE		94V-2		NO E.D.P.		5559-06P4-210		6		W/EARS		PASSIVE		94V-0		NO E.D.P.		5559-06P5-210		6		W/O EAR		PASSIVE		94V-0	
39-01-4056		5559-05P3		5		W/O EAR		POSITIVE		94V-2		NO E.D.P.		5559-07P4		7		W/EARS		PASSIVE		94V-2		NO E.D.P.		5559-07P5		7		W/O EAR		PASSIVE		94V-2	
39-01-4053		5559-05P2-210		5		W/EARS		POSITIVE		94V-0		NO E.D.P.		5559-07P4-210		7		W/EARS		PASSIVE		94V-0		NO E.D.P.		5559-07P5-210		7		W/O EAR		PASSIVE		94V-0	
39-01-4057		5559-05P3-210		5		W/O EAR		POSITIVE		94V-0		NO E.D.P.		5559-08P4		8		W/EARS		PASSIVE		94V-2		NO E.D.P.		5559-08P5		8		W/O EAR		PASSIVE		94V-2	
39-01-4062		5559-06P2		6		W/EARS		POSITIVE		94V-2		NO E.D.P.		5559-08P4-210		8		W/EARS		PASSIVE		94V-0		NO E.D.P.		5559-08P5-210		8		W/O EAR		PASSIVE		94V-0	
39-01-4066		5559-06P3		6		W/O EAR		POSITIVE		94V-2		NO E.D.P.		5559-09P4		9		W/EARS		PASSIVE		94V-2		NO E.D.P.		5559-09P5		9		W/O EAR		PASSIVE		94V-2	
39-01-4063		5559-06P2-210		6		W/EARS		POSITIVE		94V-0		NO E.D.P.		5559-09P4-210		9		W/EARS		PASSIVE		94V-0		NO E.D.P.		5559-09P5-210		9		W/O EAR		PASSIVE		94V-0	
39-01-4067		5559-06P3-210		6		W/O EAR		POSITIVE		94V-0		NO E.D.P.		5559-10P4		10		W/EARS		PASSIVE		94V-2		NO E.D.P.		5559-10P5		10		W/O EAR		PASSIVE		94V-2	
39-01-4072		5559-07P2		7		W/EARS		POSITIVE		94V-2		NO E.D.P.		5559-10P4-210		10		W/EARS		PASSIVE		94V-0		NO E.D.P.		5559-10P5-210		10		W/O EAR		PASSIVE		94V-0	
39-01-4076		5559-07P3		7		W/O EAR		POSITIVE		94V-2		NO E.D.P.		5559-11P4		11		W/EARS		PASSIVE		94V-2		NO E.D.P.		5559-11P5		11		W/O EAR		PASSIVE		94V-2	
39-01-4073		5559-07P2-210		7		W/EARS		POSITIVE		94V-0		NO E.D.P.		5559-11P4-210		11		W/EARS		PASSIVE		94V-0		NO E.D.P.		5559-11P5-210		11		W/O EAR		PASSIVE		94V-0	
39-01-4077		5559-07P3-210		7		W/O EAR		POSITIVE		94V-0		NO E.D.P.		5559-12P4		12		W/EARS		PASSIVE		94V-2		NO E.D.P.		5559-12P5		12		W/O EAR		PASSIVE		94V-2	
39-01-4082		5559-08P2		8		W/EARS		POSITIVE		94V-2		NO E.D.P.		5559-12P4-210		12		W/EARS		PASSIVE		94V-0		NO E.D.P.		5559-12P5-210		12		W/O EAR		PASSIVE		94V-0	
39-01-4086		5559-08P3		8		W/O EAR		POSITIVE		94V-2		NO E.D.P.		5559-12P4-210		12		W/EARS		PASSIVE		94V-0		NO E.D.P.		5559-12P5-210		12		W/O EAR		PASSIVE		94V-0	
39-01-4083		5559-08P2-210		8		W/EARS		POSITIVE		94V-0		NO E.D.P.		5559-12P5-210		12		W/O EAR		PASSIVE		94V-0		NO E.D.P.		5559-12P5-210		12		W/O EAR		PASSIVE		94V-0	
39-01-4087		5559-08P3-210		8		W/O EAR		POSITIVE		94V-0		NO E.D.P.		5559-12P5-210		12		W/O EAR		PASSIVE		94V-0		NO E.D.P.		5559-12P5-210		12		W/O EAR		PASSIVE		94V-0	
39-01-4092		5559-09P2		9		W/EARS		POSITIVE		94V-2		NO E.D.P.		5559-12P5-210		12		W/O EAR		PASSIVE		94V-0		NO E.D.P.		5559-12P5-210		12		W/O EAR		PASSIVE		94V-0	
39-01-4096		5559-09P3		9		W/O EAR		POSITIVE		94V-2		NO E.D.P.		5559-12P5-210		12		W/O EAR		PASSIVE		94V-0		NO E.D.P.		5559-12P5-210		12		W/O EAR		PASSIVE		94V-0	
39-01-4093		5559-09P2-210		9		W/EARS		POSITIVE		94V-0		NO E.D.P.		5559-12P5-210		12		W/O EAR		PASSIVE		94V-0		NO E.D.P.		5559-12P5-210		12		W/O EAR		PASSIVE		94V-0	
39-01-4097		5559-09P3-210		9		W/O EAR		POSITIVE		94V-0		NO E.D.P.		5559-12P5-210		12		W/O EAR		PASSIVE		94V-0		NO E.D.P.		5559-12P5-210		12		W/O EAR		PASSIVE		94V-0	
39-01-4102		5559-10P2		10		W/EARS		POSITIVE		94V-2		NO E.D.P.		5559-12P5-210		12		W/O EAR		PASSIVE		94V-0		NO E.D.P.		5559-12P5-210		12		W/O EAR		PASSIVE		94V-0	
39-01-4106		5559-10P3		10		W/O EAR		POSITIVE		94V-2		NO E.D.P.		5559-12P5-210		12		W/O EAR		PASSIVE		94V-0		NO E.D.P.		5559-12P5-210		12		W/O EAR		PASSIVE		94V-0	
39-01-4103		5559-10P2-210		10		W/EARS		POSITIVE		94V-0		NO E.D.P.		5559-12P5-210		12		W/O EAR		PASSIVE		94V-0		NO E.D.P.		5559-12P5-210		12		W/O EAR		PASSIVE		94V-0	
39-01-4107		5559-10P3-210		10		W/O EAR		POSITIVE		94V-0		NO E.D.P.		5559-12P5-210		12		W/O EAR		PASSIVE		94V-0		NO E.D.P.		5559-12P5-210		12		W/O EAR		PASSIVE		94V-0	
39-01-4112		5559-11P2		11		W/EARS		POSITIVE		94V-2		NO E.D.P.		5559-12P5-210		12		W/O EAR		PASSIVE		94V-0		NO E.D.P.		5559-12P5-210		12		W/O EAR		PASSIVE		94V-0	
39-01-4116		5559-11P3		11		W/O EAR		POSITIVE		94V-2		NO E.D.P.		5559-12P5-210		12		W/O EAR		PASSIVE		94V-0		NO E.D.P.		5559-12P5-210		12		W/O EAR		PASSIVE		94V-0	
39-01-4113		5559-11P2-210		11		W/EARS		POSITIVE		94V-0		NO E.D.P.		5559-12P5-210		12		W/O EAR		PASSIVE		94V-0		NO E.D.P.		5559-12P5-210		12		W/O EAR		PASSIVE		94V-0	
39-01-4117		5559-11P3-210		11		W/O EAR		POSITIVE		94V-0		NO E.D.P.		5559-12P5-210		12		W/O EAR		PASSIVE		94V-0		NO E.D.P.		5559-12P5-210		12		W/O EAR		PASSIVE		94V-0	
39-01-4122		5559-12P2		12		W/EARS		POSITIVE		94V-2		NO E.D.P.		5559-12P5-210		12		W/O EAR		PASSIVE		94V-0		NO E.D.P.		5559-12P5-210		12		W/O EAR		PASSIVE		94V-0	
39-01-4126		5559-12P3		12		W/O EAR		POSITIVE		94V-2		NO E.D.P.		5559-12P5-210		12		W/O EAR		PASSIVE		94V-0		NO E.D.P.		5559-12P5-210		12		W/O EAR		PASSIVE		94V-0	
39-01-4123		5559-12P2-210		12		W/EARS		POSITIVE		94V-0		NO E.D.P.		5559-12P5-210		12		W/O EAR		PASSIVE		94V-0		NO E.D.P.		5559-12P5-210		12		W/O EAR		PASSIVE		94V-0	
39-01-4127		5559-12P3-210		12		W/O EAR		POSITIVE		94V-0		NO E.D.P.		5559-12P5-210		12		W/O EAR		PASSIVE		94V-0		NO E.D.P.		5559-12P5-210		12		W/O EAR		PASSIVE		94V-0	

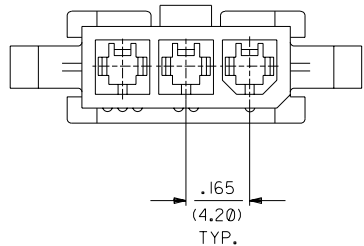
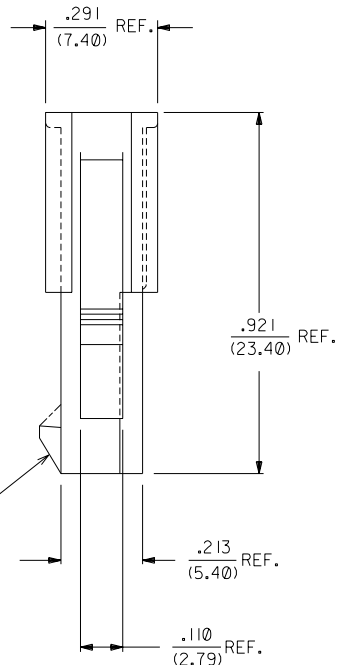
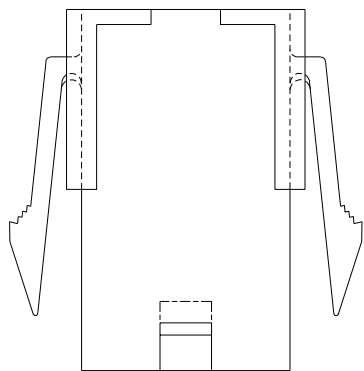
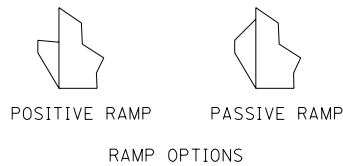
LEGEND



DIMENSIONS SHOWN (METRIC) INCH UNLESS OTHERWISE SPECIFIED TOLERANCES ANGULAR ± 1/2°										<input checked="" type="checkbox"/> = 0 <input type="checkbox"/> = 0 REVISE ONLY ON CAD SYSTEM													
<table border="1"> <thead> <tr> <th></th> <th>INCH</th> <th>METRIC</th> </tr> </thead> <tbody> <tr> <td>3 PLACE</td> <td>± .010</td> <td>---</td> </tr> <tr> <td>2 PLACE</td> <td>± .015</td> <td>± 0.25</td> </tr> <tr> <td>1 PLACE</td> <td>---</td> <td>± 0.38</td> </tr> </tbody> </table>											INCH	METRIC	3 PLACE	± .010	---	2 PLACE	± .015	± 0.25	1 PLACE	---	± 0.38	SEE CHART SHEET NO. 2 DATE 10/13/89	
	INCH	METRIC																					
3 PLACE	± .010	---																					
2 PLACE	± .015	± 0.25																					
1 PLACE	---	± 0.38																					
DRAFT WHERE APPLICABLE MUST REMAIN WITHIN DIMENSIONS										MOLEX INCORPORATED U.S.A. 60532													
DRWG. NO. SD-5559-NLP*										DIV. CP													
FILE NAME 55559P1X2										THIS DRAWING CONTAINS INFORMATION THAT IS PROPRIETARY TO MOLEX INC. AND SHOULD NOT BE USED WITHOUT WRITTEN PERMISSION.													
DRWG. BY: R.J.F. CHK'D. BY: B.A.P. SCALE:										APP'D. BY: R.A.S.													
LTR. REVISIONS LTR. REVISIONS										CP C													



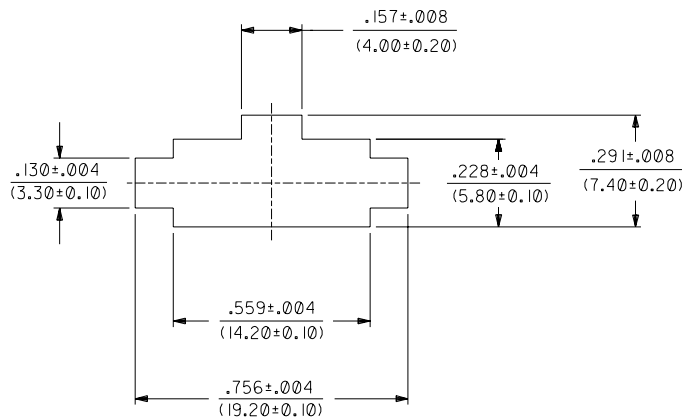
5559-03P3-***
WITHOUT MOUNTING EARS



LEGEND

- 5559-03P*-***
- MAT'L. (SEE NOTE 1)
 - MOUNTING & RAMP OPTION (SEE NOTE 5)
 - PLUG
 - CIRCUIT SIZE
 - BASE NUMBER

RECOMMENDED PANEL CUT-OUT
(SEE NOTES 7 & 8)



NOTES:

1. MATERIAL; BLANK=NYLON 6/6, UL 94V-2, COLOR: NATURAL.
210=NYLON 6/6, UL 94V-0, COLOR: NATURAL.
BL=NYLON 6/6, UL 94V-2, COLOR: DYED BLACK.
2. THIS PART IS FOR USE WITH MOLEX MALE TERMINAL NO. 5558-*
3. THIS PART MATES WITH RECEPTACLE NO 5557.
4. PART IS DESIGNED IN METRIC.
5. MOUNTING & RAMP OPTION: 2 = WITH EARS, WITH POSITIVE RAMP
3 = WITHOUT EARS, WITH POSITIVE RAMP
4 = WITH EARS, WITH PASSIVE RAMP
5 = WITHOUT EARS, WITH PASSIVE RAMP
6. PRODUCT SPECIFICATION: PS-5556-001
7. PANEL MOUNT VERSION IS FOR USE WITH .031/.079/(0.80/2.00) THICK PANELS.
8. PANEL SHOULD BE PUNCHED IN THE DIRECTION OF CONNECTOR INSERTION.

PART NO.	ENG. NO.	CKT. NO.	MOUNT OPTION	MAT'L.	RAMP OPTION
39-01-4032	5559-03P2	3	2	BLANK	POSITIVE
39-01-4033	5559-03P2-210	3	2	210	POSITIVE
39-01-4036	5559-03P3	3	3	BLANK	POSITIVE
39-01-4037	5559-03P3-210	3	3	210	POSITIVE
39-01-6030	5559-03P2-BL	3	2	BL	POSITIVE
39-01-6031	5559-03P3-BL	3	3	BL	POSITIVE
50-29-0088	5559-03P4	3	4	BLANK	PASSIVE
50-29-0089	5559-03P5	3	5	BLANK	PASSIVE
50-29-0091	5559-03P4-210	3	4	210	PASSIVE
50-29-0092	5559-03P5-210	3	5	210	PASSIVE
50-29-0093	5559-03P4-BL	3	4	BL	PASSIVE
50-29-0094	5559-03P5-BL	3	5	BL	PASSIVE

G	ADD PASSIVE RAMP UCP2003-1642 1-29-2003 POLGAR
F	REV. PS NOTE UCP2003-0396 9/3/2002 SAMIEC
EI	ADDED PART NO'S. ECN #U60052 95-07-18 A.GUZIK
E	ADDED NOTES 7&8 ECN #U50196 94-09-12 A.GUZIK
D	REV. DRAWING PER ECR U40402 GEP 3-24-94
C	REDRAWN ON CAD ECR U00510 GEP 7-30-90 RJF

DIMENSIONS SHOWN (METRIC) INCH UNLESS OTHERWISE SPECIFIED TOLERANCES: ANGULAR ± 1/2°		▽ = 0 ▽ = 0 REVISE ONLY ON CAD SYSTEM									
TITLE MINI-FIT JR. SERIES, 3 CKT. PLUG		SHEET NO. DATE 1 OF 1 7/11/90									
<table border="1"> <thead> <tr> <th>INCH</th> <th>METRIC</th> </tr> </thead> <tbody> <tr><td>3 PLACE ± .010</td><td>---</td></tr> <tr><td>2 PLACE ± .015</td><td>± 0.25</td></tr> <tr><td>1 PLACE ---</td><td>± 0.38</td></tr> </tbody> </table>		INCH	METRIC	3 PLACE ± .010	---	2 PLACE ± .015	± 0.25	1 PLACE ---	± 0.38	MOLEX INCORPORATED LITSE, ILL. 60532 U.S.A.	
INCH	METRIC										
3 PLACE ± .010	---										
2 PLACE ± .015	± 0.25										
1 PLACE ---	± 0.38										
DRAFT WHERE APPLICABLE MUST REMAIN WITHIN DIMENSIONS		PART NO. DRWG. NO. SEE CHART SD-5559-03P*									
DRWG. BY: GEP	CHK'D. BY: RJF	FILE NAME: 5559-03P3X1	THIS DRAWING CONTAINS INFORMATION THAT IS PROPRIETARY TO MOLEX INC. AND SHOULD NOT BE USED WITHOUT WRITTEN PERMISSION.								
APP'D. BY: RAS	SCALE: 4 : 1	DRWG. NO. CP	SIZE								