

- 30 dB Circular Polarized Antenna

Features



- 30 dB Circular Polarized Dish Antenna
- 5785-5815 MHz
- Beamwidth: 5°
- Front-to-Back Ratio: 20 dB
- 50W
- VSWR: <1.5:1
- **Note:** This antenna has a built in low noise amplifier that requires a DC voltage to be available on the center conductor of the coaxial cable. It is also static sensitive.

Technical Specifications

Frequency Range	Beamwidth (E and H plane)
5785-5815 MHz	5°
Gain	F/D
30 dBic	0.30
Front-to-Back	Side Lobe Levels
20 dB	<-20 dBc
Bandwidth	Weight
150 MHz (VSWR < 1.5:1)	≈18 lb

Supply Voltage	Input Compression Point
6-12 Vdc provided on center conductor	>-10 dBm at 5.8 GHz
Cascade Gain	Current Consumption
>6.5 dB	<40mA
Cascade Noise Fig.	Attenuation at _c ±500 MHz
<2.5 dB	>-40 dB

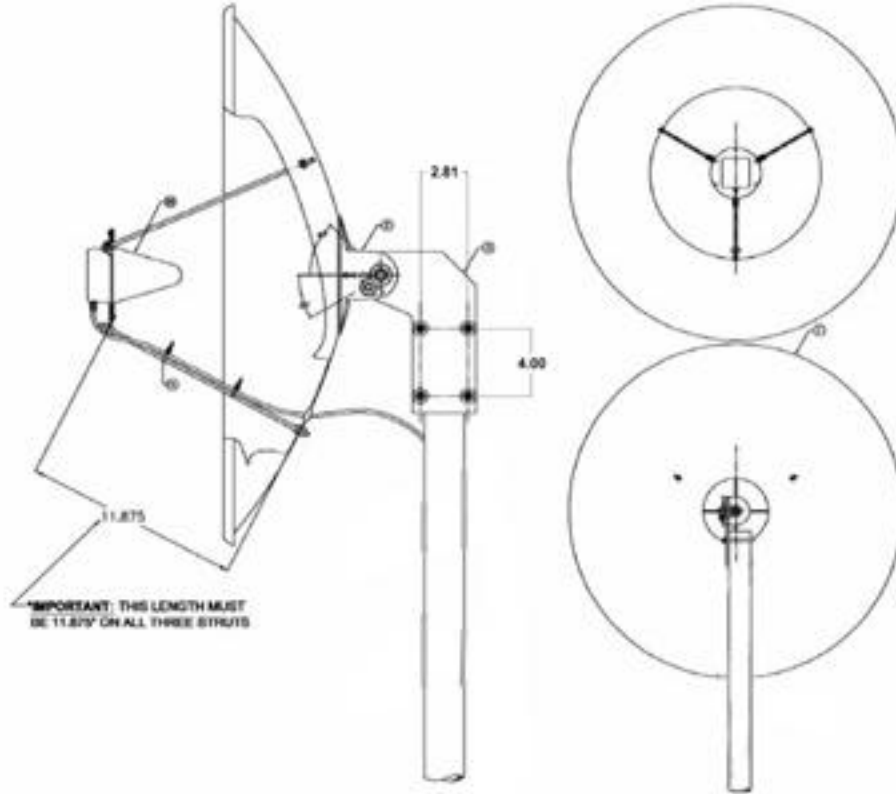
Contact Information

Z-Communications

9939 Via Pasar • San Diego, CA 92126
 TEL: (858) 621-2700 • FAX: (858) 621-2722
 www.zcomm.com • sales@zcomm.com



Mechanical Dimensions



Note: The coaxial cable used with this antenna is an important component of the overall system. RG-5-142 is recommended for most applications. With a maximum length of 30 inches, this will add a loss of approx 1.25 db. Other cables of longer lengths will affect system performance.

Package	Feed: White ABS weatherproof construction Dish: 3003-0 0 0.050" thick aluminum with off white paint.	
Mounting Provisions	Azimuth-Elevation mounting hardware for 2 3/8" diameter steel pole.	
Assembled Dimensions	36" diameter, 15" deep with feed attached.	
Connector	Operational Wind Force	Wind Force @ 100 mph (160 kph)
SMA female bulkhead	85 mph (136 kph)	340 lb at 60°