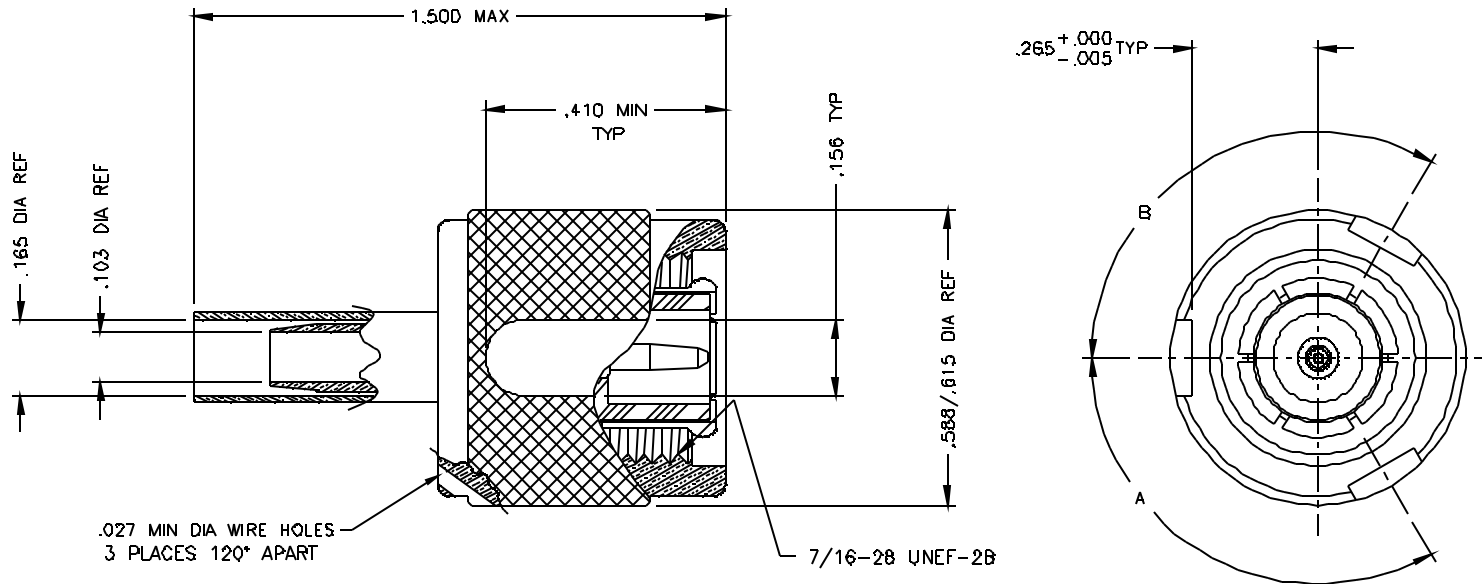
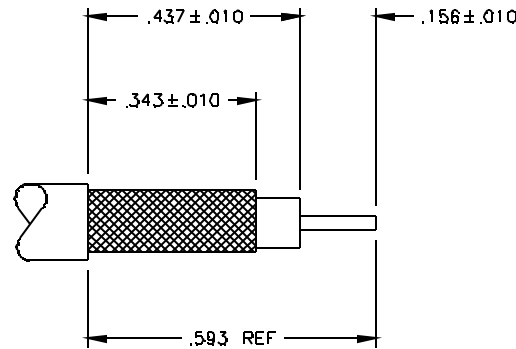


1203-304-A00E-*



NOTES:

- ASSEMBLED CONNECTOR INTERFACES ARE IN ACCORDANCE WITH MIL-STD-348.
- MATERIALS AND FINISHES:
 BODY, NUT: BRASS, SILVER-PLATED
 CENTER CONTACT: BRASS, GOLD-PLATED
 OUTER CONTACT: BeCu, SILVER-PLATED
 RETAINING RING: PHOSPHOR BRONZE
 FERRULE: COPPER, SILVER-PLATED
 INSULATOR: TEFLON PTFE
 GASKET: SILICONE RUBBER
- CONTACT CABLE ENTRY: .039 DIA REF
- RECOMMENDED FERRULE CRIMP TOOL:
 M22520/5-39, CLOSURE B, .160 HEX DIE
- RECOMMENDED CONTACT CRIMP TOOL:
 BASIC TOOL M22520/1-01, SELECTOR No. 5;
 TURRET M22520/1-12 (BLUE).
- DELTA FERRULE No. 61-1000B-53-Ni
 DELTA CONTACT No. 33-10111-4-Au



CABLE TRIMMING DIMENSIONS

8	110°	72°	ST5M1348TS8F
7	120°	96°	ST5M1348TS7F
6	120°	72°	ST5M1348TS6F
5	120°	120°	ST5M1348TS5F
4	72°	144°	ST5M1348TS4F
3	120°	144°	ST5M1348TS3F
2	96°	96°	ST5M1348TS2F
1	72°	120°	ST5M1348TS1F
00	N/A	N/A	ST5M1348TS0F
*	A	B	MCAIR NUMBER

DELTA ELECTRONICS MFG. CORP. Beverly, MA 01915

TITLE TNC POLARIZED CABLE PLUG FOR
 McDONNELL-DUGLAS 5M2869-001

MATERIAL SEE NOTE 2

FINISH SEE NOTE 2

TOLERANCES: UNLESS OTHERWISE SPECIFIED;
 DECIMALS = .005, FRACTIONS = 1/64, ANGLES = 1/2°
 REMOVE ALL BURRS AND SHARP EDGES.

THESE DRAWINGS AND SPECIFICATIONS ARE THE PROPERTY
 OF DELTA ELECTRONICS MFG. CORP. AND SHALL NOT BE
 REPRODUCED, OR COPIED, OR USED AS THE BASIS FOR THE
 MANUFACTURE OR SALE OF APPARATUS OR DEVICES WITH-
 OUT THEIR EXPRESS WRITTEN CONSENT.

A	NOTE 4: 5-38 WAS 5-37, .160 WAS .151; ADDED NOTES 5 AND 6; .165 DIA REF WAS .156	2-10-95		
	OUTLINE	3-12-94		
Alt.	Revisions	Date	ENGR APPD	MFG APPD
FILE NAME: 1203304A00E-000T PLOT @ 4/1				

Drawn by	MCD	Scale	4/1	Chk. by	Mfg. Appd.	Engr. Appd.
5-12-94						
CODE IDENT.-00795		1203-304-A00E-*				