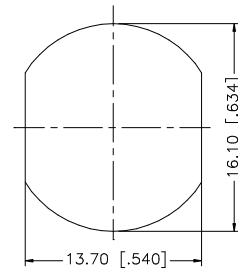
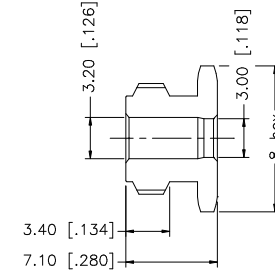
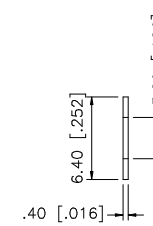
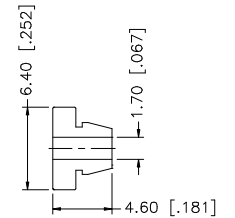
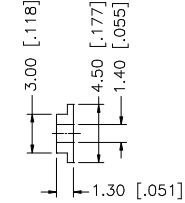
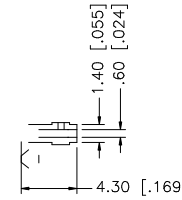
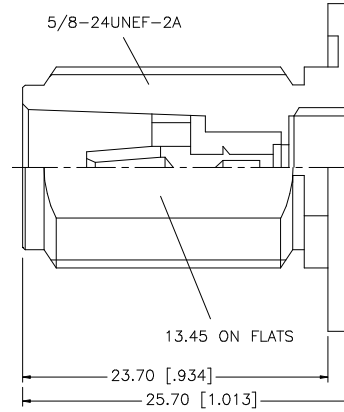
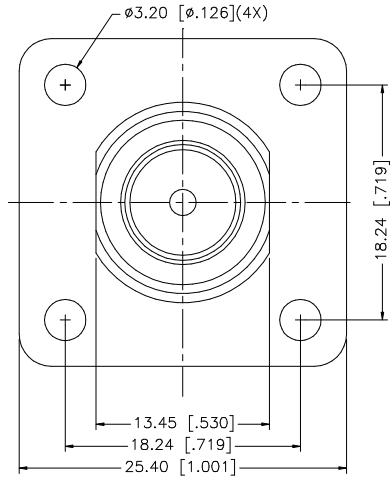
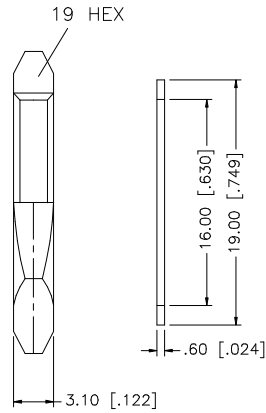
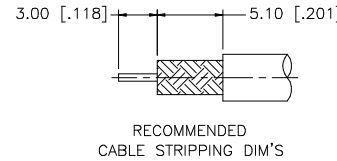


REV.	DATE	DESCRIPTION
NC	05/15/00	INITIAL RELEASE
A	10/19/06	UPDATE DRAWING FORMAT



RECOMMENDED MOUNTING HOLE



RECOMMENDED CABLE STRIPPING DIM'S

8	HEX NUT	BRASS	NICKEL	1
7	WASHER	BRASS	NICKEL	1
6	HEX NUT	BRASS	NICKEL	1
5	WASHER	BRASS	NICKEL	1
4	TOP HAT	BRASS	GOLD	1
3	CONTACT PIN	BRASS	GOLD	1
2	INSULATOR	TEFLON	NATURAL	1
1	BODY	BRASS	NICKEL	1
	DESCRIPTION	MATERIAL	FINISH	QTY

UNLESS OTHERWISE SPECIFIED DIMENSIONS ARE IN MILLIMETERS. DIMENSIONS IN [ ] ARE IN INCHES AND FOR CUSTOMER REFERENCE ONLY.

UNLESS OTHERWISE SPECIFIED TOLERANCES FOR MILLIMETERS ARE:  
0.5 - 8mm ± 0.20mm  
8 - 30mm ± 0.40mm  
30 - 120mm ± 0.50mm

UNLESS OTHERWISE SPECIFIED TOLERANCES FOR INCHES ARE:  
.020 - .315 = ± 0.007"  
.315 - 1.180 = ± 0.015"  
1.180 - 4.724 = ± 0.020"

DO NOT SCALE DRAWING

APPROVALS	DATE
DRAWN G.R.S.	10/19/06
CHECKED	
ISSUED	
SHEET 1 OF 1	
CAD FILE	C:/172/172265.DWG

# Amphenol Connex

PART DESCRIPTION			
N CLAMP PANEL JACK (RG-174/U, 188/U, 316/U CABLE)			
PART NO.		172265	
DWG. NO.	172265.DWG	REV.	A
SIZE	A	SCALE	NA