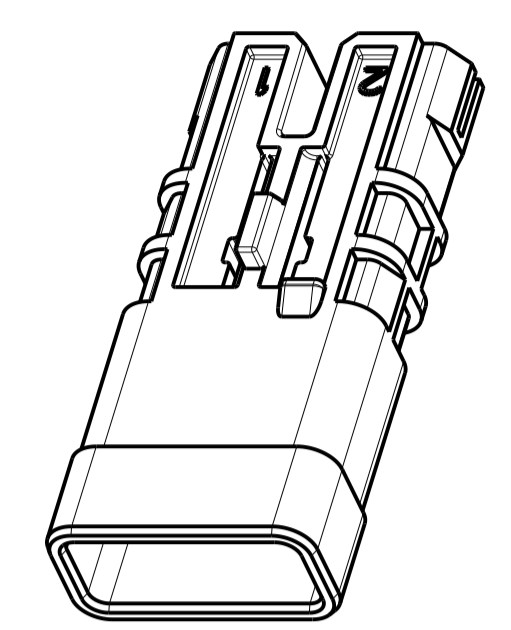
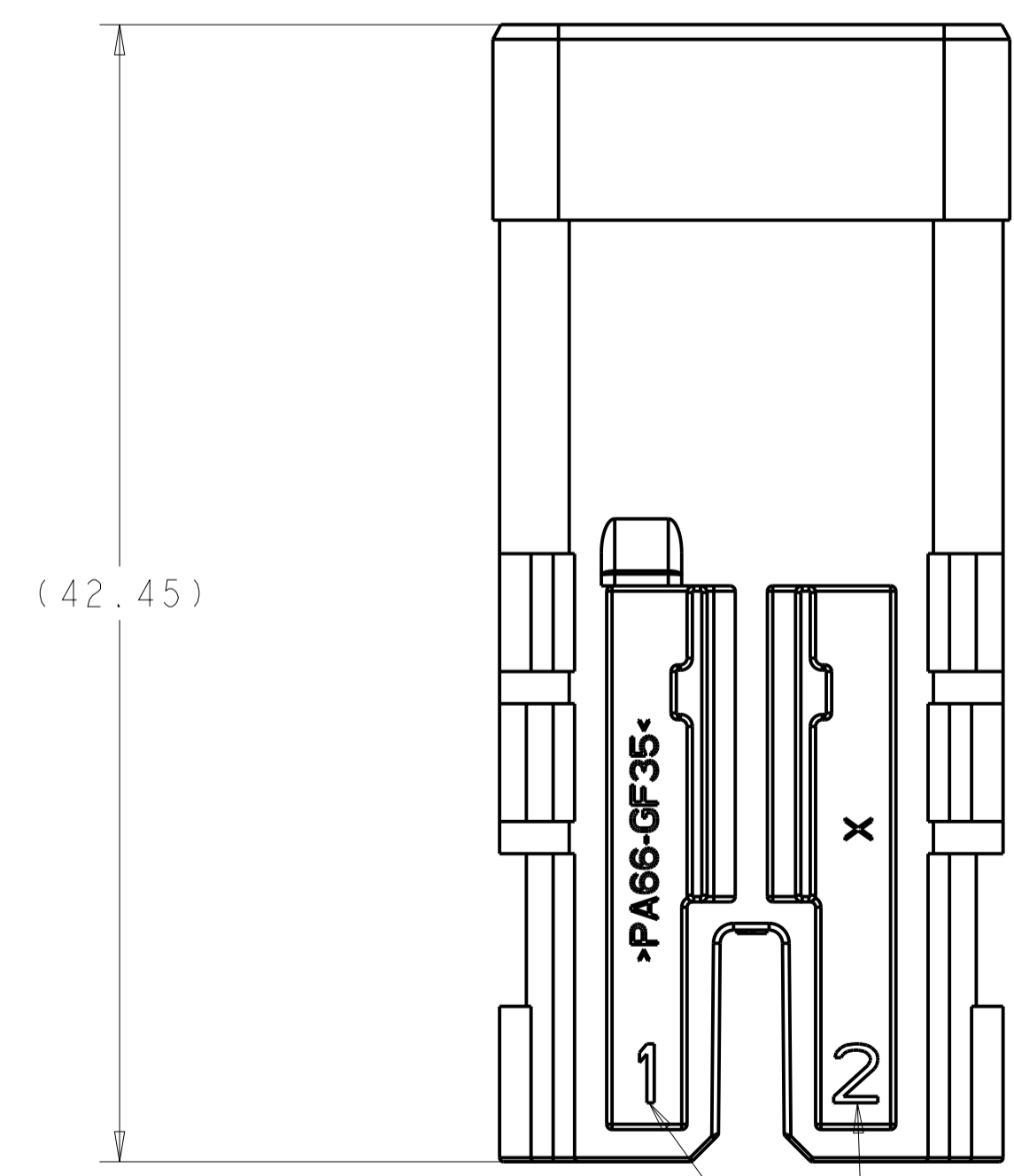
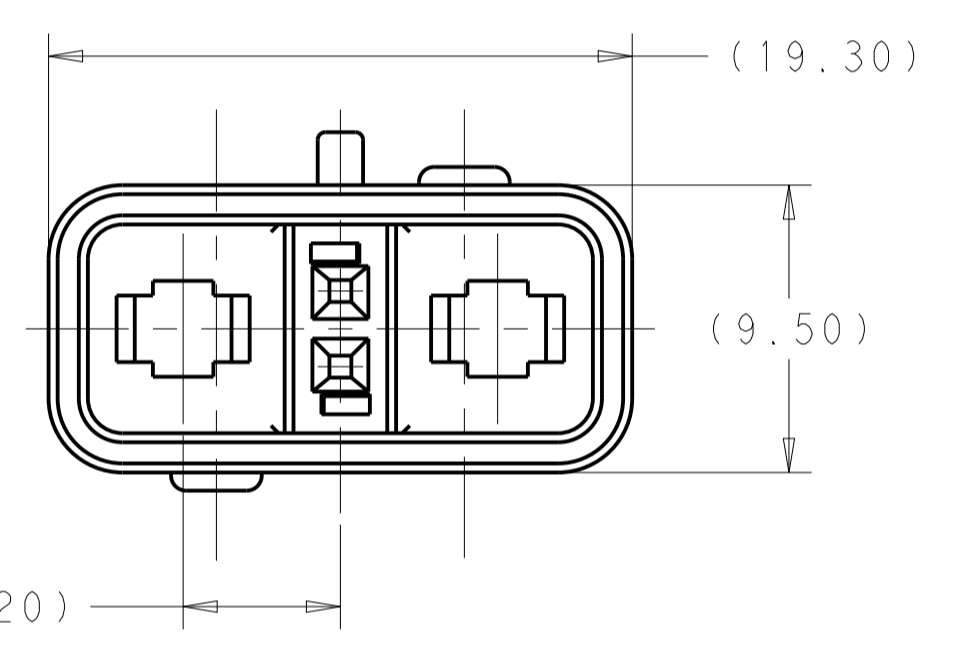
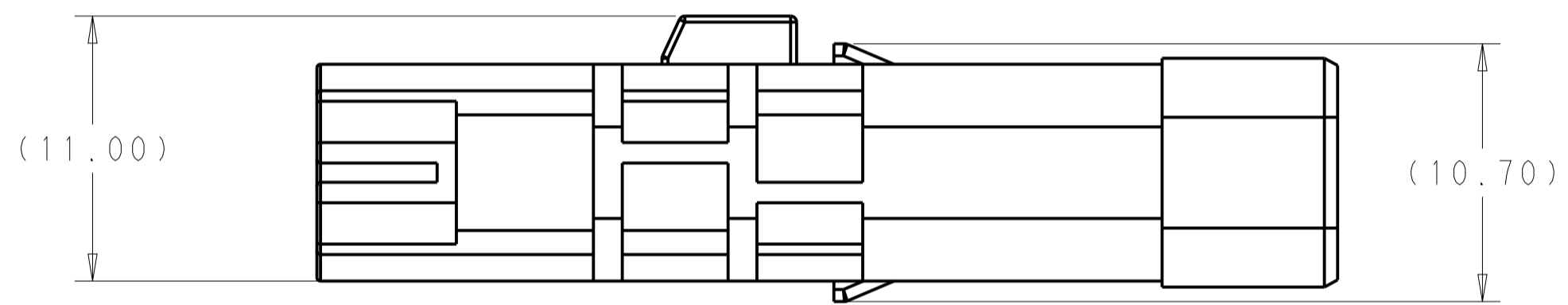
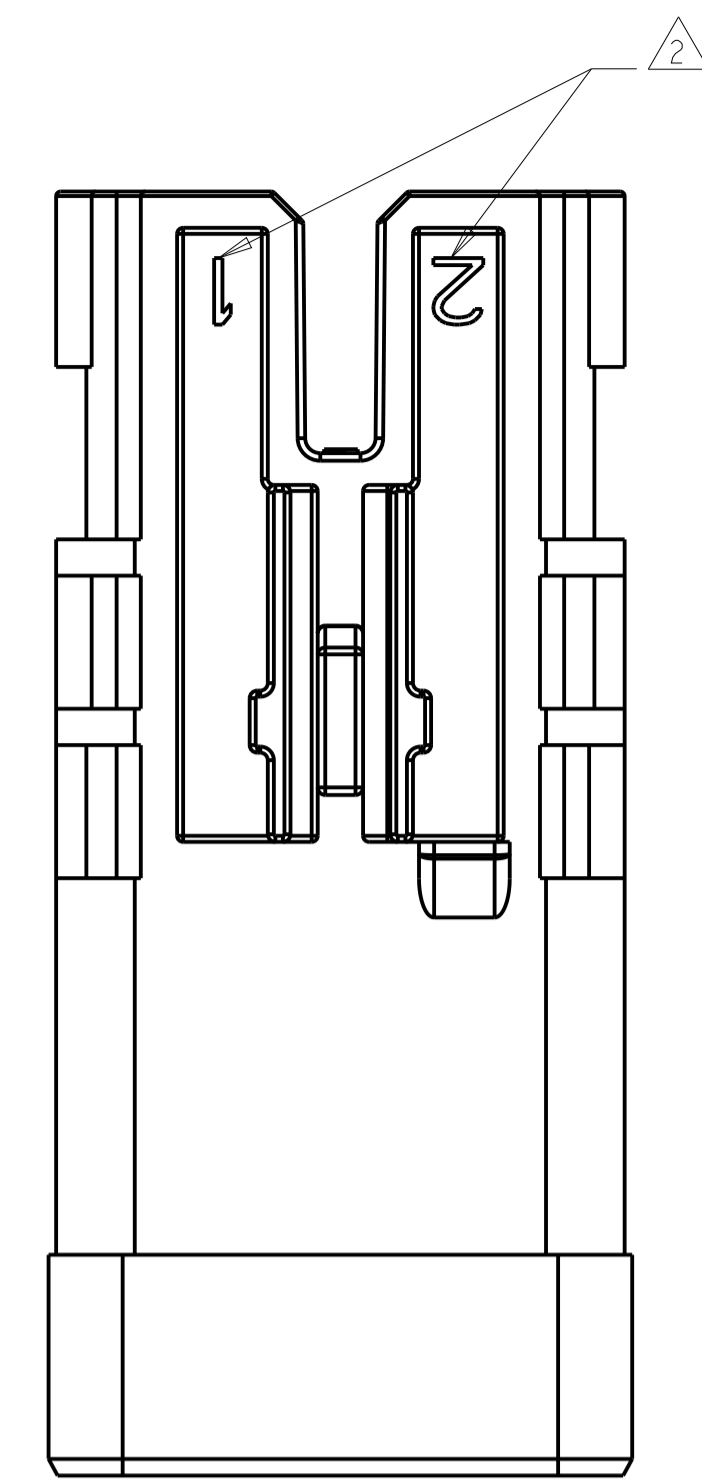


REVISIONS				
P.	LTR.	DESCRIPTION	DATE	APVD.
A		ECO-14-005495	10APR2014	AD AD



SCALE 2:1



△ MATERIAL:
 TYPE: PA66 33%GF
 COLOR: BLACK

△ CIRCUIT ID

INNER HOUSING, PASS THRU HVIL	2103170-1
DESCRIPTION	PART NO.

THIS DRAWING IS A CONTROLLED DOCUMENT.		OWN A DE CHAZAL CHK A DE CHAZAL	07DEC2011 07DEC2011	NAME INNER HOUSING, CAP, HVA280-2PHM	
DIMENSIONS:		TOLERANCES UNLESS OTHERWISE SPECIFIED:		PRODUCT SPEC	
mm	0 PLC ±0.2	FINISH		APPLICATION SPEC	
	1 PLC ±0.10	MATERIAL		SIZE CAGE CODE DRAWING NO	
	2 PLC ±0.050	FINISH		RESTRICTED TO	
	3 PLC ±0.0001	MATERIAL		A 100779 C=2103170	
	4 PLC ±0.0001	FINISH		WEIGHT	
	ANGLES ±1°	MATERIAL		CUSTOMER DRAWING	
		MATERIAL		SCALE 4:1 SHEET 1 OF 1 REV A	

Mouser Electronics

Authorized Distributor

Click to View Pricing, Inventory, Delivery & Lifecycle Information:

[TE Connectivity:](#)

[2103170-1](#)