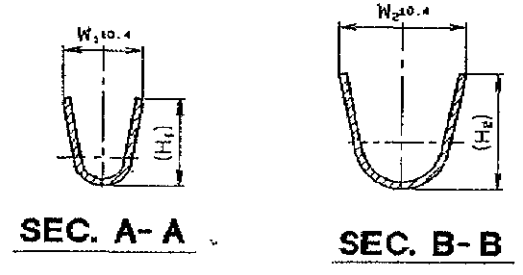
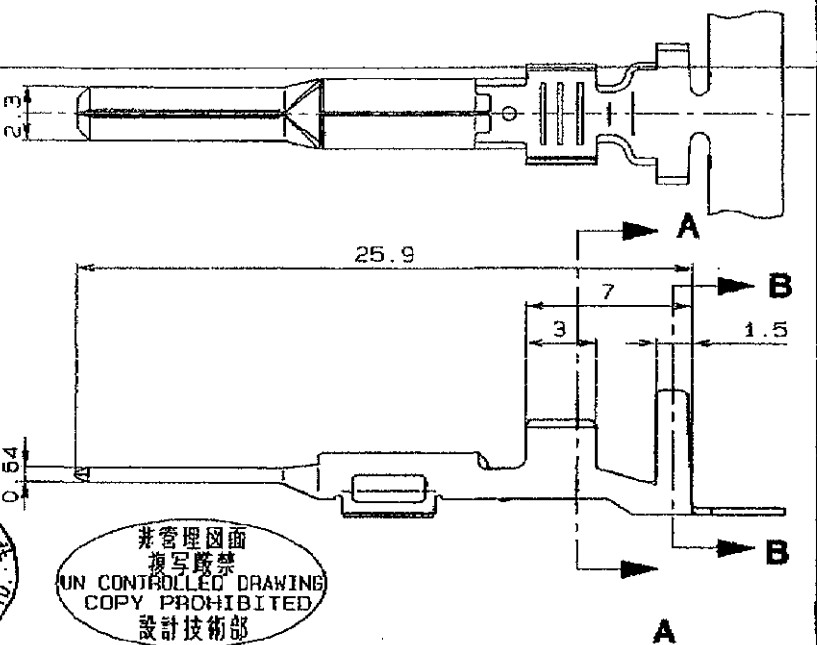


DWG STATUS				ZONE	REVISION HISTORY	AUTH	DR	APVD1	APVD2
DATE	STG	REV	N/P	CHG					
28NO02	R	01	-	-	CLEARED REV COL; PG001355 - WAS SEPARATE DWG & ADDED NOTE 4; 15443213 - RELEASED; ALL PARTS - DWG UPDATED TO LATEST PRINT	234125	CMZ	CMZ	VC

名 称	部品番号	適用電線サイズ	W <sub>1</sub>	H <sub>1</sub>	W <sub>2</sub>	H <sub>2</sub>
TERMINAL S SIZE	8100-0457	CAVUS 0.3~AEX 0.5 EQUIVALENT	2.6	2.5	5.2	4.0
TERMINAL M SIZE	8100-0458	CAVUS 0.5~AEX 1.25 EQUIVALENT	3.3	3.1	5.3	4.1
TERMINAL L SIZE	8100-0459	AVSS 2 EQUIVALENT	4.3	4.7	6.0	5.8



非管理図面  
複写禁止  
UN CONTROLLED DRAWING  
COPY PROHIBITED  
設計技術部

ターミナル Lサイズ	8100-0459	TSホウ090タックM-L
TERMINAL L SIZE	8100-0459	TER WTS090M-L
ターミナル Mサイズ	8100-0458	TSホウ090タックM-M
TERMINAL M SIZE	8100-0458	TER WTS090M-M
ターミナル Sサイズ	8100-0457	TSホウ090タックM-S
TERMINAL S SIZE	8100-0457	TER WTS090M-S

材料 MATERIAL	厚さ THICKNESS	部品名 部品名	上表参照
1.1 (SEE ABOVE TABLE)	0.4	部品名	SEE ABOVE TABLE
仕上げ FINISH	尺 寸 SCALE	参考番号 REFERENCE NO.	S-168955
TIN PLATING	5/1	部品番号 PART NO.	主表参照 (SEE ABOVE TABLE)
色 相 COLOR	質量 MASS	名 称 DESCRIPTION	090 型防水オスターミナル
	1.1 (SEE ABOVE TABLE)		090 SEALED MALE TERMINAL
承認 APPROVED	検 査 CHECKED	設 計 DESIGNED	製 図 DRAWN
1998/12/23	1998/12/22	1998/12/18	1998/12/18
S. YAMADA	S. WAKATA	H. MATSUNAGA	K. HAGINO
Sumitomo Wiring Systems, Ltd. A3			

一般公差等		公差
以上	未満	
10	50	±0.2
10	50	±0.3

- NOTES
- REF SUMITOMO P/N SEE CHART
  - APPROVED FOR CUSTOMERS LISTED ON RESTRICTED USE, (SEE TROD01).
  - DELPHI PACKARD ELECTRIC SYSTEMS IS NOT RESPONSIBLE FOR DESIGN CONTROL OF PURCHASED "OFF SHELF" COMPONENTS.
  - (\*) DENOTES PART THAT IS CANDIDATE TO CANCELLATION.

15443213	01	-	-	8100-0459
12105385	A1	-	-	8100-0458
12105306	A1	-	-	8100-0457
PG001355	01	AA	-	8100-0459
PART NO	REV	N/P	STATUS	REF SUMITOMO P/N

発行番号: 1/1  
出力先: 技術企画部

DWG TYPE	PART DRAWING
STYLE	
VOLUME (CM <sup>3</sup> )	SEE DWG
ROUTING	6901
DISTR CODE	D
REFERENCE	
DO NOT SCALE	CAD SE SOLID EDGE

**DELPHI**  
DELPHI PACKARD ELECTRIC SYSTEMS  
WARREN, OH

DR	H. HOKE	DATE	11FE91
APVD1	H. HOKE		11FE91
APVD2	JANET HICKO		13FE91
APVD3			
APVD4			
APVD5			

SUBSTANCES OF CONCERN AND RECYCLED CONTENT PER DELPHI A 10949001

MATERIAL: SEE DWG

DRAWING NAME: TAXI TERM M

DRAWING NUMBER: 12105679

SIZE	A1	SCALE	NONE	FRAME NO	1 OF 1	SHEET NO	1 OF 1	STG	R	REV	01	N/P	-
------	----	-------	------	----------	--------	----------	--------	-----	---	-----	----	-----	---